

# Assembly Instruction for WARDROBE CHEST WITH 2 WICKER BASKETS 280-3-B-WR / 280-7-B-WR

**⚠ WARNING: To avoid serious personal injury:**

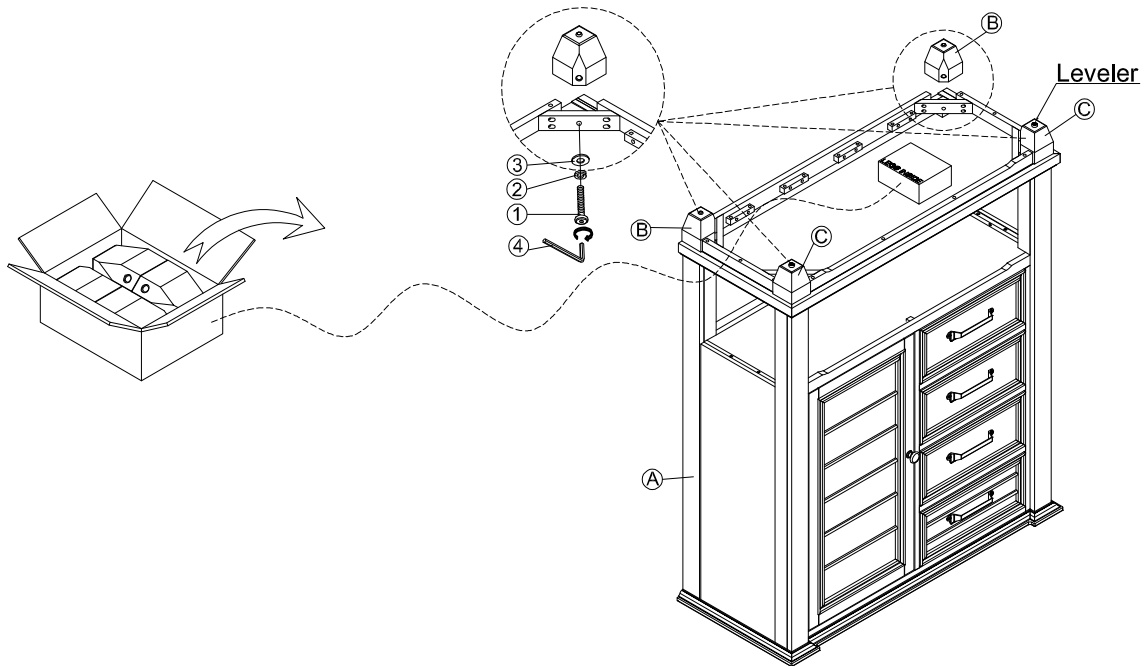
- Carefully and strictly follow assembly instructions. Improper assembly of furniture can result in structural failure, instability of the product, or tip-over.
- Monitor and carefully control the assembly components. These include small parts and hardware that may present a choking hazard to small children. Bob's furniture should be assembled only by responsible adults and children should not be involved in the assembly process.
- Where provided, wall mounting hardware should always be used as prescribed in these instructions to anchor furniture to walls. Proper use of the wall mounting hardware can significantly reduce the potential for furniture tip-over and crushing injuries.

PART LIST			
NO.	PART DESC	CODE.	Q'TY
A	Door Chest	280-3-B-WR 280-7-B-WR	1
B	Back Leg	P280-3-B-DRLEG2 P280-7-B-DRLEG2	2
C	Front Leg	P280-3-B-DRLEG1 P280-7-B-DRLEG1	2

HARDWARE LIST			
NO.	HARDWARE DESC	CODE.	Q'TY
1	Allen bolt (Ø5/16 *2")	P280-B-CGHW	4
2	Spring washer (Ø5/16")		4
3	Flat washer (Ø5/16 *3/4")		4
4	Allen key (Ø1/8")		1
5	ANTI - TIP KIT - METAL (SET)	P-ATKNMC-M	1

**⚠ Only tighten all bolts when all bolts aligned with bolt inserts.**

**STEP 1**



**COMPLETED**

