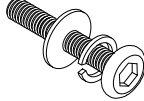
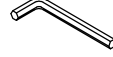
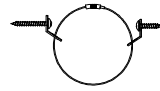

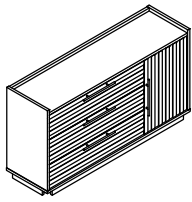
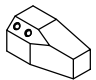
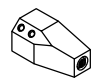
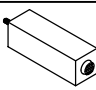


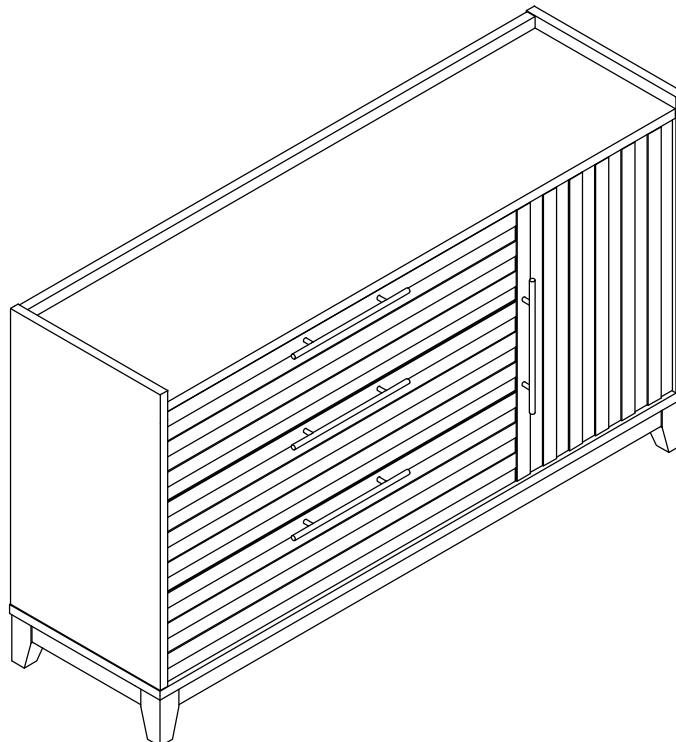
Assembly Instruction Instructions d'assemblage

20083346003 - DRESSER

WARNING: To avoid alignment issue, please don't tighten the screws unless all leg are adjusted at the same level.

HARDWARE LIST/ LISTE DE QUINCAILLERIE		QTY' / QTÉ
A	Allen bolt Ø1/4"x20x2"	 8 pcs
	Washer Ø1/4"xØ5/8"x1/16"	
	Spring washer Ø1/4"xØ7/16"x1/16"	
B	L Wrench 1/4"	 1 pc
C	Furniture tipping restraint	 1 set
TOOL REQUIRED (NOT PROVIDED): PHILLIPS SCREWDRIVER 		

PART LIST / LISTE DE PIÈCES			QTY
1	DRESSER		1 pc
2	BACK LEG		2 pcs
3	FRONT LEG		2 pcs
4	LEG MIDDLE		1 pc



ASSEMBLY COMPLETED

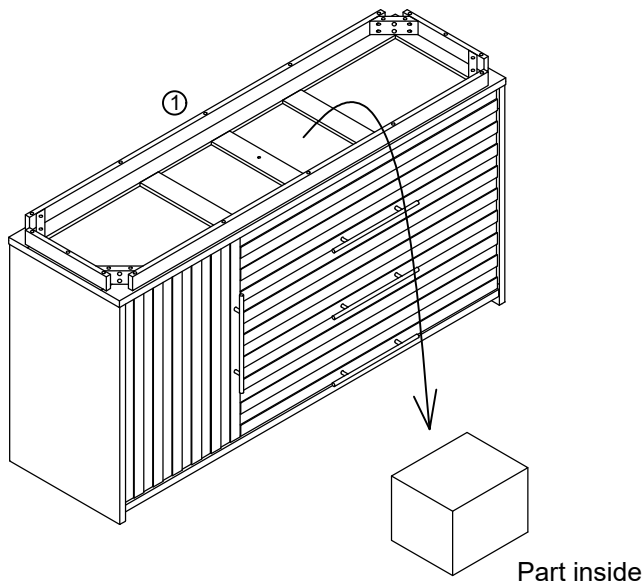
Assembly Instruction Instructions d'assemblage

20083346003 - DRESSER

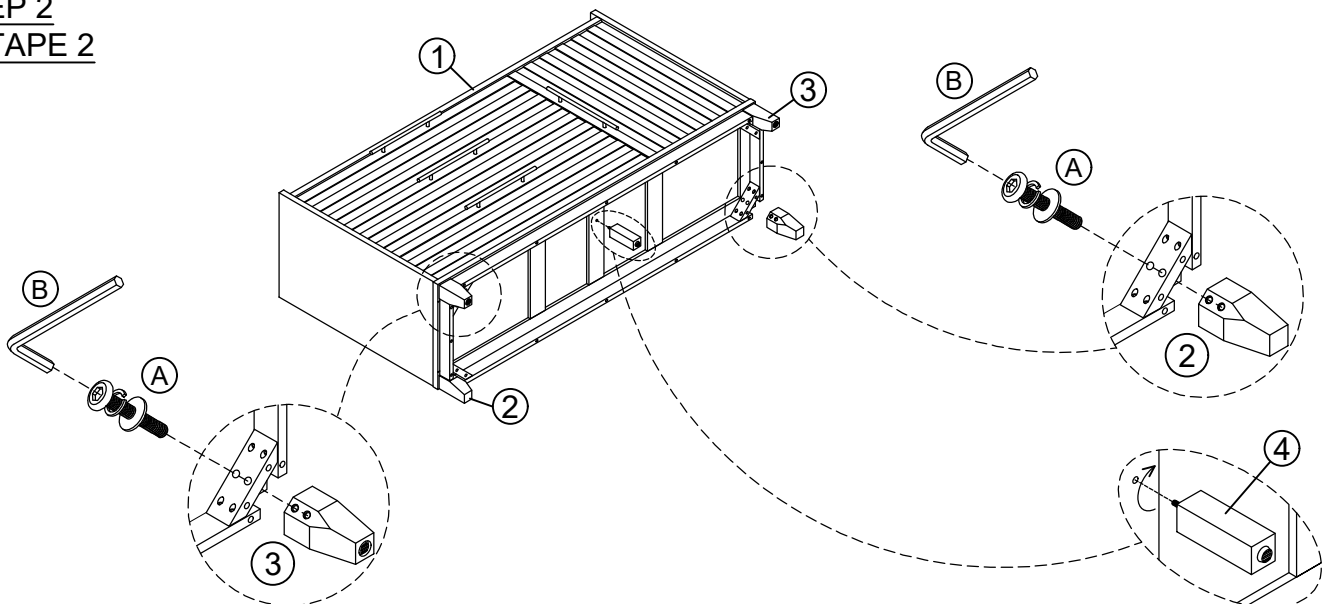
***Caution: Please read all instructions carefully before starting the assembly process. These parts are cumbersome and heavy. Therefore, two people are recommended in order to prevent personal injury and ensure the parts are not damaged during the assembly.

***Avertissement: veuillez lire toutes les instructions attentivement avant de commencer l'assemblage. Ces pièces sont encombrantes et lourdes. Il est recommandé d'être deux personnes pour l'assemblage, afin de prévenir des blessures et/ou risquer d'endommager les pièces.

STEP 1 ETAPE 1



STEP 2 ETAPE 2



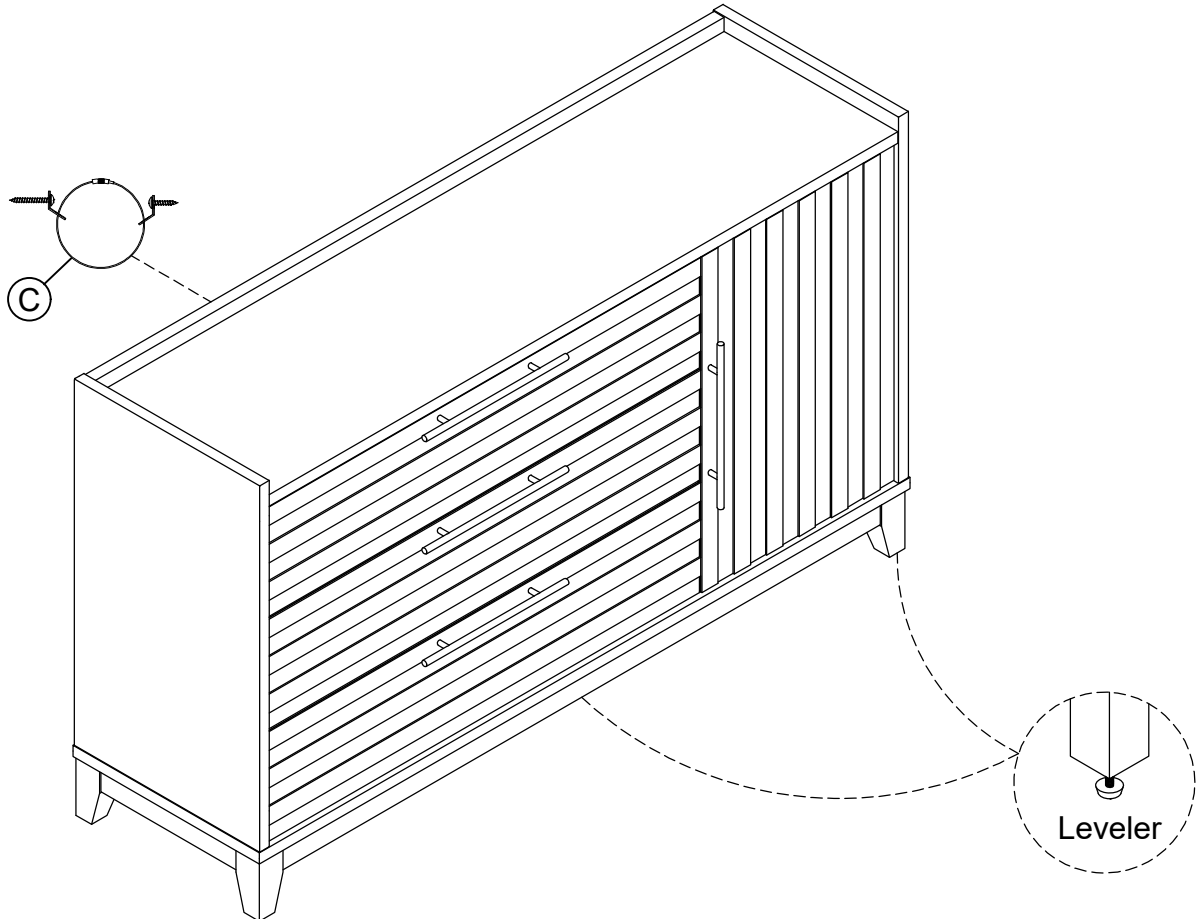
Assembly Instruction Instructions d'assemblage

20083346003 - DRESSER

***Caution: Please read all instructions carefully before starting the assembly process. These parts are cumbersome and heavy. Therefore, two people are recommended in order to prevent personal injury and ensure the parts are not damaged during the assembly.

***Avertissement: veuillez lire toutes les instructions attentivement avant de commencer l'assemblage. Ces pièces sont encombrantes et lourdes. Il est recommandé d'être deux personnes pour l'assemblage afin de prévenir des blessures et/ou risquer d'endommager les pièces.

STEP 3 ETAPE 3





WARNING: To avoid serious personal injury:

- Carefully and strictly follow assembly instructions. Improper assembly of furniture can result in structural failure, instability of the product, or tip-over.
- Monitor and carefully control the assembly components. These include small parts and hardware that may present a choking hazard to small children. Bob's furniture should be assembled only by responsible adults and children should not be involved in the assembly process.
- Where provided, wall mounting hardware should always be used as prescribed in these instructions to anchor furniture to walls. Proper use of the wall mounting hardware can significantly reduce the potential for furniture tip-over and crushing injuries.