

# Assembly Instructions

# BOB'S DISCOUNT FURNITURE

ITEM: 1137-60H SHIMMER - QUEEN HEADBOARD W/COB LIGHT


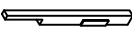
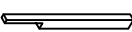

SKU#10001846007


ITEM: 1137-65H SHIMMER - KING HEADBOARD W/COB LIGHT

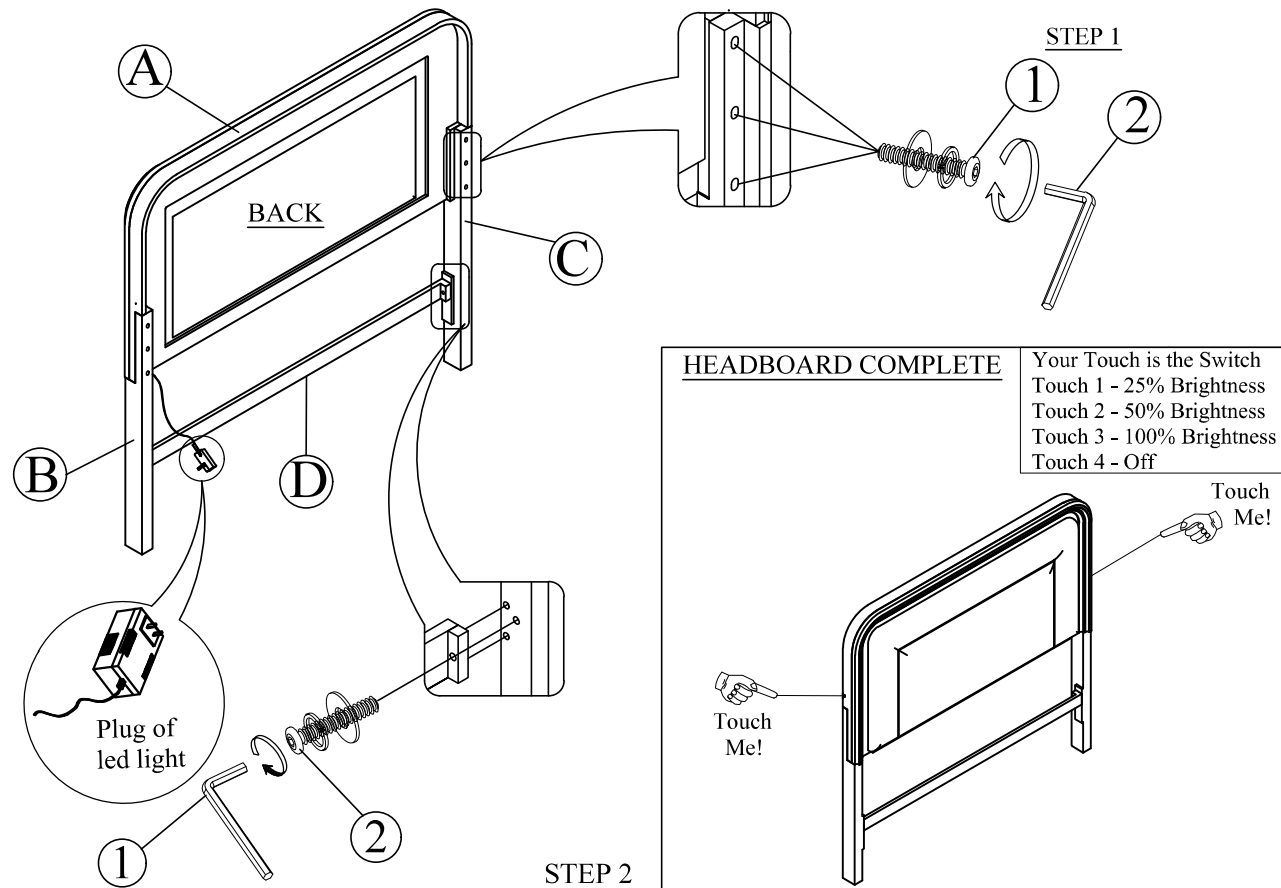
SKU#10001846005

**▲ WARNING:** To avoid serious personal injury:

- Carefully and strictly follow assembly instructions. Improper assembly of furniture can result in structural failure, instability of the product, or tip-over.
- Monitor and carefully control the assembly components. These include small parts and hardware that may present a choking hazard to small children. Bob's furniture should be assembled only by responsible adults and children should not be involved in the assembly process.
- Where provided, wall mounting hardware should always be used as prescribed in these instructions to anchor furniture to walls. Proper use of the wall mounting hardware can significantly reduce the potential for furniture tip-over and crushing injuries.

| Code | Parts   | Qty |
|------|---|-----|
| A    | Headboard            | 1pc |
| B    | Headboard Leg (R)    | 1pc |
| C    | Headboard Leg (L)    | 1pc |
| D    | Headboard Stretcher  | 1pc |

| Code | Hardware   | Qty  |
|------|--|------|
| ①    | Bolt<br>Ø5/16" x 1 3/4"  | 8pcs |
|      | Spring Washer<br>Ø5/16"  | 8pcs |
|      | Flat Washer<br>Ø5/16"  | 8pcs |
| ②    | Allen Key<br>4mm  | 1pc  |



### Hardware Pack Location(s):

ITEM: 1137-60H SHIMMER - QUEEN HEADBOARD W/COB LIGHT

SKU#10001846007

ITEM: 1137-65H SHIMMER - KING HEADBOARD W/COB LIGHT

SKU#10001846005

ITEM: 1137-60H SHIMMER - QUEEN HEADBOARD W/COB LIGHT

SKU#10001846007

ITEM: 1137-65H SHIMMER - KING HEADBOARD W/COB LIGHT

SKU#10001846005

## IMPORTANT SAFETY INSTRUCTIONS



### WARNING

Misuse can result in FIRE or DEATH by ELECTRICAL SHOCK

ELECTRICAL RATING 24V/MAX 2A  
DONGGUAN GUANQING ELECTRONICS CO.,LTD.  
MODEL: AED72-2402000VWSW0

#### Read all instructions before using this furnishing.

##### **DANGER - To reduce the risk of electric shock:**

- Always unplug this furnishing from the electrical outlet before cleaning or servicing.

##### **WARNING - To reduce the risk of burns, fire, electric shock, or injury to persons:**

- Unplug from outlet before putting on or taking off parts.
- Never operate this furnishing if it has a damaged electrical cord or plug, if it is not working properly, or if the electrical cord or plug has been damaged or dropped into water. Stop using this furnishing and call a service center for examination and repair.
- Keep the electrical cord and plug away from heated surfaces and other heat sources.
- To disconnect, turn all controls to the off position, then remove plug from outlet.
- When operating, ensure that electrical cord is not under the base, legs, or motion mechanism to avoid damage to electrical cord or plug.
- Do not strain or stretch electrical cord.
- Keep out of reach of children. This is not a toy.
- Do not use extension cords or power strips.
- Plug directly into a compatible electrical socket.
- Do not modify the plug or use any adapters.

#### Hardware Pack Location(s):

ITEM: 1137-60H SHIMMER - QUEEN HEADBOARD W/COB LIGHT

SKU#10001846007

ITEM: 1137-65H SHIMMER - KING HEADBOARD W/COB LIGHT

SKU#10001846005

ITEM: 1137-60H SHIMMER - QUEEN HEADBOARD W/COB LIGHT

SKU#10001846007

ITEM: 1137-65H SHIMMER - KING HEADBOARD W/COB LIGHT

SKU#10001846005

## INSTRUCCIONES DE SEGURIDAD IMPORANTES



### WARNING

El mal uso puede provocar INCENDIO o MUERTE por DESCARGA ELÉCTRICA

CLASIFICACION ELECTTRICA 24V/MAX 2A  
DONGGUAN GUANQING ELECTRONICS CO.,LTD.  
MODEL: AED72-2402000VWSW0

### Leer todas las instrucciones antes de usar este mobiliario.

#### PELIGRO – Para reducir el riesgo de descarga electrica:

- Siempre desenchufe este accesorio de la toma de corriente eléctrica antes de limpiarlo o repararlo.

#### ADVERTENCIA: para reducir el riesgo de quemaduras, incendios, descargas eléctricas o lesiones a personas:

- Desenchufe del tomacorriente antes de colocar o quitar partes.
- Nunca opere este accesorio si tiene un cable o enchufe eléctrico dañado, si no funciona correctamente, o si el cable o el enchufe eléctrico se ha dañado o se ha caído al agua. Deje de usar este equipamiento y llame a un centro deservicio para que lo examinen y lo reparen.
- Mantenga el cable eléctrico y el enchufe lejos de superficies calientes y otras fuentes de calor.
- Para desconectar, gire todos los controles a la posición de apagado, luego retire el enchufe del tomacorriente.
- Al operar, asegúrese de que el cable eléctrico no esté debajo de la base, las patas o el mecanismo de movimiento para evitar dañar el cable eléctrico o el enchufe.
- No fuerce ni estire el cable eléctrico.
- Mantener fuera del alcance de los niños. Esto no es un juguete.
- No utilizar cables de extensión o tomas de corriente.
- Enchúfelo directamente a una toma de corriente compatible.
- No modifique el enchufe ni utilice adaptadores.

#### Hardware Pack Location(s):

ITEM: 1137-60H SHIMMER - QUEEN HEADBOARD W/COB LIGHT

SKU#10001846007

ITEM: 1137-65H SHIMMER - KING HEADBOARD W/COB LIGHT

SKU#10001846005

# Assembly Instructions

# BOB'S DISCOUNT FURNITURE

ITEM: 1137-65H SHIMMER - KING HEADBOARD W/COB LIGHT

SKU#10001846005

ITEM: 1137-65F-ST SHIMMER - KING STORAGE FOOTBOARD W/COB LIGHT  
+5PCS SLATS + 8PCS SUPPORT LEGS








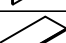


SKU#10001846008



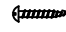
ITEM: 1137-60R-ST SHIMMER - QUEEN / KING SIDE RAIL

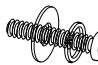



SKU#10001846012

**▲ WARNING:** To avoid serious personal injury:


- Carefully and strictly follow assembly instructions. Improper assembly of furniture can result in structural failure, instability of the product, or tip-over.
- Monitor and carefully control the assembly components. These include small parts and hardware that may present a choking hazard to small children. Bob's furniture should be assembled only by responsible adults and children should not be involved in the assembly process.
- Where provided, wall mounting hardware should always be used as prescribed in these instructions to anchor furniture to walls. Proper use of the wall mounting hardware can significantly reduce the potential for furniture tip-over and crushing injuries.

| Code | Parts  | Qty  |
|------|--|------|
| A    | Headboard                             | 1pc  |
| B    | Footboard                             | 1pc  |
| C    | Side Rail(L)<br>(with attach wiring)  | 1pc  |
| D    | Side Rail(R)                          | 1pc  |
| E    | Drawer Front                          | 1pc  |
| F    | Drawer Side Panel(L/R)                | 2pcs |
| G    | Drawer Back Panel                     | 1pc  |
| H    | Drawer Bottom Panel                  | 1pc  |
| I    | Slat                                | 5pcs |
| J    | Support Leg For Slats               | 8pcs |

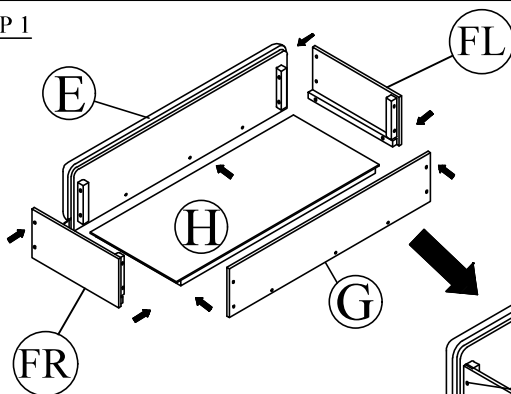
| Code | Hardware (Packed In Footboard Carton)  | Qty   |
|------|--|-------|
| 1    | Bolt<br>Ø1/4" x 1"  | 18pcs |
| 3    | Allen Key<br>4mm    | 1pc   |
| 4    | #8*32mm<br>Screw    | 10pcs |

| Code | Hardware (Packed In Side Rail Carton)   | Qty  |
|------|---|------|
| 2    | Bolt<br>Ø5/16" x 1"      | 8pcs |
|      | Spring Washer<br>Ø5/16"  | 8pcs |
|      | Flat Washer<br>Ø5/16"    | 8pcs |
| 3    | Allen Key<br>4mm        | 1pc  |

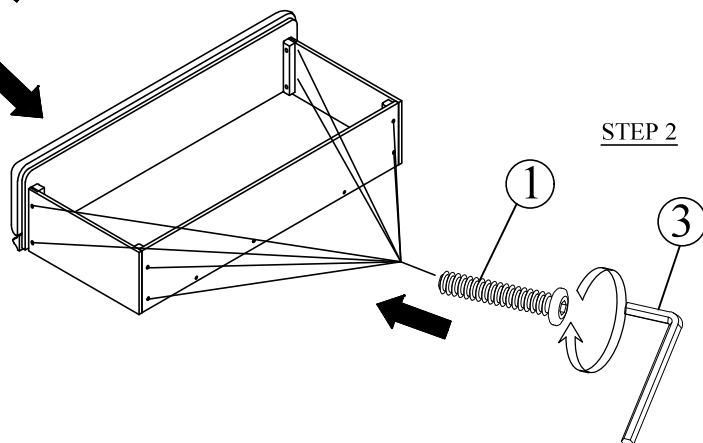
TOOLS REQUIRED ( NOT PROVIDED )

Phillips Screwdriver 

## STEP 1



## STEP 2



## Hardware Pack Location(s):

ITEM: 1137-65F-ST SHIMMER - KING STORAGE FOOTBOARD W/COB LIGHT  
+5PCS SLATS + 8PCS SUPPORT LEGS

SKU#10001846008

ITEM: 1137-60R-ST SHIMMER - QUEEN / KING SIDE RAIL

SKU#10001846012

1 of 3

MADE IN VIETNAM

# Assembly Instructions

# BOB'S DISCOUNT FURNITURE

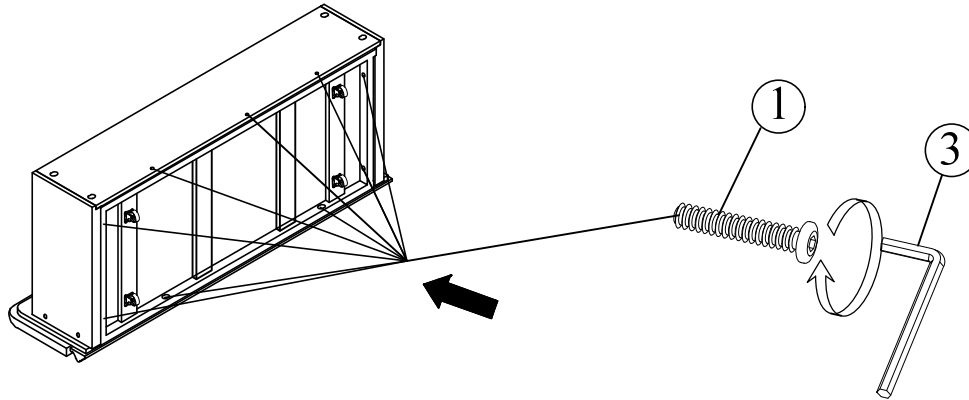
ITEM: 1137-65H SHIMMER - KING HEADBOARD W/COB LIGHT  
 ITEM: 1137-65F-ST SHIMMER - KING STORAGE FOOTBOAD W/COB LIGHT  
 +5PCS SLATS + 8PCS SUPPORT LEGS  
 ITEM: 1137-60R-ST SHIMMER - QUEEN / KING SIDE RAIL

SKU#10001846005  
 SKU#10001846008  
 SKU#10001846012

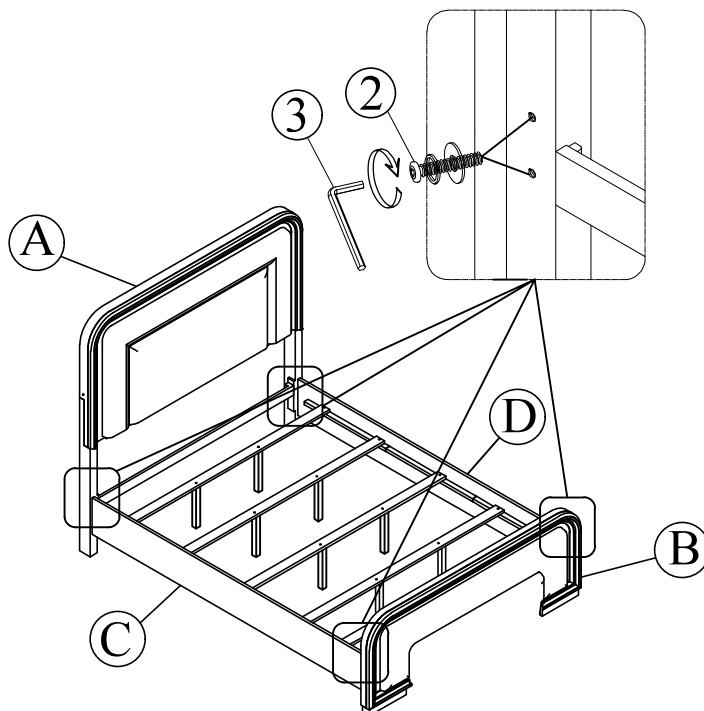
**▲ WARNING:** To avoid serious personal injury:

- Carefully and strictly follow assembly instructions. Improper assembly of furniture can result in structural failure, instability of the product, or tip-over.
- Monitor and carefully control the assembly components. These include small parts and hardware that may present a choking hazard to small children. Bob's furniture should be assembled only by responsible adults and children should not be involved in the assembly process.
- Where provided, wall mounting hardware should always be used as prescribed in these instructions to anchor furniture to walls. Proper use of the wall mounting hardware can significantly reduce the potential for furniture tip-over and crushing injuries.

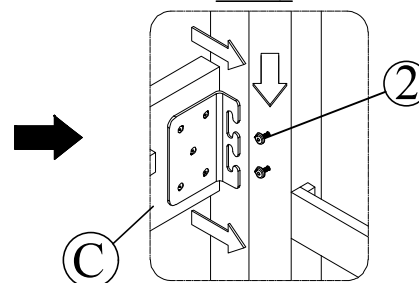
### STEP 3



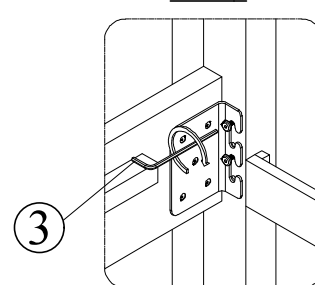
### STEP 4



### STEP 5



### STEP 6



### Hardware Pack Location(s):

ITEM: 1137-65F-ST SHIMMER - KING STORAGE FOOTBOAD W/COB LIGHT  
 +5PCS SLATS + 8PCS SUPPORT LEGS  
 ITEM: 1137-60R-ST SHIMMER - QUEEN / KING SIDE RAIL

SKU#10001846008  
 SKU#10001846012

# Assembly Instructions

# BOB'S DISCOUNT FURNITURE

ITEM: 1137-65H SHIMMER - KING HEADBOARD W/COB LIGHT

SKU#10001846005

ITEM: 1137-65F-ST SHIMMER - KING STORAGE FOOTBOARD W/COB LIGHT  
+5PCS SLATS + 8PCS SUPPORT LEGS

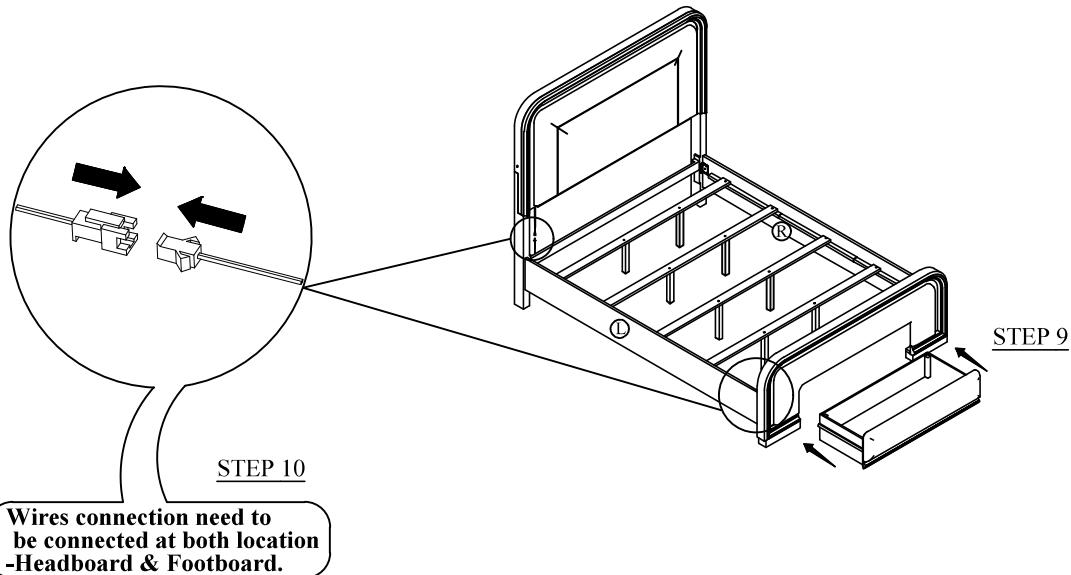
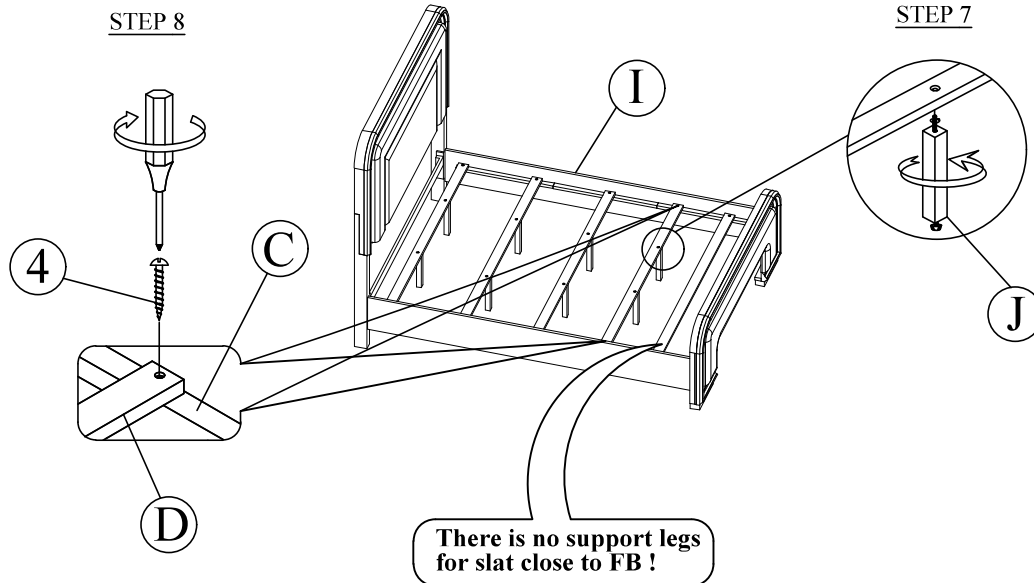
SKU#10001846008

ITEM: 1137-60R-ST SHIMMER - QUEEN / KING SIDE RAIL

SKU#10001846012

**⚠ WARNING:** To avoid serious personal injury:

- Carefully and strictly follow assembly instructions. Improper assembly of furniture can result in structural failure, instability of the product, or tip-over.
- Monitor and carefully control the assembly components. These include small parts and hardware that may present a choking hazard to small children. Bob's furniture should be assembled only by responsible adults and children should not be involved in the assembly process.
- Where provided, wall mounting hardware should always be used as prescribed in these instructions to anchor furniture to walls. Proper use of the wall mounting hardware can significantly reduce the potential for furniture tip-over and crushing injuries.



## Hardware Pack Location(s):

ITEM: 1137-65F-ST SHIMMER - KING STORAGE FOOTBOARD W/COB LIGHT  
+5PCS SLATS + 8PCS SUPPORT LEGS

SKU#10001846008

ITEM: 1137-60R-ST SHIMMER - QUEEN / KING SIDE RAIL

SKU#10001846012

3 of 3

MADE IN VIETNAM