

# Assembly Instructions


# BOB'S DISCOUNT FURNITURE

ITEM: 1137-10 SHIMMER - DRESSER W/LED LIGHT W/JEWELRY TRAY

SKU#10001846001

**▲ WARNING:** To avoid serious personal injury:

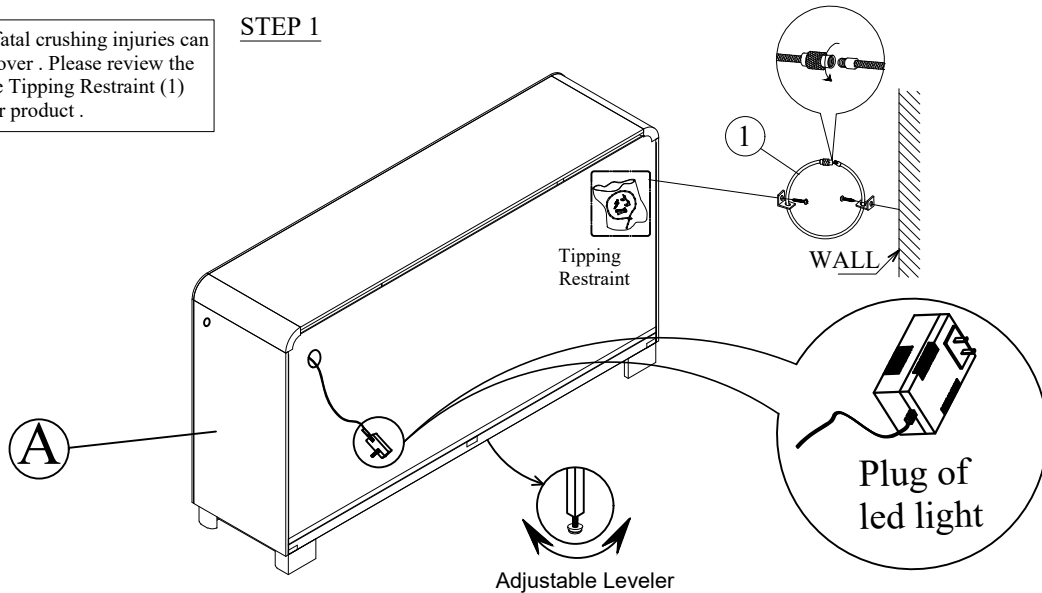
- Carefully and strictly follow assembly instructions. Improper assembly of furniture can result in structural failure, instability of the product, or tip-over.
- Monitor and carefully control the assembly components. These include small parts and hardware that may present a choking hazard to small children. Bob's furniture should be assembled only by responsible adults and children should not be involved in the assembly process.
- Where provided, wall mounting hardware should always be used as prescribed in these instructions to anchor furniture to walls. Proper use of the wall mounting hardware can significantly reduce the potential for furniture tip-over and crushing injuries.

Code	Parts	Qty
A	Dresser 	1pc

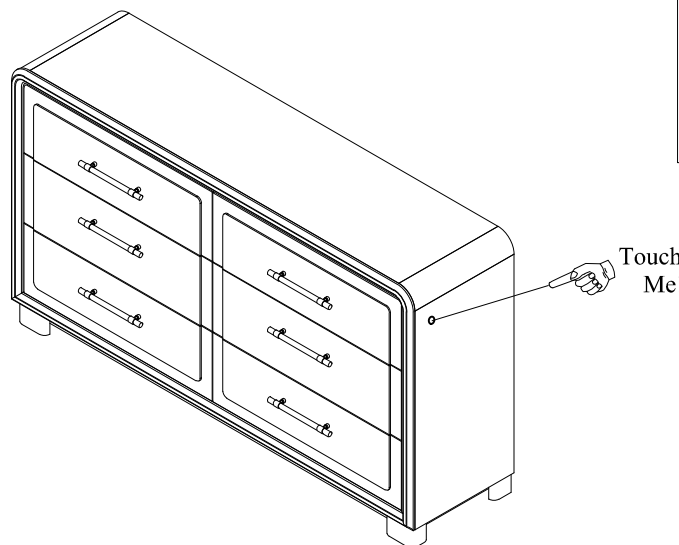
PART#	DESCRIPTION	Qty
1	 Tipping Restraint	1pc

**WARNING :** Serious or fatal crushing injuries can occur from furniture tip-over . Please review the instruction and install the Tipping Restraint (1) that is included with your product .

### STEP 1



**BACK**



Your Touch is the Switch  
 Touch 1 - 25% Brightness  
 Touch 2 - 50% Brightness  
 Touch 3 - 100% Brightness  
 Touch 4 - Off

**COMPLETE**

### Hardware Pack Location(s):

ITEM: 1137-10 SHIMMER - DRESSER W/LED LIGHT W/JEWELRY TRAY

SKU#10001846001