


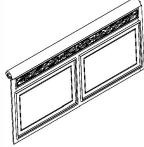



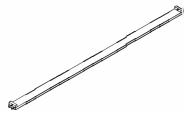
Assembly instructions for Queen/King Sleigh Bed 7147-170/173 20083365/20083366

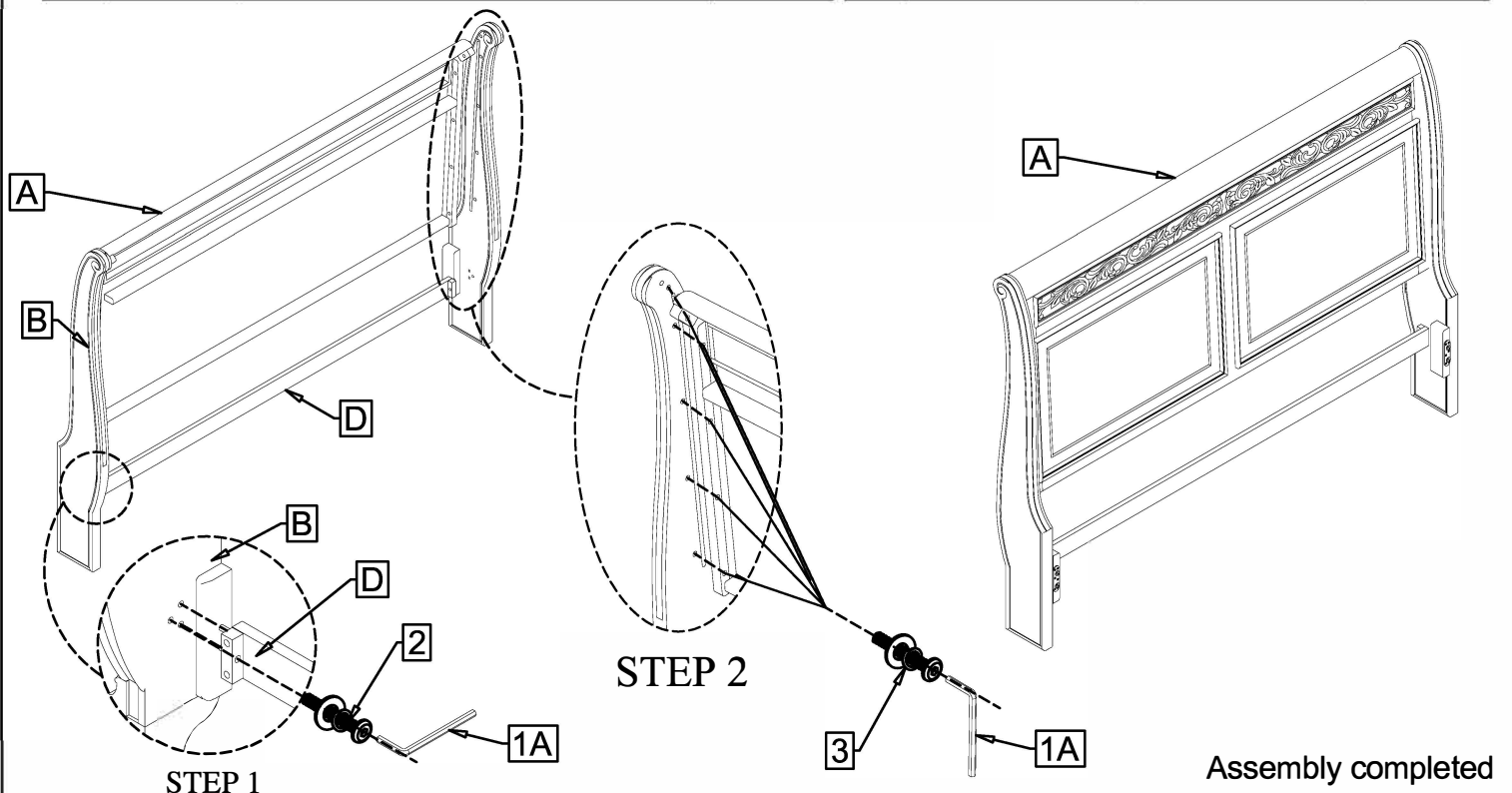
Caution: Please read instructions thoroughly before unpacking assembly parts. Sharp, exposed staple tips can cause injury, therefore, for your protection, please remove any exposed staples used in packing.

1. We recommend that you should assemble this product with the assistance of another person; this will make assembly easier, and will help to eliminate damage to the product or injury to persons during assembly.
2. Be sure to check all packing materials carefully for small parts that may have come loose inside the carton during shipment.
3. Please do not over tighten screws or bolts.
4. Please put all parts on a non-abrasive floor before assembly, and follow the assembly steps to assemble your newly purchased product correctly and efficiently.

 **WARNING: To avoid serious personal injury:**

- Carefully and strictly follow assembly instructions. Improper assembly of furniture can result in structural failure, instability of the product, or tip-over.
- Monitor and carefully control the assembly components. These include small parts and hardware that may present a choking hazard to small children. This furniture should be assembled only by responsible adults and children should not be involved in the assembly process.
- Where provided, wall mounting hardware should always be used as prescribed in these instructions to anchor furniture to walls. Proper use of the wall mounting hardware can significantly reduce the potential for furniture tip-over and crushing injuries.

| NO.: | HARDWARE LIST (7147-170/173) | | Q'TY | NO.: | PARTS LIST | | |
|------|---|---------------------------------------|-----------|------|--|----------------------------|----------|
| 1A |  | (L57X4MM) ALLEN KEY | 1 piece | A |  | Headboard | 1 piece |
| 2 |  | (ϕ 1/4*20*1-3/4"L) BOLT | 2 pieces | | | | |
| | | (ϕ 1/4*13*1.2MM) SPRING WASHER | 2 pieces | | | | |
| | | (ϕ 1/4*19*1.8MM) FLAT WASHER | 2 pieces | | | | |
| 3 |  | (ϕ 5/16*2"L) BOLT | 10 pieces | B |  | Headboard legs (L+R) | 2 pieces |
| | | (ϕ 5/16*13*1.2MM) SPRING WASHER | 10 pieces | C |  | Headboard Bottom Stretcher | 1 piece |
| | | (ϕ 5/16*19*1.8MM) FLAT WASHER | 10 pieces | | | | |



Assembly instructions for Queen/King Sleigh Bed 7147-170/173

20083365/20083366

Caution: Please read instructions thoroughly before unpacking assembly parts. Sharp, exposed staple tips can cause injury, therefore, for your protection, please remove any exposed staples used in packing.

1. We recommend that you should assemble this product with the assistance of another person; this will make assembly easier, and will help to eliminate damage to the product or injury to persons during assembly.
2. Be sure to check all packing materials carefully for small parts that may have come loose inside the carton during shipment.
3. Please do not over tighten screws or bolts.
4. Please put all parts on a non-abrasive floor before assembly, and follow the assembly steps to assemble your newly purchased product correctly and efficiently.

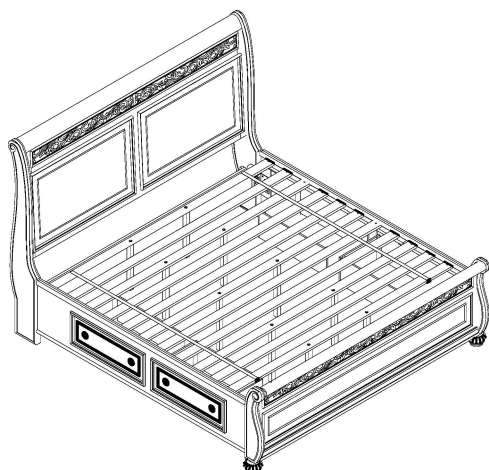


WARNING: To avoid serious personal injury:

- Carefully and strictly follow assembly instructions. Improper assembly of furniture can result in structural failure, instability of the product, or tip-over.
- Monitor and carefully control the assembly components. These include small parts and hardware that may present a choking hazard to small children. This furniture should be assembled only by responsible adults and children should not be involved in the assembly process.
- Where provided, wall mounting hardware should always be used as prescribed in these instructions to anchor furniture to walls. Proper use of the wall mounting hardware can significantly reduce the potential for furniture tip-over and crushing injuries.

| NO.: | HARDWARE LIST (7147-171/174) | Q'TY |
|--------------------------|-----------------------------------|-----------|
| 1 | (L80MM*30MM*4MM) ALLEN KEY | 1 piece |
| 4 | (Ø5/16"*3-1/4") LONG BOLT | 2 pieces |
| | (Ø5/16"*13*1.2MM) SPRING WASHER | 2 pieces |
| | (Ø5/16"*Ø19*1.8MM) FLAT WASHER | 2 pieces |
| 5 | (Ø1/4"*20*1-3/4"L) BOLT | 4 pieces |
| | (Ø1/4"*13*1.2MM) SPRING WASHER | 4 pieces |
| | (Ø1/4"*16*1.8MM) FLAT WASHER | 4 pieces |
| 6 | 8*30MM LONG SCREW | 22 pieces |
| 7 | 8*19MM SHORT SCREW | 4 pieces |
| HARDWARE LIST (7147-172) | | |
| 1A | (L57X4MM) ALLEN KEY | 1 piece |
| 8 | (Ø1/4"*20*1"L) BOLT (For Drawers) | 32 pieces |

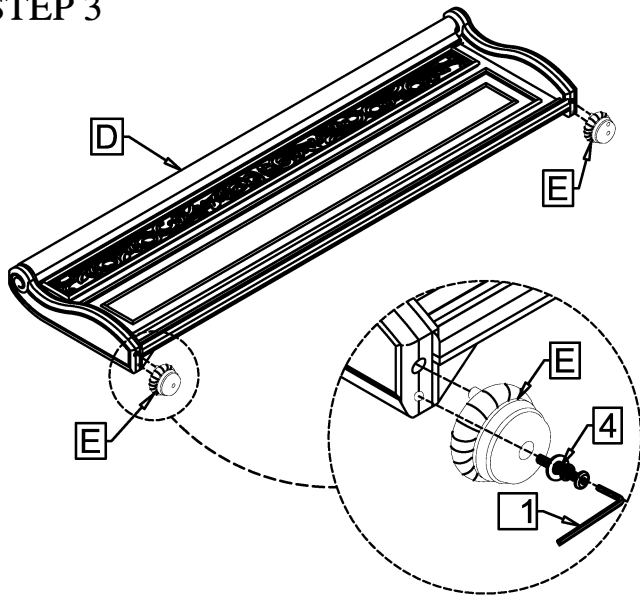
| NO.: | PARTS LIST (7147-171/174) | | |
|-------------------------------------|---------------------------|----------------------------------|-----------|
| D | | Footboard | 1 piece |
| E | | Bun Feet for Footboard | 2 pieces |
| F | | Drawer Support Bar (B) | 2 pieces |
| G | | Short Support Leg for Storage | 4 pieces |
| H | | Slat Rolls | 1 set |
| I | | Long Support Leg for bed slats A | 10 pieces |
| PARTS LIST (7147-172) | | | |
| J | | Side Rails | 2 pieces |
| PARTS LIST FOR SIDE RAILS 'S DRAWER | | | |
| K | | Drawer front | 4 pieces |
| L | | Drawer back | 4 pieces |
| M | | Drawer (L+R) | 8 pieces |
| N | | Drawer bottom | 4 pieces |



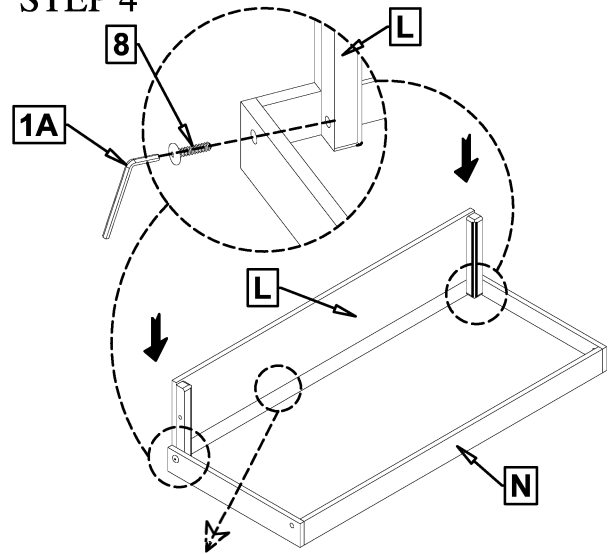
Queen/King Sleigh Bed

Assembly instructions for Queen/King Sleigh Bed 7147-170/173 20083365/20083366

STEP 3

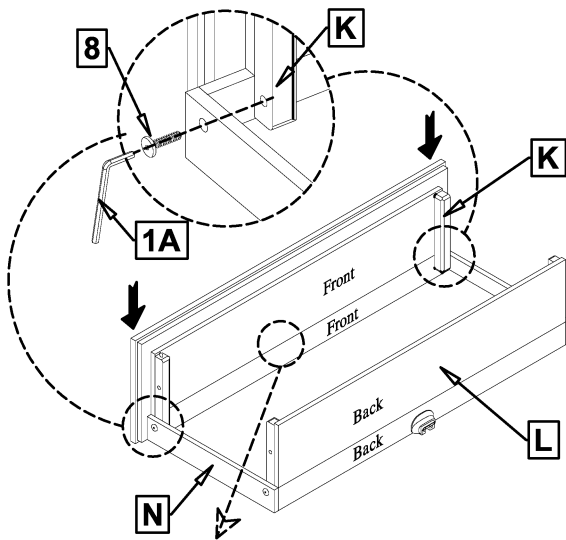


STEP 4



1. Press the drawer back completely closed to the top edge of the drawer bottom before tighten the bolts.

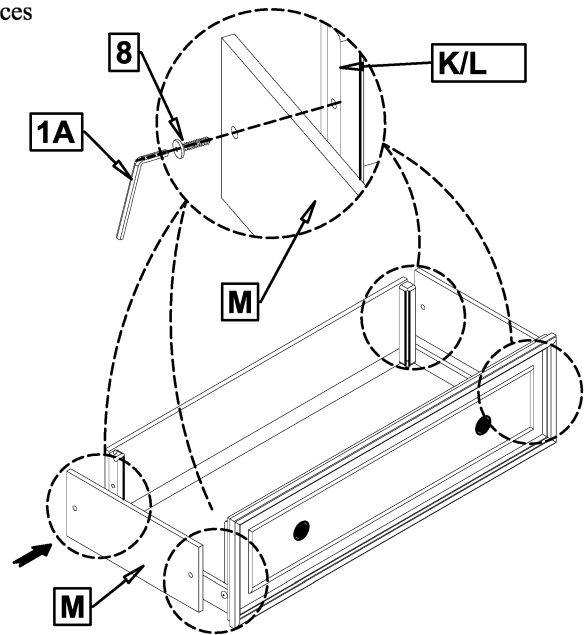
STEP 5



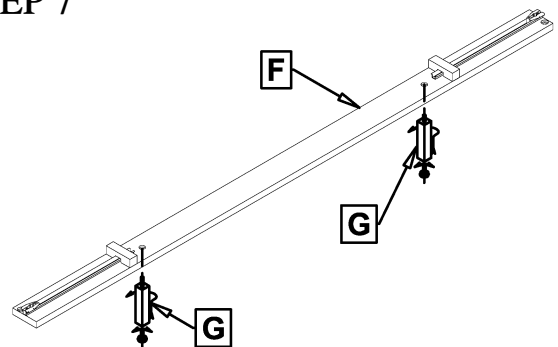
2. Press the drawer front panel completely closed to the top edge of the drawer bottom tray before tighten the bolts.

STEP 6

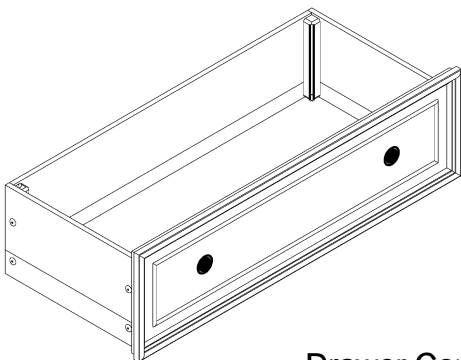
5 pieces



STEP 7

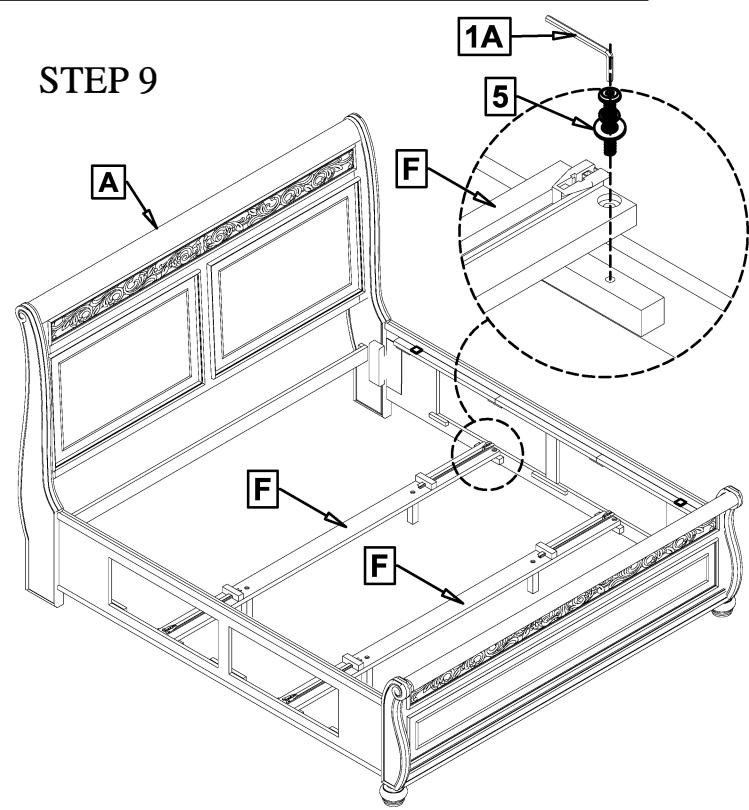
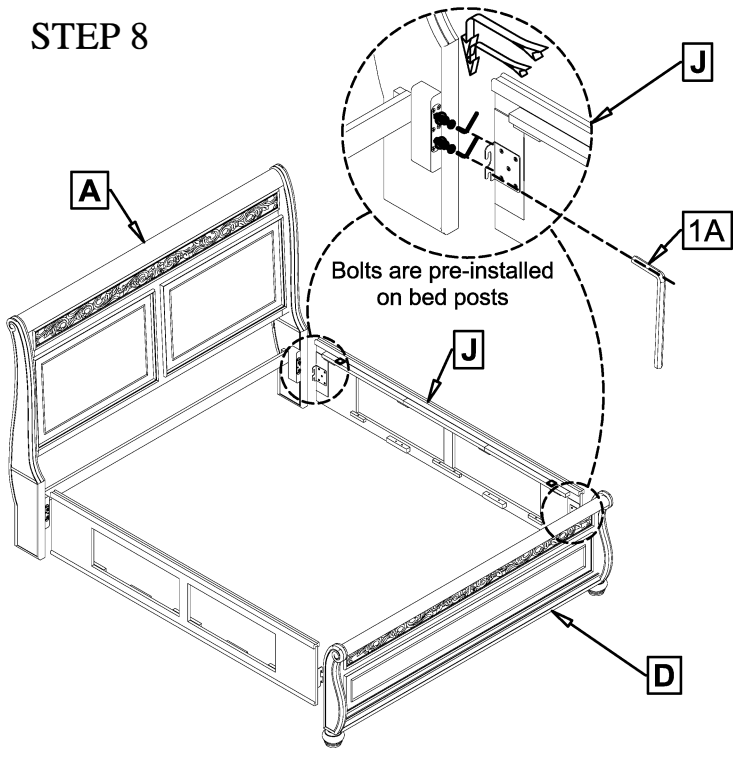


- Install the short support legs to the bottom of the drawer support bars.



Drawer Completed

Assembly instructions for Queen/King Sleigh Bed 7147-170/173 20083365/20083366



1. Insert the drawer into the siderails and footboard.
2. Adjust the drawer alignment by pressing the drawer front panels to be closed to the surface of the siderails and footboard.
3. Use levelers of the short support legs at the Step#7 to adjust drawer alignment.
4. Lock the drawer slides by using wood screw(#6) at the back end of the slides when all drawers are aligned.

