





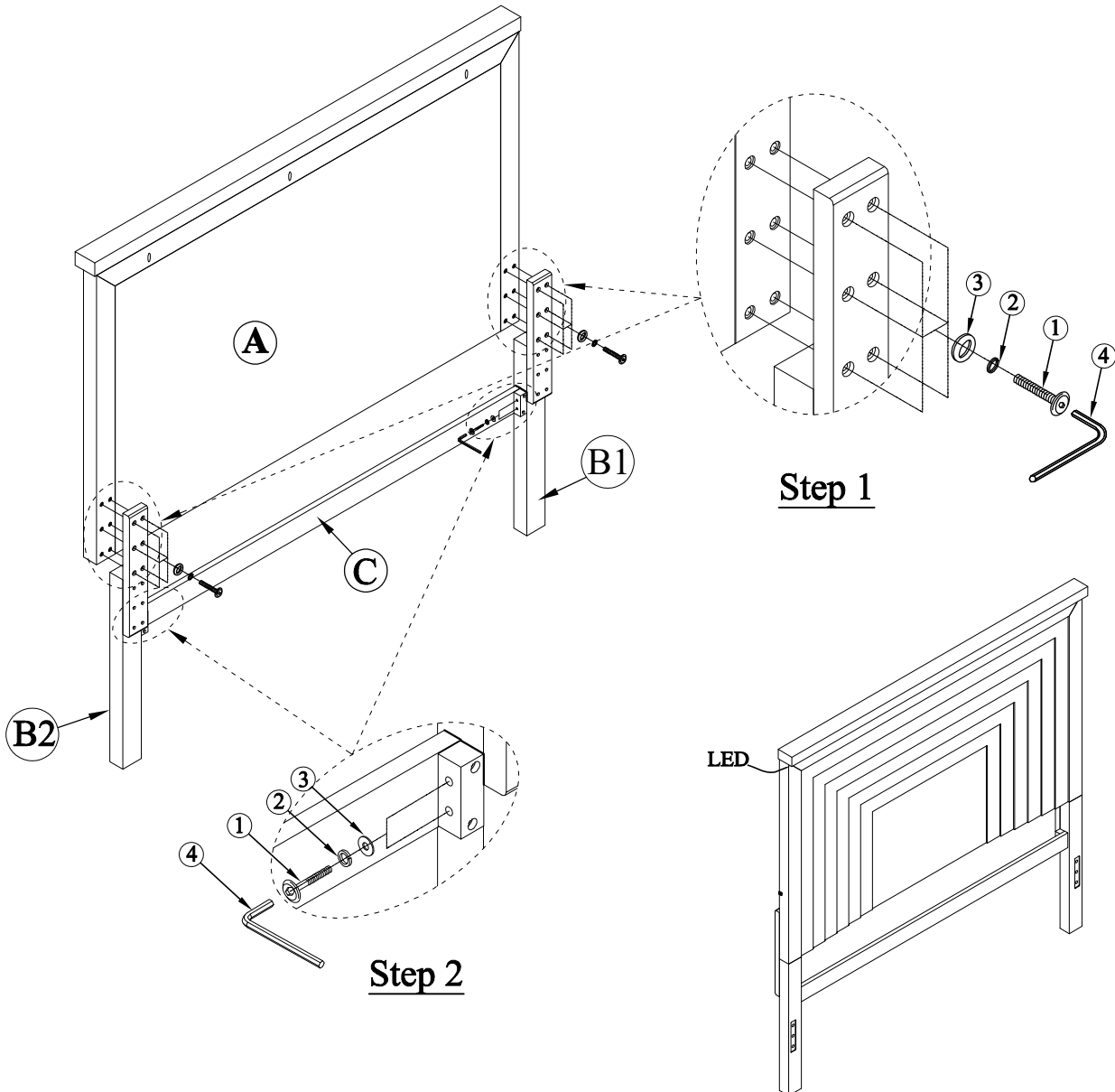
⚠ WARNING: To avoid serious personal injury:

- Carefully and strictly follow assembly instructions. Improper assembly of furniture can result in structural failure, instability of the product, or tip-over.
- Monitor and carefully control the assembly components. These include small parts and hardware that may present a choking hazard to small children. Bob's furniture should be assembled only by responsible adults and children should not be involved in the assembly process.
- Where provided, wall mounting hardware should always be used as prescribed in these instructions to anchor furniture to walls. Proper use of the wall mounting hardware can significantly reduce the potential for furniture tip-over and crushing injuries.

PART LIST FOR HEADBOARD			
No.	Part description	Code.	Q'ty
A	HEADBOARD		1
B1	HEADBOARD LEFT LEG	PB-14840-7-HBLEG1 PB-14840-8-HBLEG1	1
B2	HEADBOARD RIGHT LEG	PB-14840-7-HBLEG2 PB-14840-8-HBLEG2	1
C	BOTTOM STRETCHER	PB-14840-7-QHSTR PB-14840-8-QHSTR	1

HARDWARE LIST			
No.	Hardware Description	Code.	Q'ty
1	 Bolt (Ø1/4" x 1 3/4")	PB-14840-KBHW	16
2	 Lock Washer (Ø1/4" x 3/8")		16
3	 Small Flat washer (Ø1/4"x1/2")		16
4	 Allen key (4 x 59mm)		1
HeadBoard Hardware Packed with HeadBoard			

⚠ Only tighten all bolts when all bolts aligned with bolt inserts.



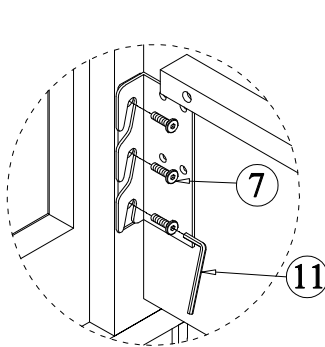
PART LIST FOR FOOTBOARD

No.	Part Description	Code	Q'ty
D	FOOTBOARD		1
E	QUEEN FOOTBOARD STORAGE DRAWER SLAT	PB-14840-QSFLT	1
F	FOOTBOARD STORAGE DRAWER SUPPORT RAIL WITH GLIDE	PB-14840-BDSRL	2
G	FOOTBOARD STORAGE DRAWER SUPPORT LEG WITH LEVELER	PB-14840-BDSPL3	2
H	QUEEN FOOTBOARD STORAGE DRAWER	PB-14840-7-QSFDRW PB-14840-8-QSFDRW	2
I	QUEEN SIDE STORAGE DRAWER SUPPORT RAIL WITH GLIDE	PB-14840-QSRSRL	2
J	SIDE RAIL STORAGE DRAWER SUPPORT LEG WITH LEVELER	PB-14840-SRSPL	4
K	QUEEN/KING RAIL STORAGE DRAWER	PB-14840-7-SRDRW PB-14840-8-SRDRW	4

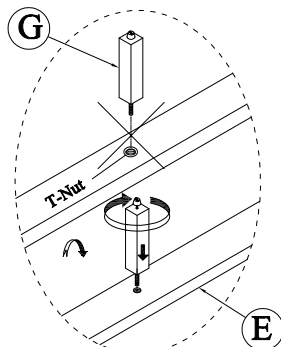
HARDWARE LIST

No	Hardware Description	Code	Q'ty	
5	Bolt (Ø5/32" x 16mm)	PB-14840-KSRHW	8	
6	Handle		4	
7	Short Bolt (Ø5/16" x 1")		12	
8	Bolt (Ø1/4" x 1 3/8")		32	
9	Lock washer (Ø1/4" x 3/8")		32	
10	Flat washer (Ø1/4" x 3/4")		32	
11	Allen key(4 x 59mm)		1	
RAILS HARDWARE PACKED WITH RAIL				
5	Bolt (Ø5/32" x 16mm)		PB-14840-KSFHW	4
6	Handle			2
12	Bolt (Ø1/4" x 1 3/8")			28
13	Lock washer (Ø1/4" x 3/8")	28		
14	Flat washer (Ø1/4" x 3/4")	28		
15	Screw (Ø4 x 30mm)	34		
16	Allen key(4 x 59mm)	1		
FOOTBOARD HARDWARE PACKED WITH FOOTBOARD				

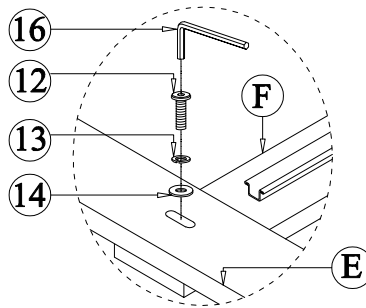
⚠ Only tighten all bolts when all bolts aligned with bolt inserts.



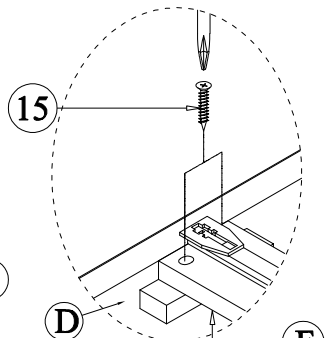
Step 3



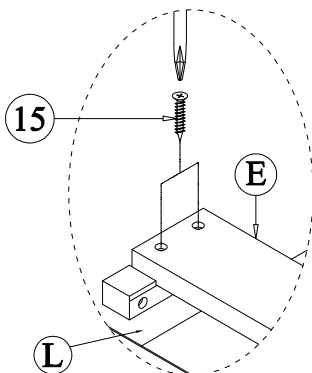
Step 4



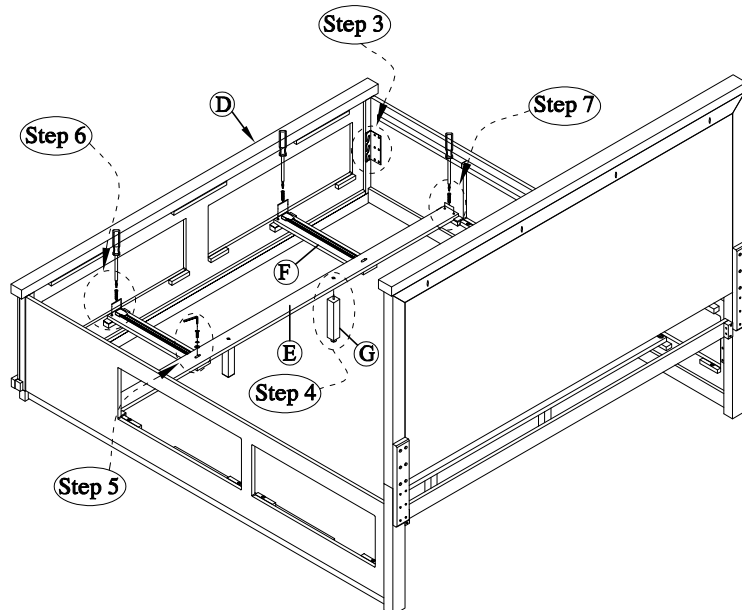
Step 5



Step 6

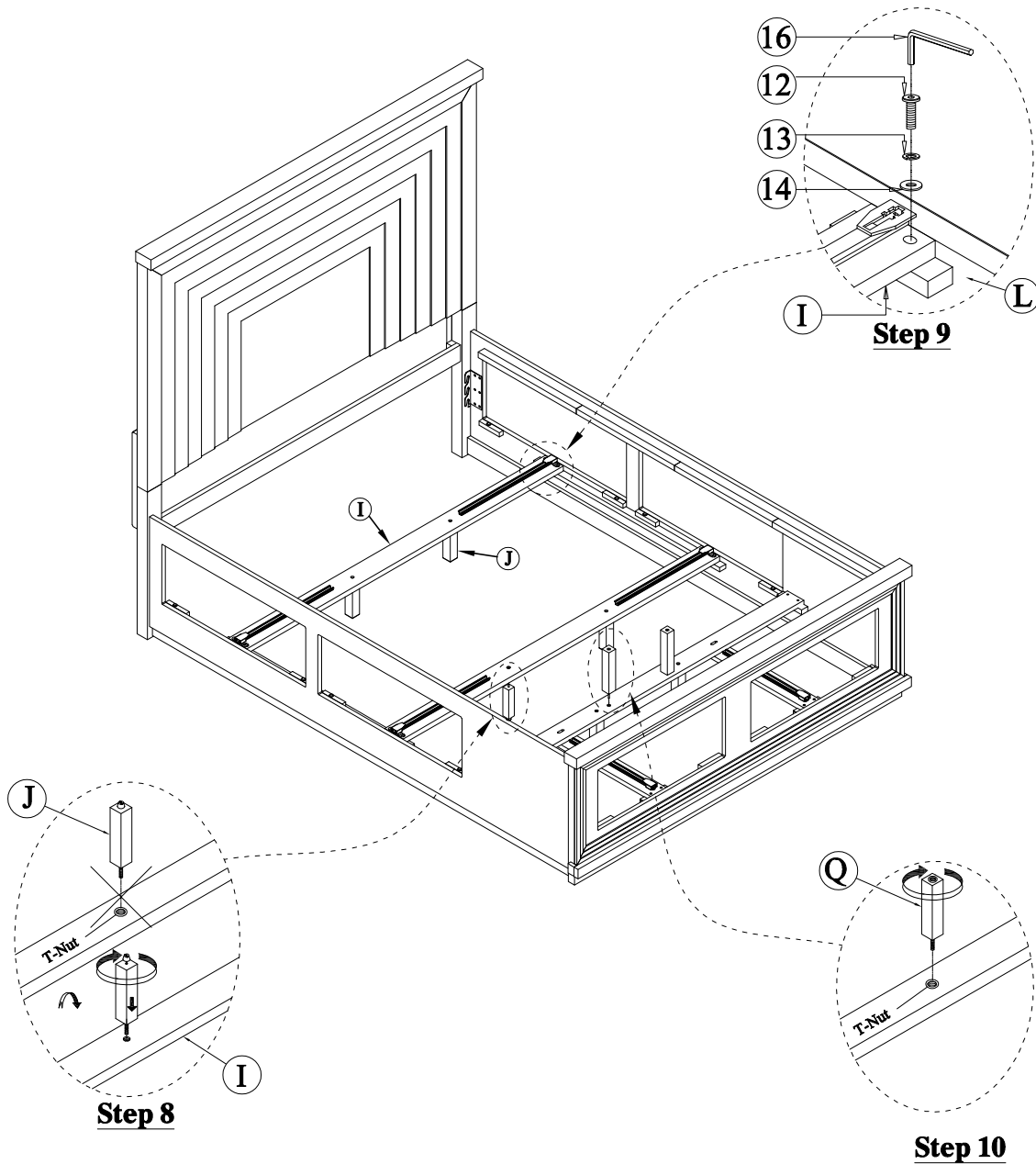


Step 7



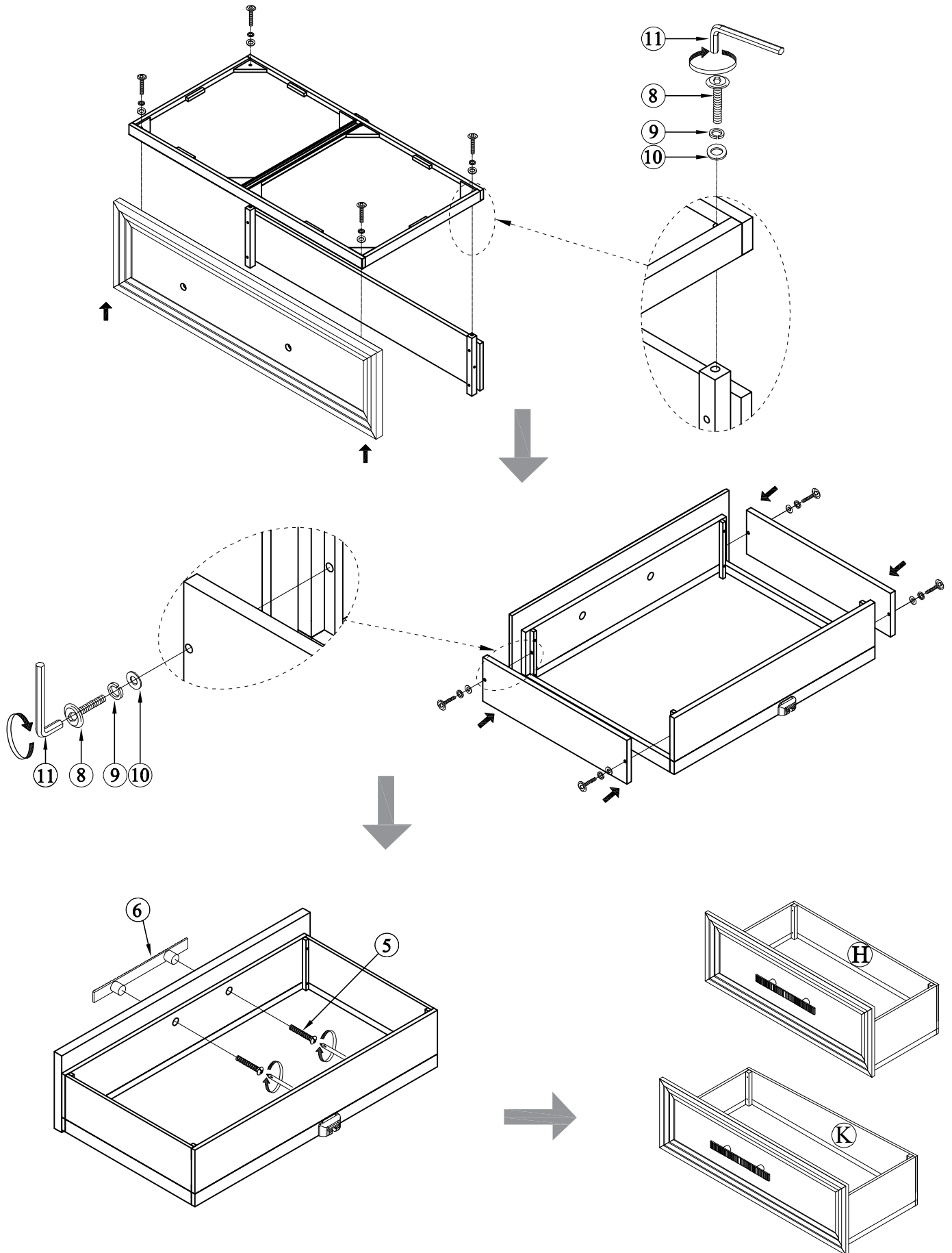
Note: If the up and down side of storage drawer can't fit with footboard frame, adjust height of support leg (step 4), If the right and left side of storage drawer front can't fit with footboard frame. Please adjust the end position of plywood where storage glides sit on (step 5).

⚠ Only tighten all bolts when all bolts aligned with bolt inserts.



STEP 11

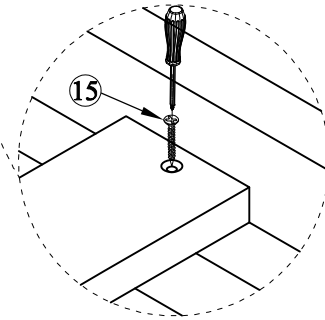
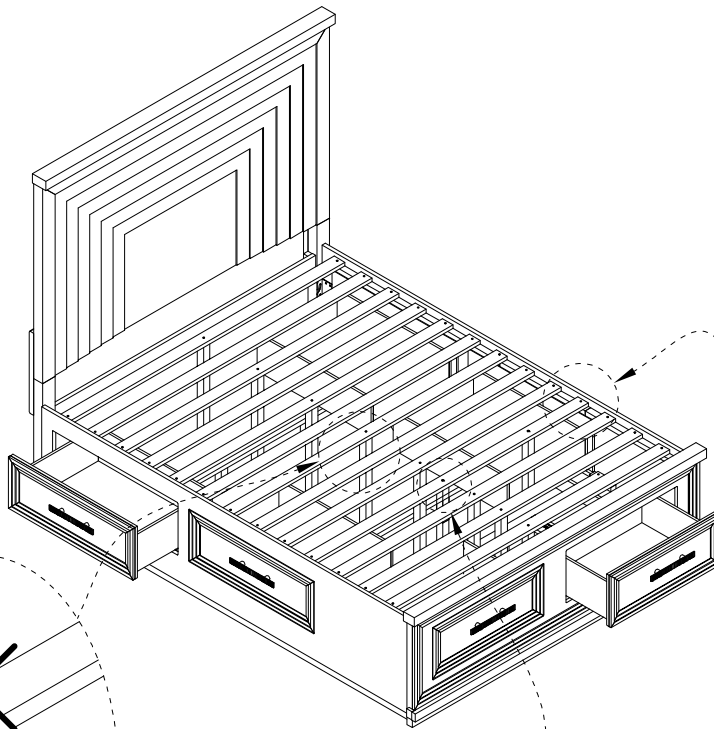
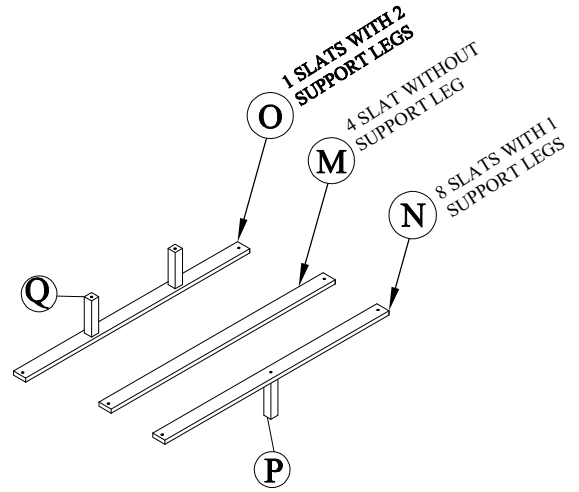
STORAGE DRAWER



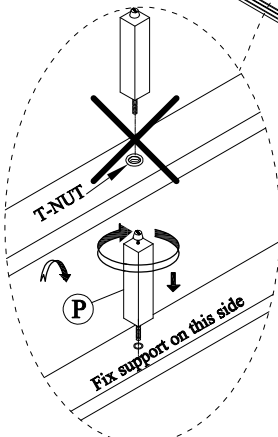
PART LIST FOR RAIL

No.	Part Description	Code	Q'ty
L	QUEEN/KING BED SIDE RAIL		2
M	QUEEN BED SLAT WITHOUT SUPPORT LEG	PB-14840-QBSLT1	4
N	QUEEN BED SLAT WITH 1 SUPPORT LEG	PB-14840-QBSLT2	8
O	QUEEN BED SLAT WITH 2 SUPPORT LEG	PB-14840-QBSLT3	1
P	BED SLATS SUPPORT LEG WITH LEVELER	PB-14840-BDSPL1	8
Q	BED SLATS SUPPORT LEG WITHOUT LEVELER	PB-14840-BDSPL2	2

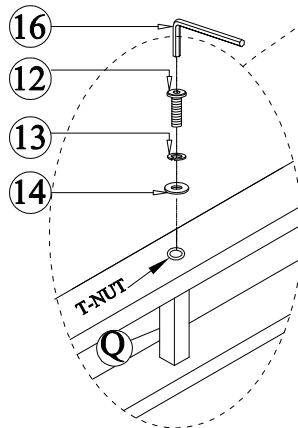
⚠ Only tighten all bolts when all bolts aligned with bolt inserts.



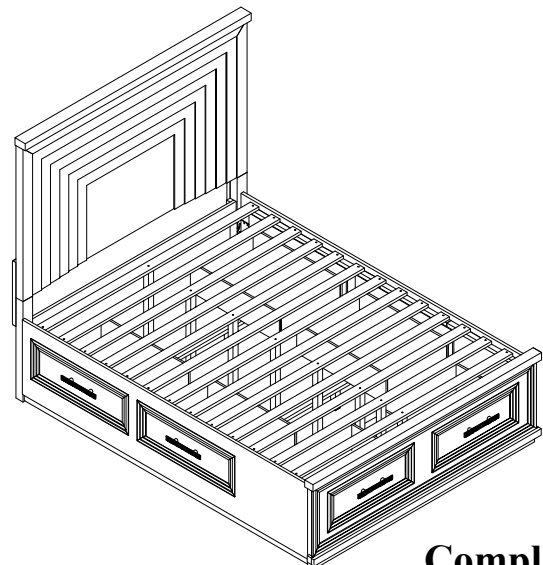
Step 14



Step 12



Step 13



Complete