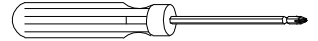






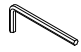
Thank you for purchasing this quality product. Be sure to check all packing material carefully for small parts that may have come loose inside the carton during shipment.

TOOL REQUIRED (NOT PROVIDED):
PHILLIPS SCREW DRIVER

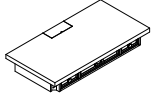
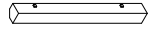
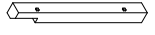
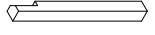
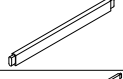



DESK BOX

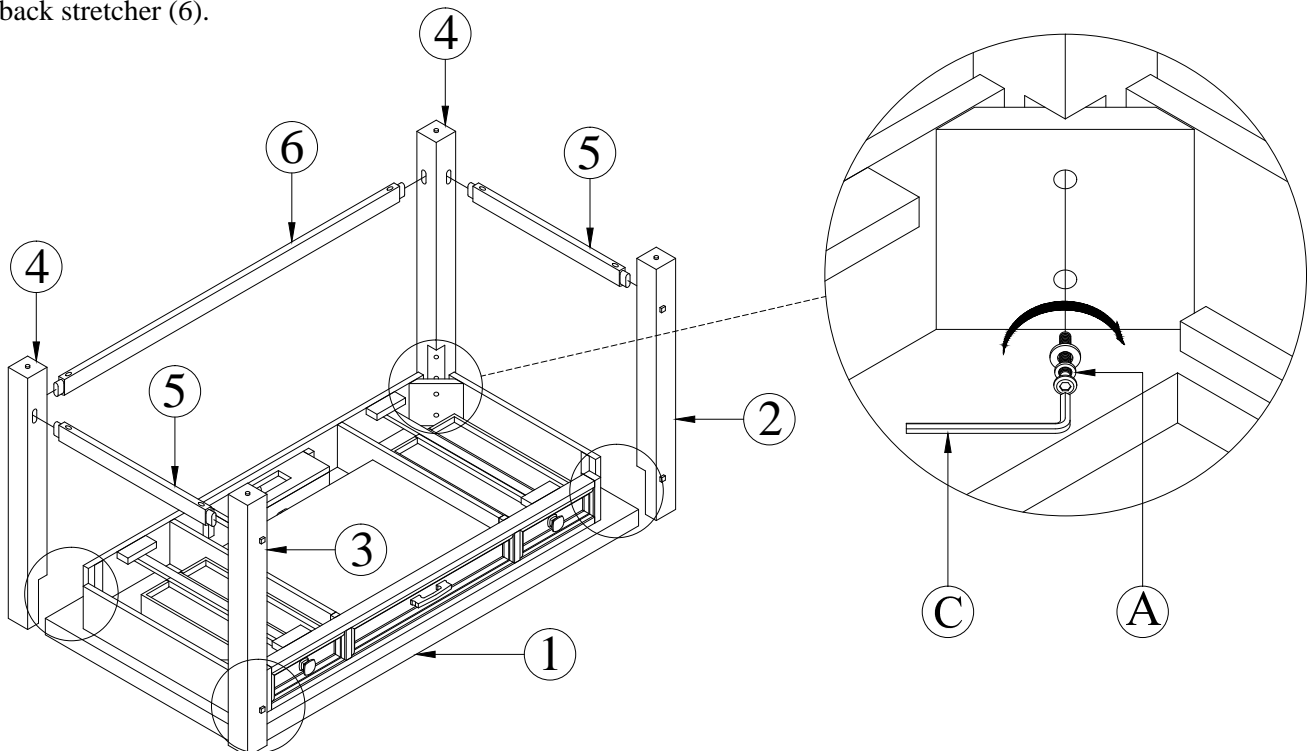
LIST OF HARDWARE

No.	Description		Q'ty
A		Bolt Φ5/16"*11.5*57mm	8
		Flat washer Φ5/16"*22*2mm	
		Spring washer Φ5/16"*13*2mm	
B		Screw Φ8*50mm	6
C		Allen Key 4*74*29mm	1

LIST OF PARTS

No.	Description	Picture	Q'ty
1	Desk top		1
2	Front leg left		1
3	Front leg right		1
4	Back leg		2
5	Side stretcher		2
6	Back stretcher		1

STEP 1: Laying the desk top (1) upside down. Attach front leg left (2), front leg right (3) & back leg (4) to desk top (1) by using allen key (C), and bolt with spring washer & flat washer (A). Meanwhile pre-attached the side stretcher (5) and back stretcher (6).



ITEM NO.: 2678-44

SKU#: 20020310034

ITEM NO.: 2681-44

SKU#: 20064354014

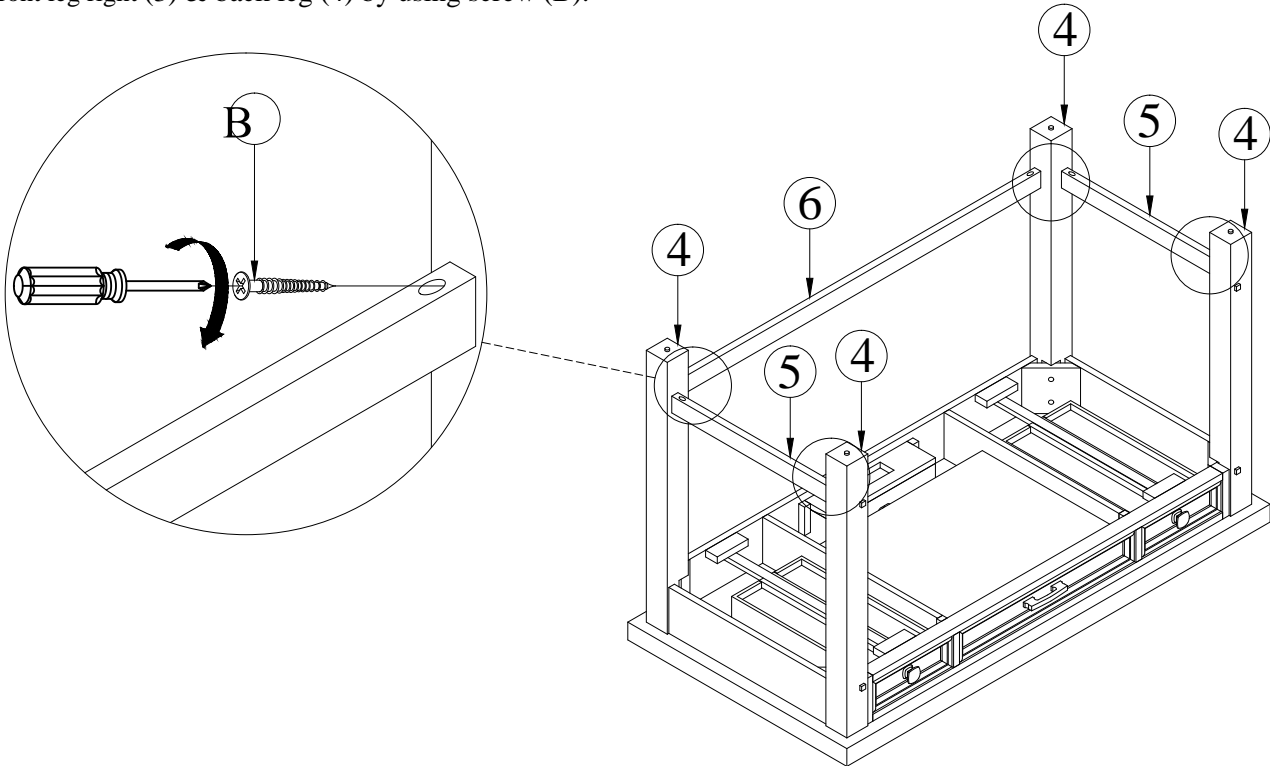
ITEM NO.: 2692-44

SKU#: 10001873008

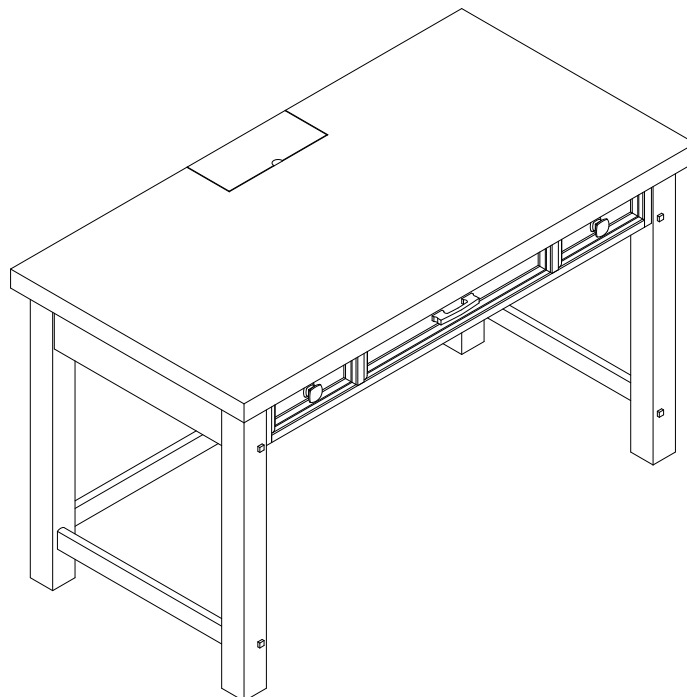
DESK

Thank you for purchasing this quality product. Be sure to check all packing material carefully for small parts that may have come loose inside the carton during shipment.

STEP 2: Please use a screwdriver (not provided) to attach side stretcher (5), back stretcher (6) to front leg left (2), front leg right (3) & back leg (4) by using screw (B).



ASSEMBLY COMPLETE





WARNING: To avoid serious personal injury:

- Carefully and strictly follow assembly instructions. Improper assembly of furniture can result in structural failure, instability of the product, or tip-over.
- Monitor and carefully control the assembly components. These include small parts and hardware that may present a choking hazard to small children. Bob's furniture should be assembled only by responsible adults and children should not be involved in the assembly process.
- Where provided, wall mounting hardware should always be used as prescribed in these instructions to anchor furniture to walls. Proper use of the wall mounting hardware can significantly reduce the potential for furniture tip-over and crushing injuries.

CAUTION: Changes or modifications not expressly approved by the party responsible for compliance could void the user's authority to operate the equipment.

Note: This equipment has been tested and found to comply with the limits for a Class B digital device, pursuant to part 15 of the FCC Rules. These limits are designed to provide reasonable protection against harmful interference in a residential installation. This equipment generates, uses and can radiate radio frequency energy and, if not installed and used in accordance with the instructions, may cause harmful interference to radio communications. However, there is no guarantee that interference will not occur in a particular installation. If this equipment does cause harmful interference to radio or television reception, which can be determined by turning the equipment off and on, the user is encouraged to try to correct the interference by one or more of the following measures:

- Reorient or relocate the receiving antenna.
- Increase the separation between the equipment and receiver.
- Connect the equipment into an outlet on a circuit different from that to which the receiver is connected.
- Consult the dealer or an experienced radio/TV technician for help.