

Thank you for purchasing this quality product. Be sure to check all packing material carefully for small parts that may have come loose inside the carton during shipment.

TOOL REQUIRED (NOT PROVIDED):
PHILLIPS SCREW DRIVER



FOOTBOARD BOX

LIST OF HARDWARE					LIST OF PARTS			
No.	Description			Q'ty	No.	Description	Picture	Q'ty
A		Bolt	Φ1/4"*11.5*32mm	24	1	Front Frame		1
		Flat washer	Φ1/4"*18*2mm					
		Spring washer	Φ1/4"*11*2mm					
B		Bolt	Φ1/4"*11.5*70mm	6	2	Bottom Frame		1
		Flat washer	Φ1/4"*18*2mm					
		Spring washer	Φ1/4"*11*2mm					
C		Allen Key	4*74*29mm	1	3	Drawer Front Panel		2
					4	Drawer Back Panel		2
					5	Drawer Side Panel		4
					6	Drawer Support Leg		4
					7	Slat Roll		1
					8	Slat		2
					9	Support Leg 1		4
					10	Support Leg 2		8
					11	Support Leg 3		1

ITEM NO.: 2678-C31USF

SKU#: 20020310052

ITEM NO.: 2681-C31USF

SKU#: 20064354039

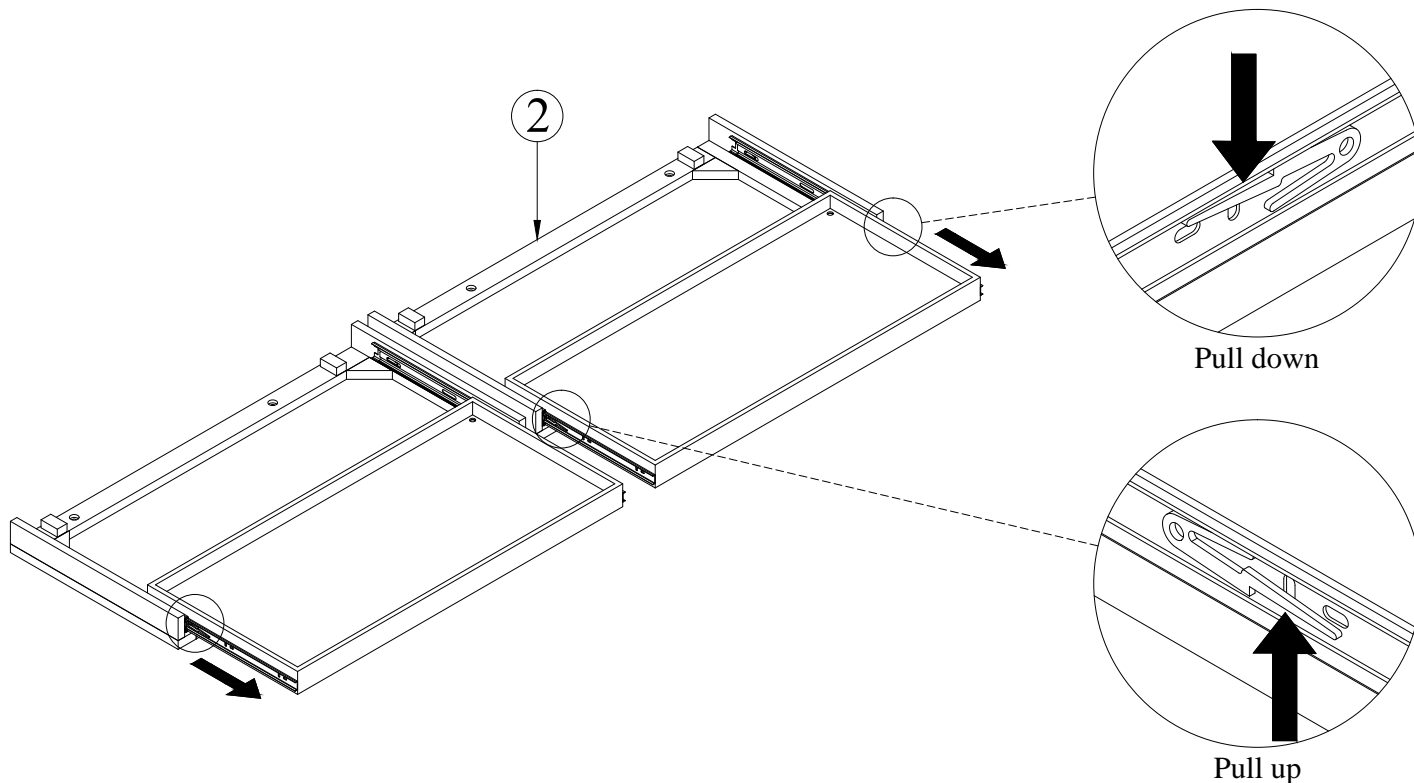
ITEM NO.: 2692-C31USF

SKU#: 10001873005

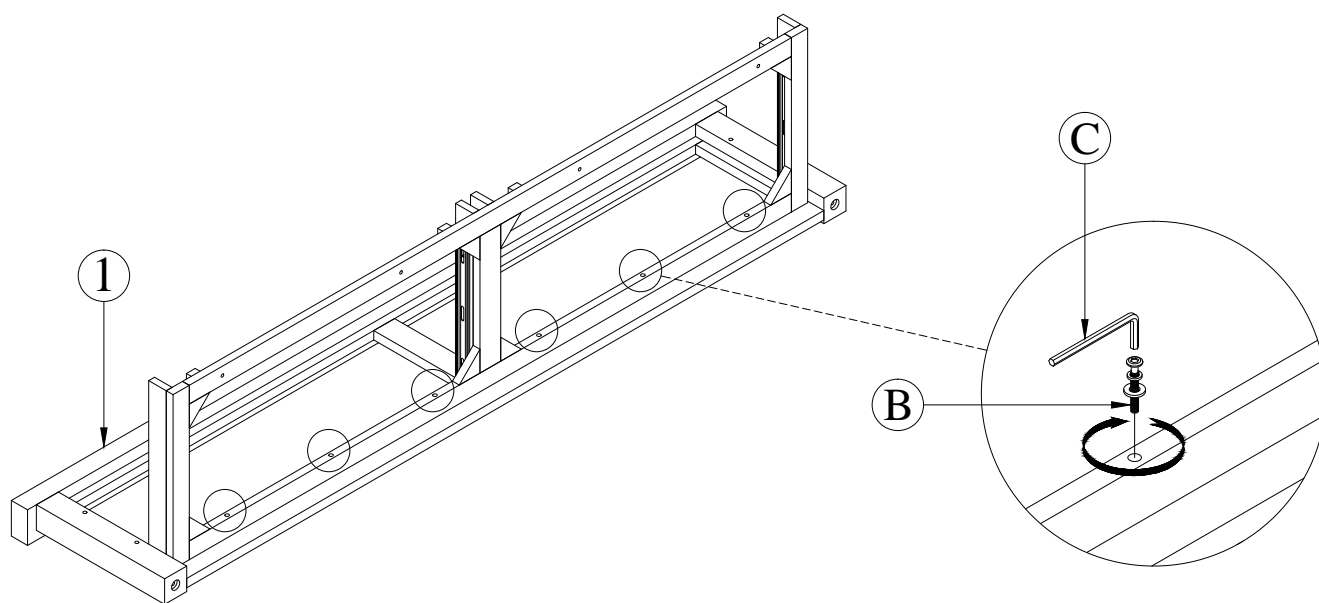
CL KG KD ST FB/SLT

Thank you for purchasing this quality product. Be sure to check all packing material carefully for small parts that may have come loose inside the carton during shipment.

STEP 1: Laying the bottom frame (2) on a soft and clean surface. Take out the bottom drawers on both sides.



STEP 2: Attach bottom frame (2) to front frame (1) by using Allen key (C) and bolt, spring washer, flat washer (B).



ITEM NO.: 2678-C31USF

SKU#: 20020310052

ITEM NO.: 2681-C31USF

SKU#: 20064354039

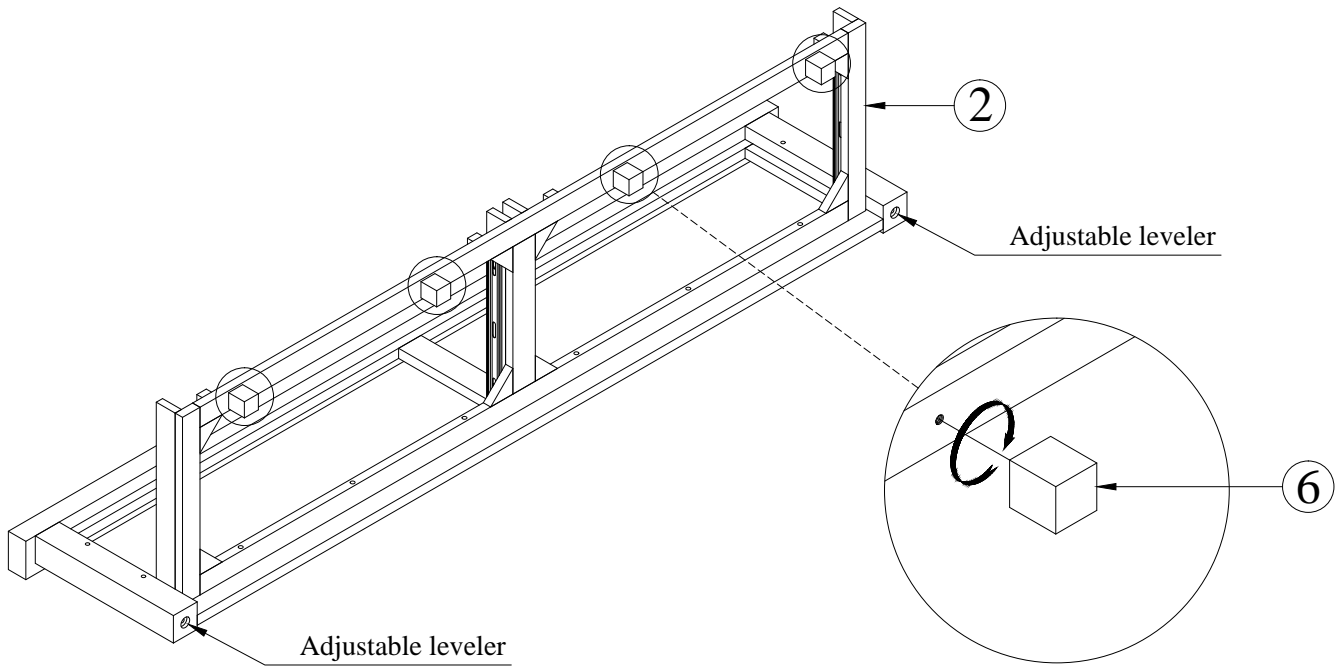
ITEM NO.: 2692-C31USF

SKU#: 10001873005

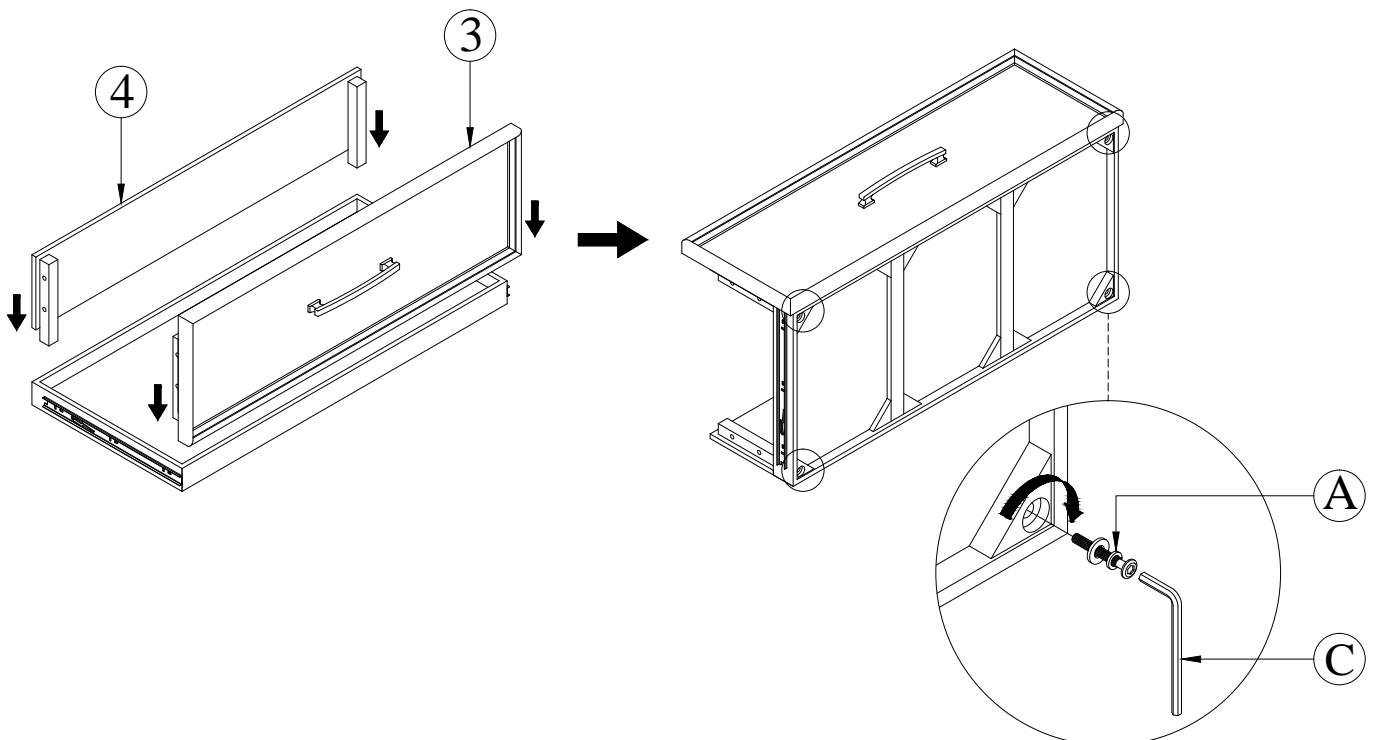
CL KG KD ST FB/SLT

Thank you for purchasing this quality product. Be sure to check all packing material carefully for small parts that may have come loose inside the carton during shipment.

STEP 3: Attach support leg (6) into bottom frame (2) by turning clockwise.



STEP 4: Attach drawer front panel (3) and drawer back panel (4) to bottom drawer by using Allen key (C) and bolt, spring washer, flat washer (A).



ITEM NO.: 2678-C31USF

SKU#: 20020310052

ITEM NO.: 2681-C31USF

SKU#: 20064354039

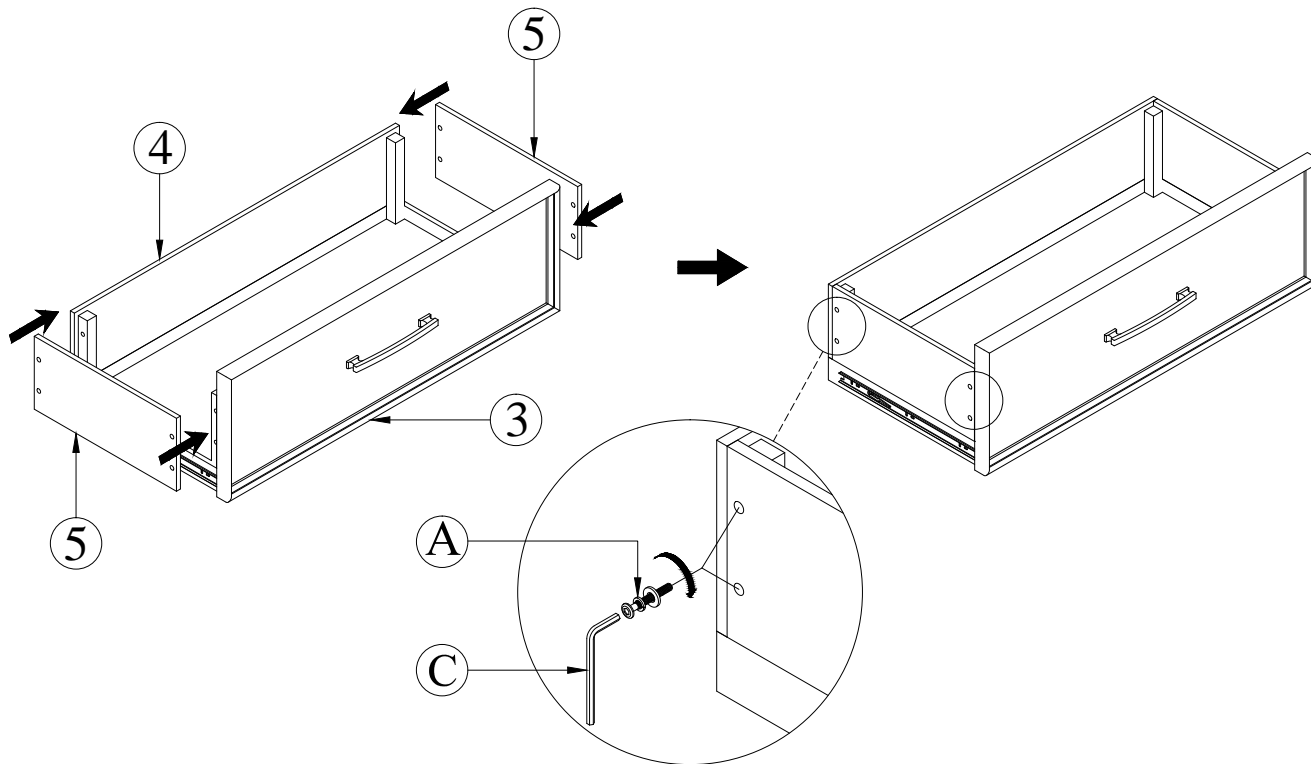
ITEM NO.: 2692-C31USF

SKU#: 10001873005

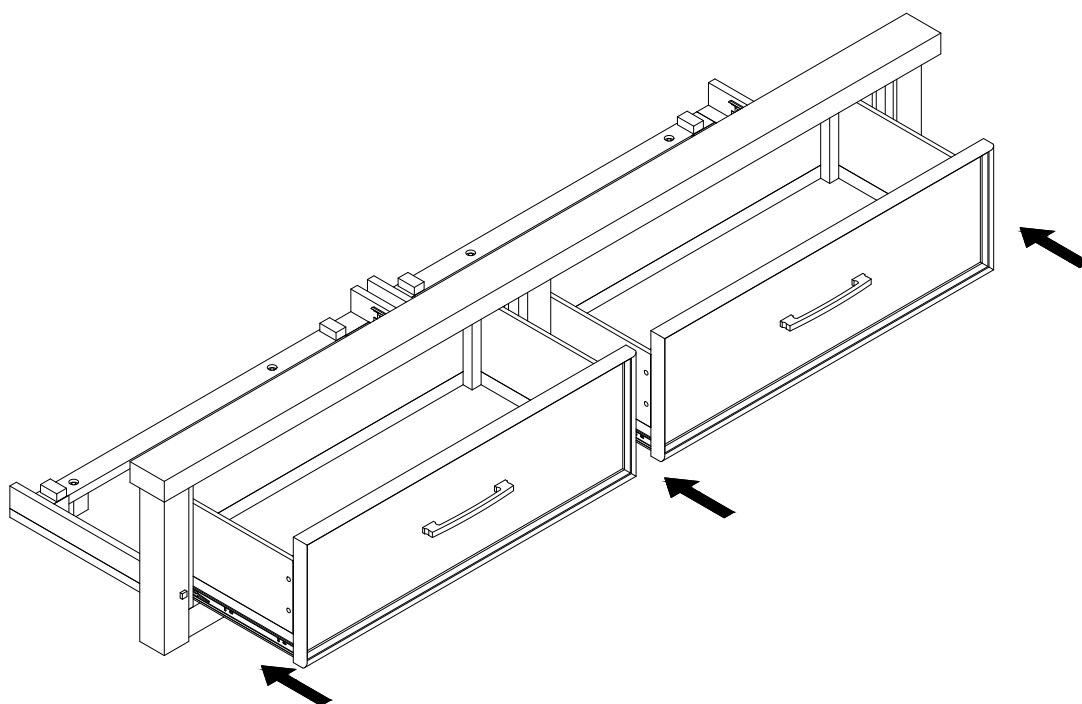
CL KG KD ST FB/SLT

Thank you for purchasing this quality product. Be sure to check all packing material carefully for small parts that may have come loose inside the carton during shipment.

STEP 5: Attach drawer side panel (5) to drawer front panel (3) and drawer back panel (4) by using Allen key (C) and bolt, spring washer, flat washer (A).



STEP 6: Put the drawers back in place.





WARNING: To avoid serious personal injury:

- Carefully and strictly follow assembly instructions. Improper assembly of furniture can result in structural failure, instability of the product, or tip-over.
- Monitor and carefully control the assembly components. These include small parts and hardware that may present a choking hazard to small children. Bob's furniture should be assembled only by responsible adults and children should not be involved in the assembly process.
- Where provided, wall mounting hardware should always be used as prescribed in these instructions to anchor furniture to walls. Proper use of the wall mounting hardware can significantly reduce the potential for furniture tip-over and crushing injuries.