





ASSEMBLY INSTRUCTIONS _pag.1

PARTS LIST	
A	 n° 18 STEEL WASHER (FOR QS) n° 21 STEEL WASHER (FOR KS)
B	 n° 6 SCREWS (FOR QS) + n° 9 SCREW (FOR KS) Ø8x40 mm
C	 12 SCREWS FOR BED Ø8x30mm
D	 n°6 SCREWS for bed 1-3/4"

Thank you for purchasing this quality product. Be sure to check all packing material carefully. Hardware package in carton 1 for headbord, footboard and rings, and in carton 3 for wings.

ATTENTION:

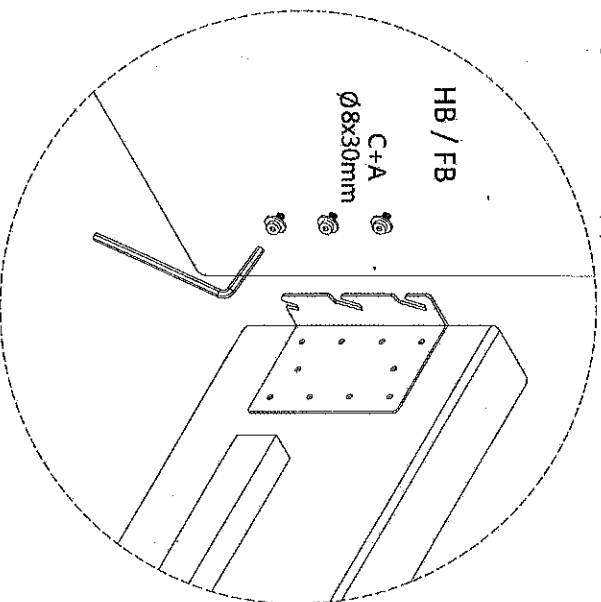
Do not tighten any corner brackets until all are secured.

VERY IMPORTANT:

1. At the beginning fix the bolts by hand and then close them with the allen key or electric screwdriver.
2. On the back side of headboard there is a zipper, open it to find the hardware pack and the slats.

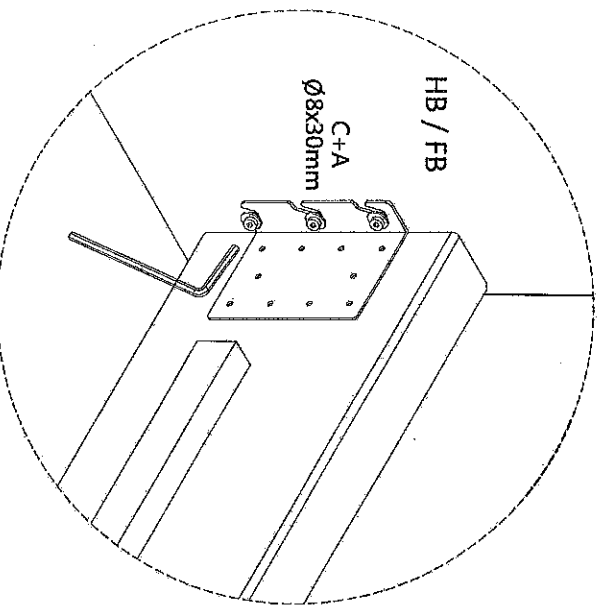
STEP 1

Pre-mount the screws (N) and the steel washers (L) for 3/4 of the length on the HEADBOARD and FOOTBOARD using allen wrench (R). **DON'T TIGHTEN.**



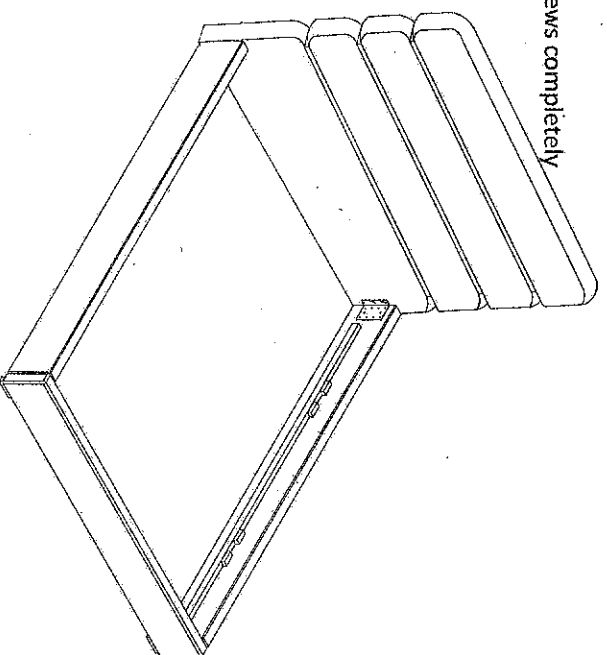
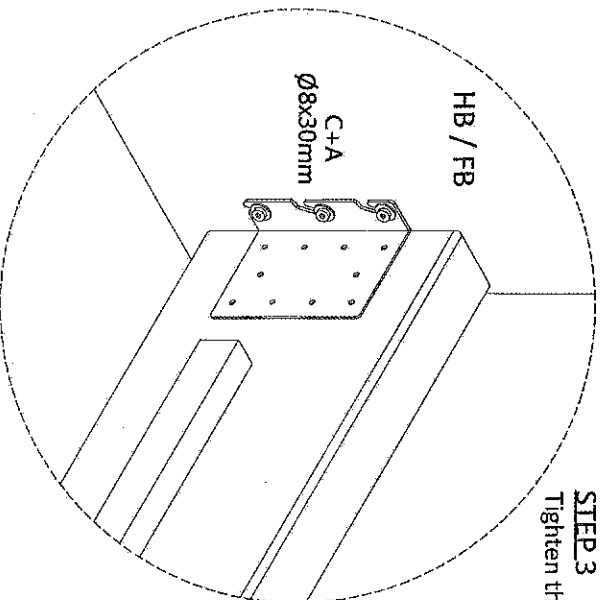
STEP 2

Hook the bracket of the rails on the headboard and footboard.



STEP 3

Tighten the screws completely



ASSEMBLY INSTRUCTIONS _pag.2

STEP 4

Screw the feet to the wooden slat. Tighten tight

Position the slats on the rails, place the screws (S) on the reference holes and screw them with the screwdriver.

