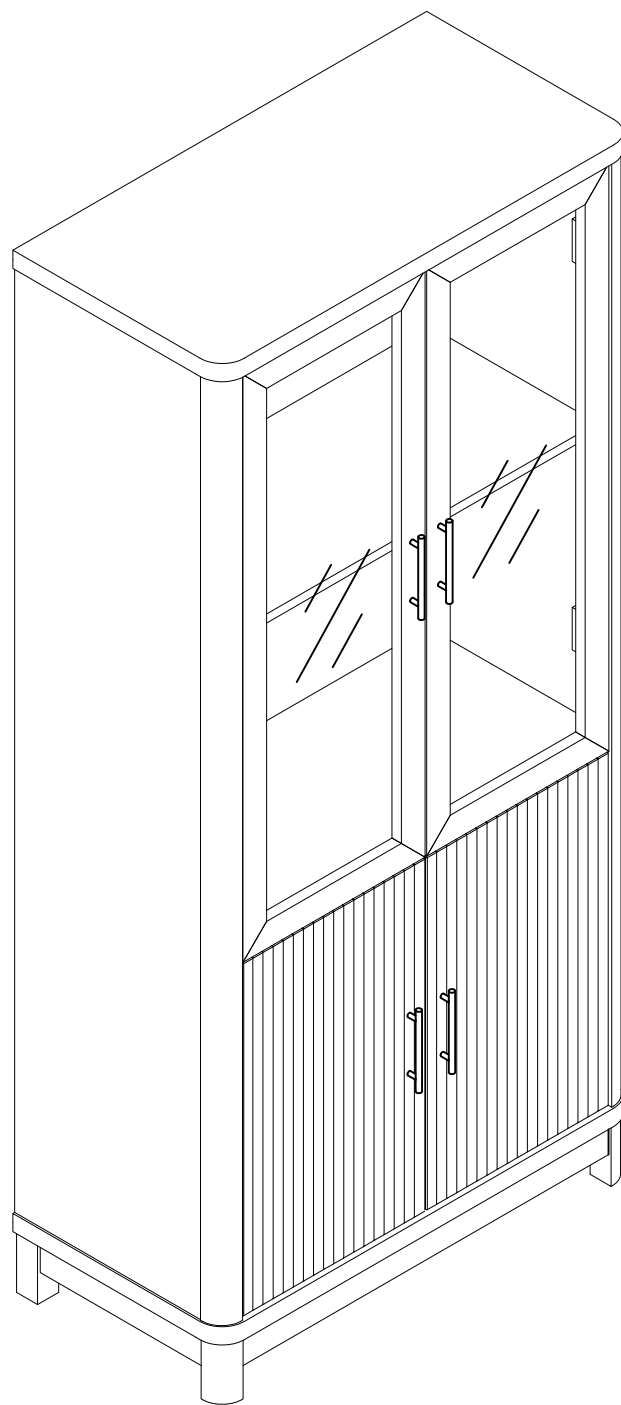
 **WARNING: To avoid serious personal injury:**

- Carefully and strictly follow assembly instructions. Improper assembly of furniture can result in structural failure, instability of the product, or tip-over.
- Monitor and carefully control the assembly components. These include small parts and hardware that may present a choking hazard to small children. Bob's furniture should be assembled only by responsible adults and children should not be involved in the assembly process.
- Where provided, wall mounting hardware should always be used as prescribed in these instructions to anchor furniture to wall. Proper use of the wall mounting hardware can significantly reduce the potential for furniture tip-over and crushing injuries.



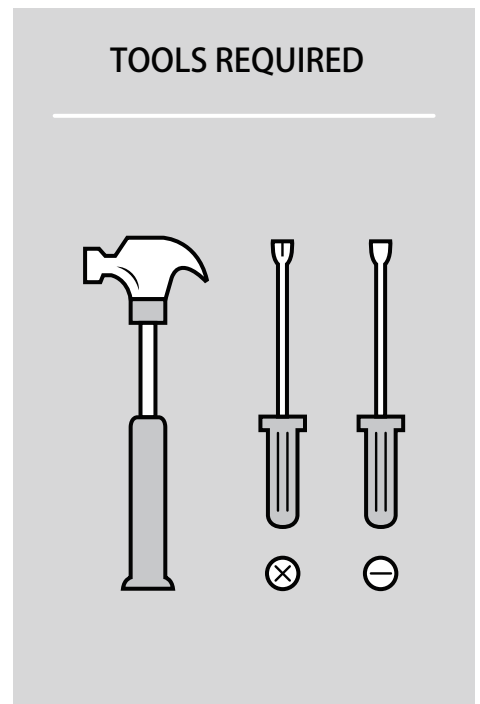
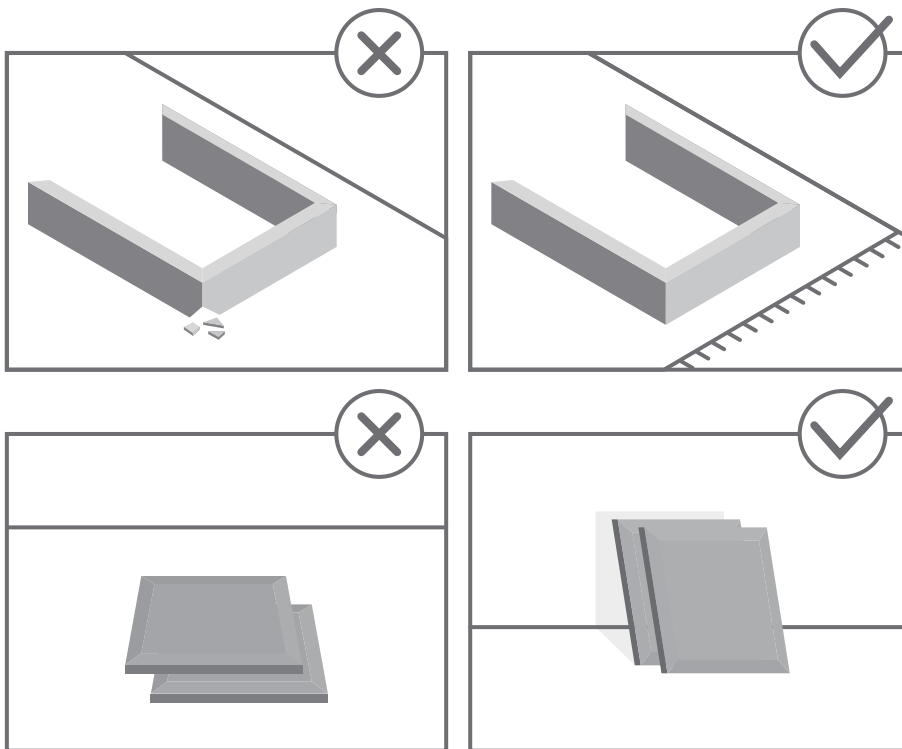


# STOP!

Before beginning the assembly process, ensure all boxes and parts have been delivered.

## FOR BEST RESULTS:

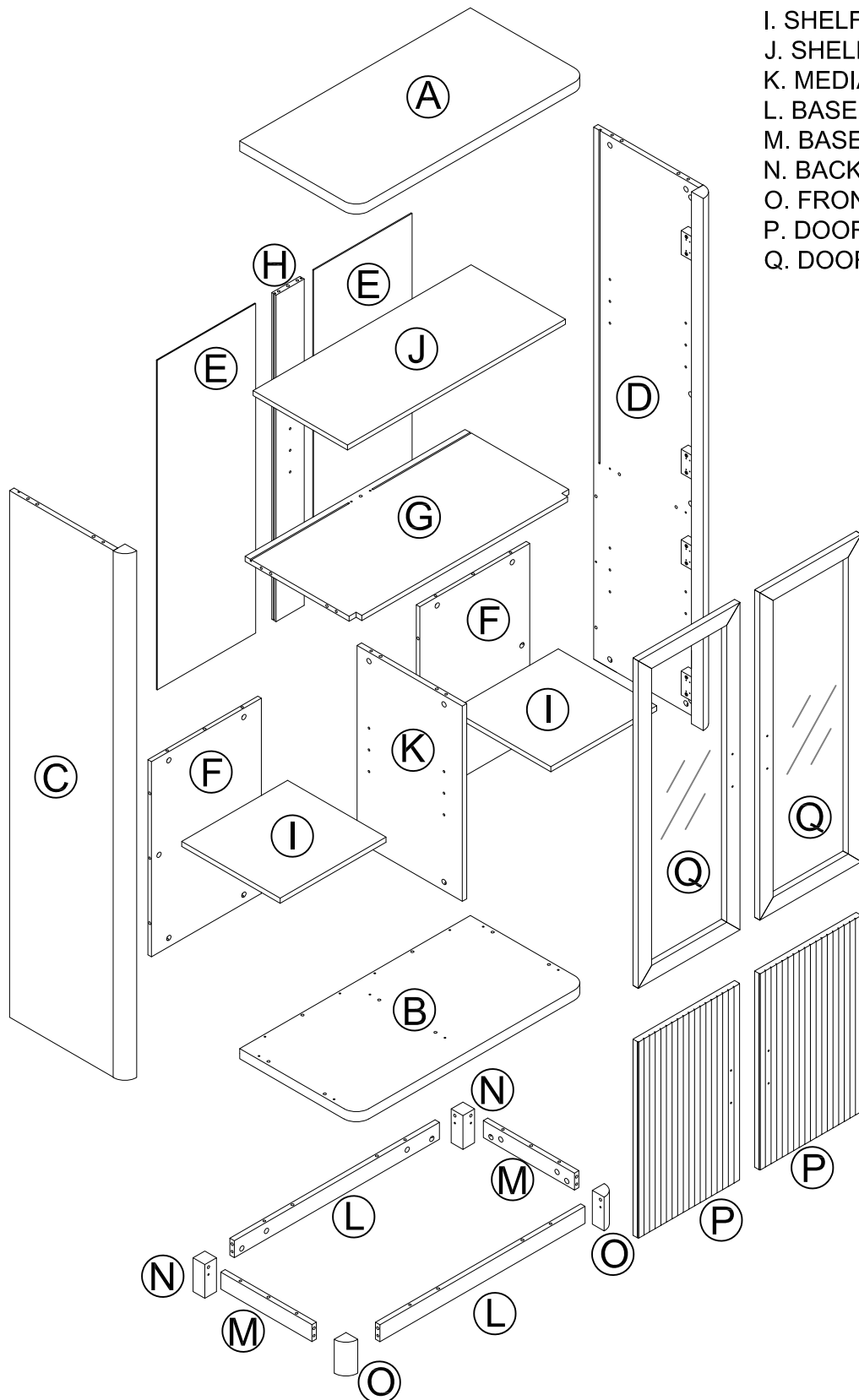
- Do not throw away packaging materials until assembly is complete.
- Assemble item on a soft surface, such as cardboard or carpet, to protect finish.
- Proper assembly requires two people.



# Included in this package:

---

- A. TOP (1)
- B. BOTTOM (1)
- C. LEFT PANEL (1)
- D. RIGHT PANEL (1)
- E. BACK PANEL (2)
- F. BACK PANEL (2)
- G. CENTER PANEL (1)
- H. BACK SUPPORT PANEL (1)
- I. SHELF PANEL (2)
- J. SHELF PANEL (1)
- K. MEDIAN PANEL (1)
- L. BASE FRONT BACK PANEL (2)
- M. BASE LEFT RIGHT PANEL (2)
- N. BACK LEG (2)
- O. FRONT LEG (2)
- P. DOOR (2)
- Q. DOOR (2)

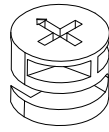


# Hardware Identification

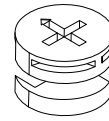
① KD BOLT - 46pcs  
L=25mm



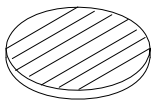
② KD CAM - 36pcs  
Ø15\*11mm



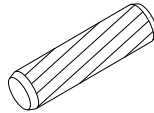
③ KD CAM - 10pcs  
Ø15\*9mm



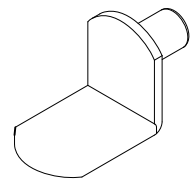
④ COVER CAP - 54pcs



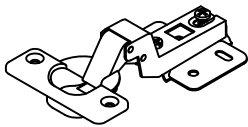
⑤ WOOD DOWEL-42pcs  
Ø8\*30mm



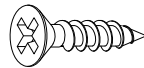
⑥ SHELF PEGS - 13pcs



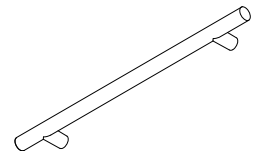
⑦ HINGE - 8pcs



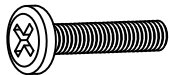
⑧ SCREW - 48pcs  
Ø4\*14mm



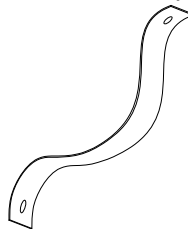
⑨ DOOR FULL - 4pcs



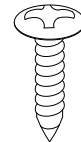
⑩ BOLTS - 8pcs  
5/32"\*25mm



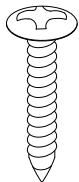
⑪ STRAPS - 2pcs



⑫ SCREW - 2pcs  
Ø4\*18mm



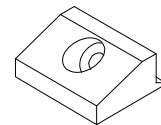
⑬ SCREW - 2pcs  
Ø4\*25mm



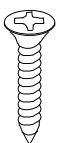
⑭ PLASTIC - 2pcs



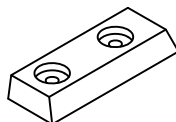
⑮ BUCKELE - 8pcs



⑯ SCREW - 8pcs  
Ø3\*17mm

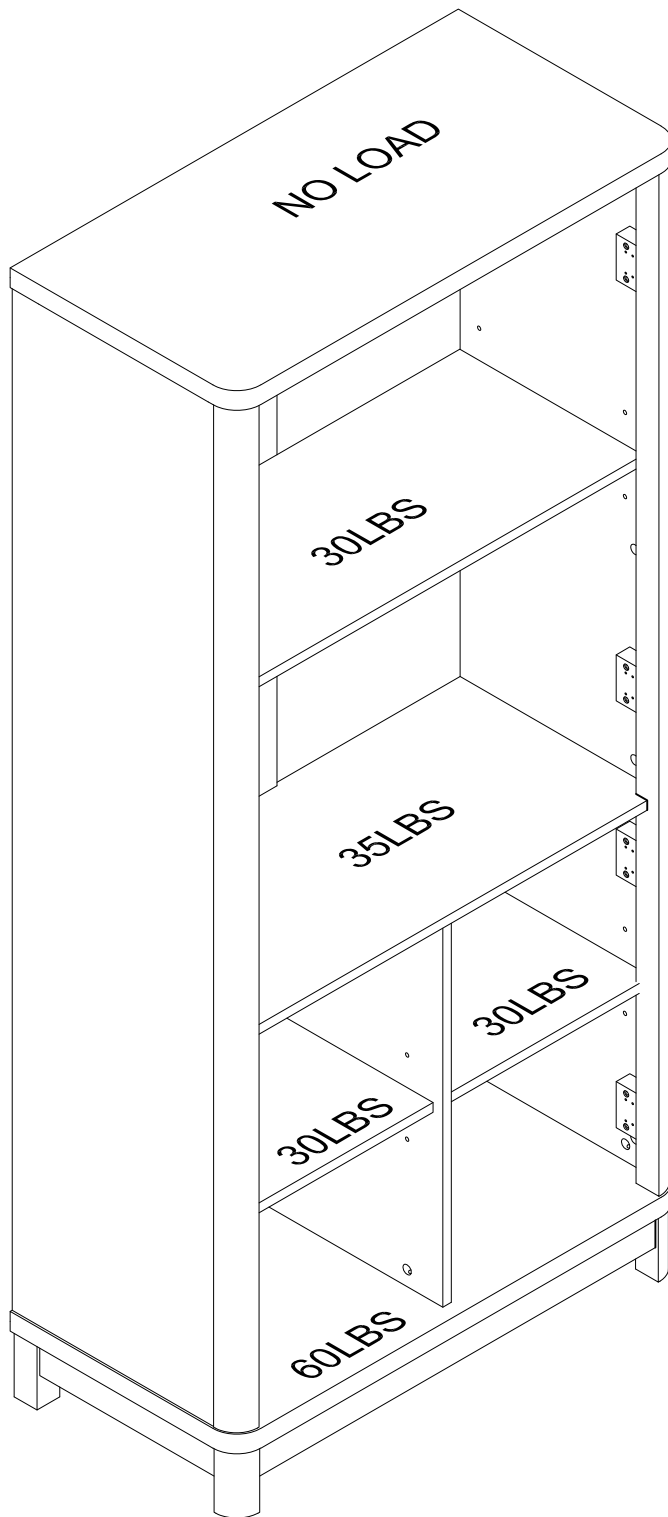


⑰ Door Stopper - 1pc



⑱ SCREW - 2pcs  
Ø3.5\*15mm

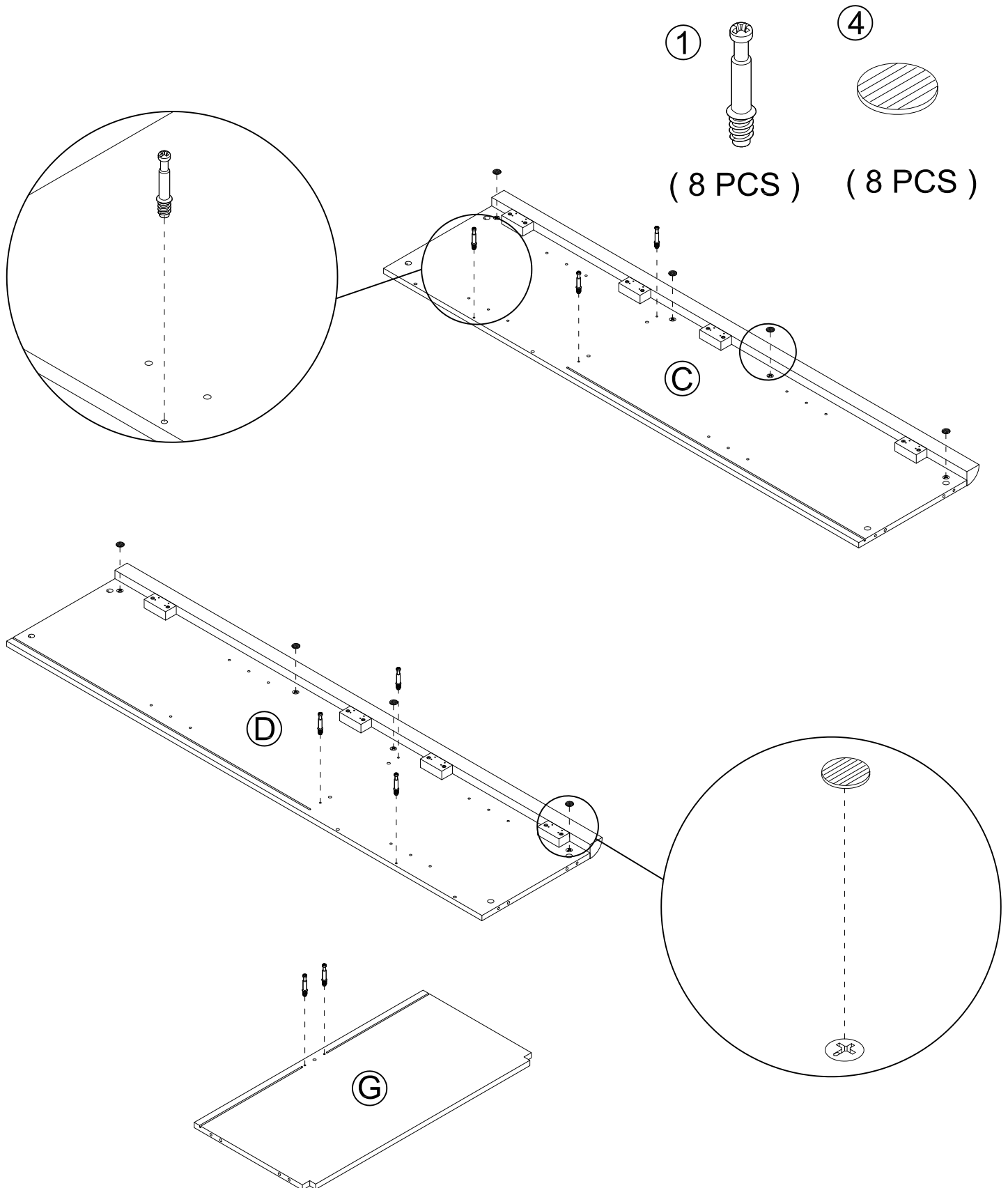




# Step 1:

---

\* Insert Eight KD BOLT (1) and Eight COVER CAP (4) to the LEFT PANEL (C), RIGHT PANEL (D) and CENTER PANEL (G).

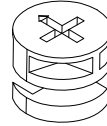


## Step 2:

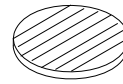
---

\* Attach the BACK SUPPORT PANEL (H) to the CENTER PANEL (G) by the Two KD CAM (2) , Two COVER CAP (4) , and One WOOD DOWEL (5).

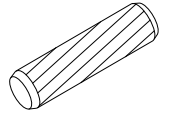
②



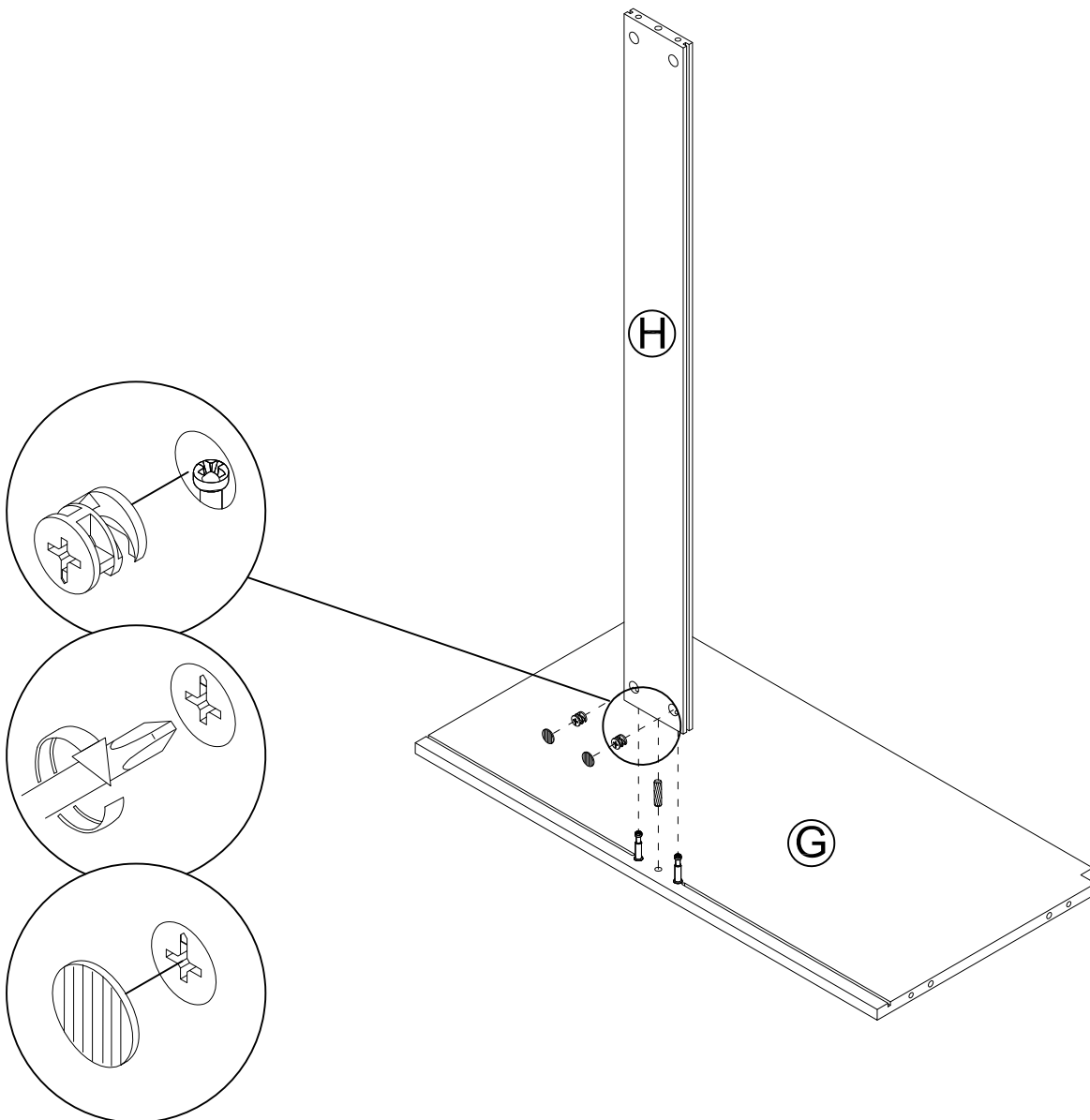
④



⑤



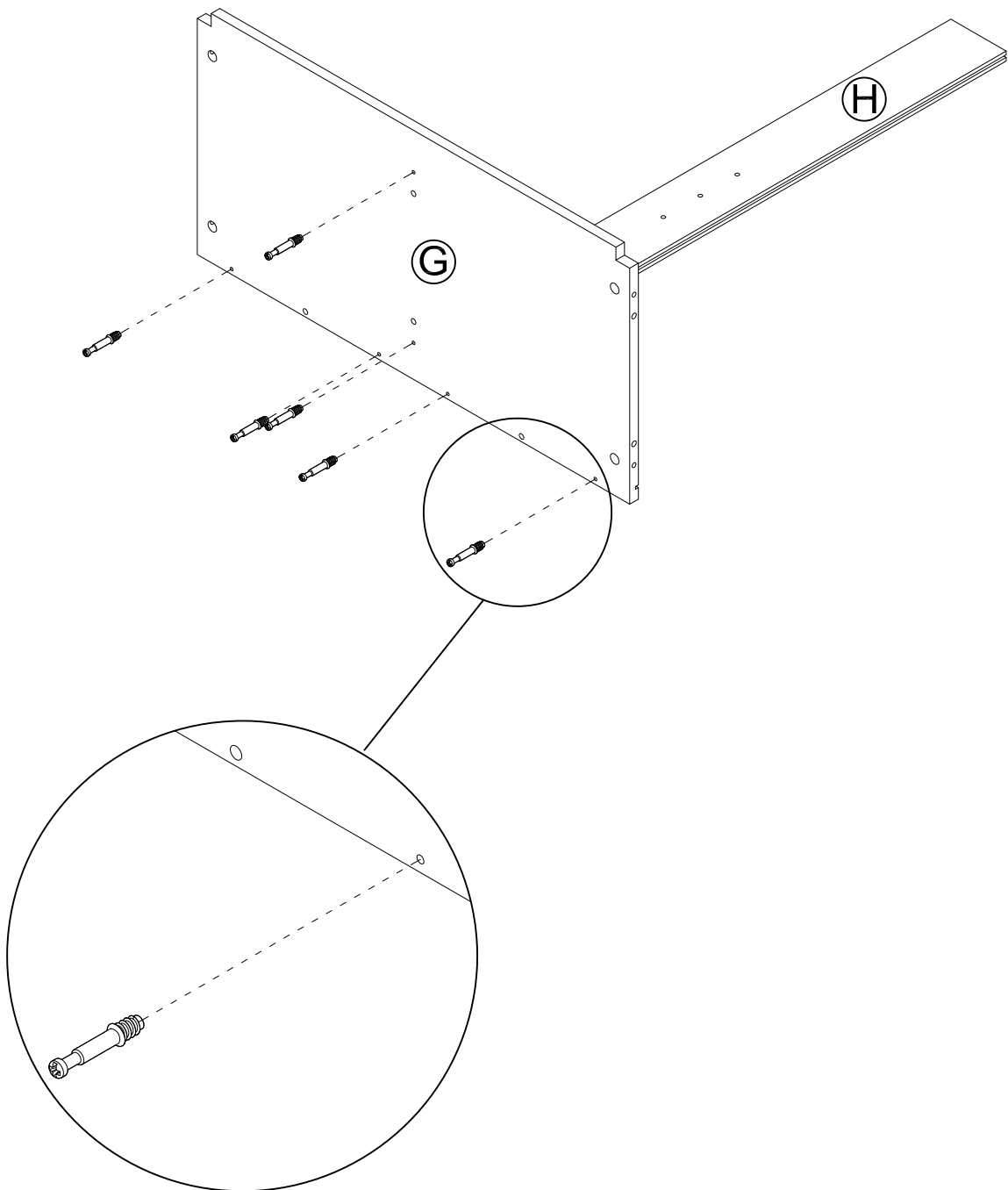
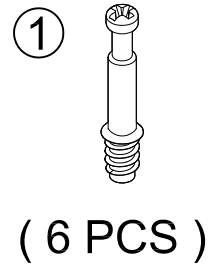
( 2 PCS ) ( 2 PCS ) ( 1 PCS )



# Step 3:

---

\* Insert Two KD BOLT (1) to the CENTER PANEL (G).

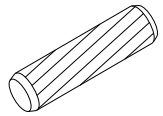


# Step 4:

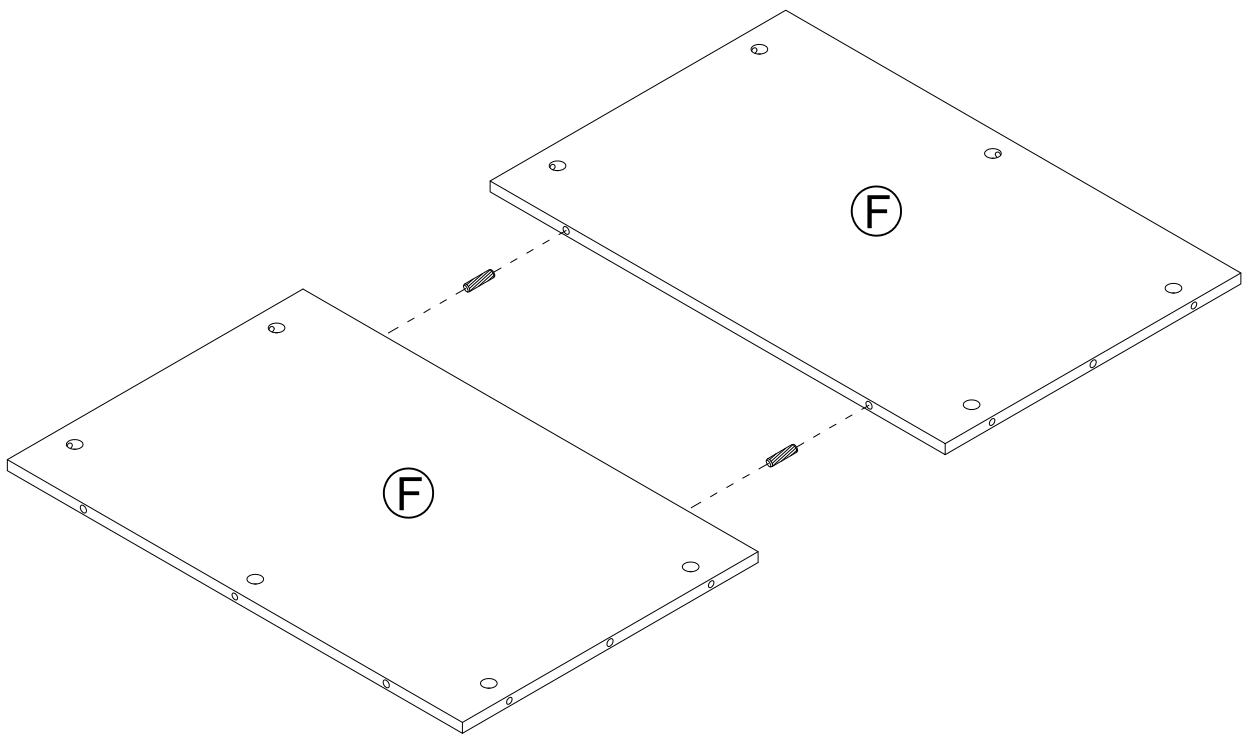
---

\* Attach the BACK PANEL (F) to the BACK PANEL (F) by the Two WOOD DOWEL (5) .

⑤



( 2 PCS )

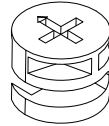


# Step 5:

---

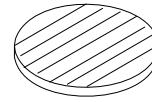
\* Attach the BACK PANEL (F) to the CENTER PANEL (G) by the Four KD CAM (3) , Four COVER CAP (4) , and Two WOOD DOWEL (5).

③



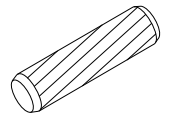
( 4 PCS )

④

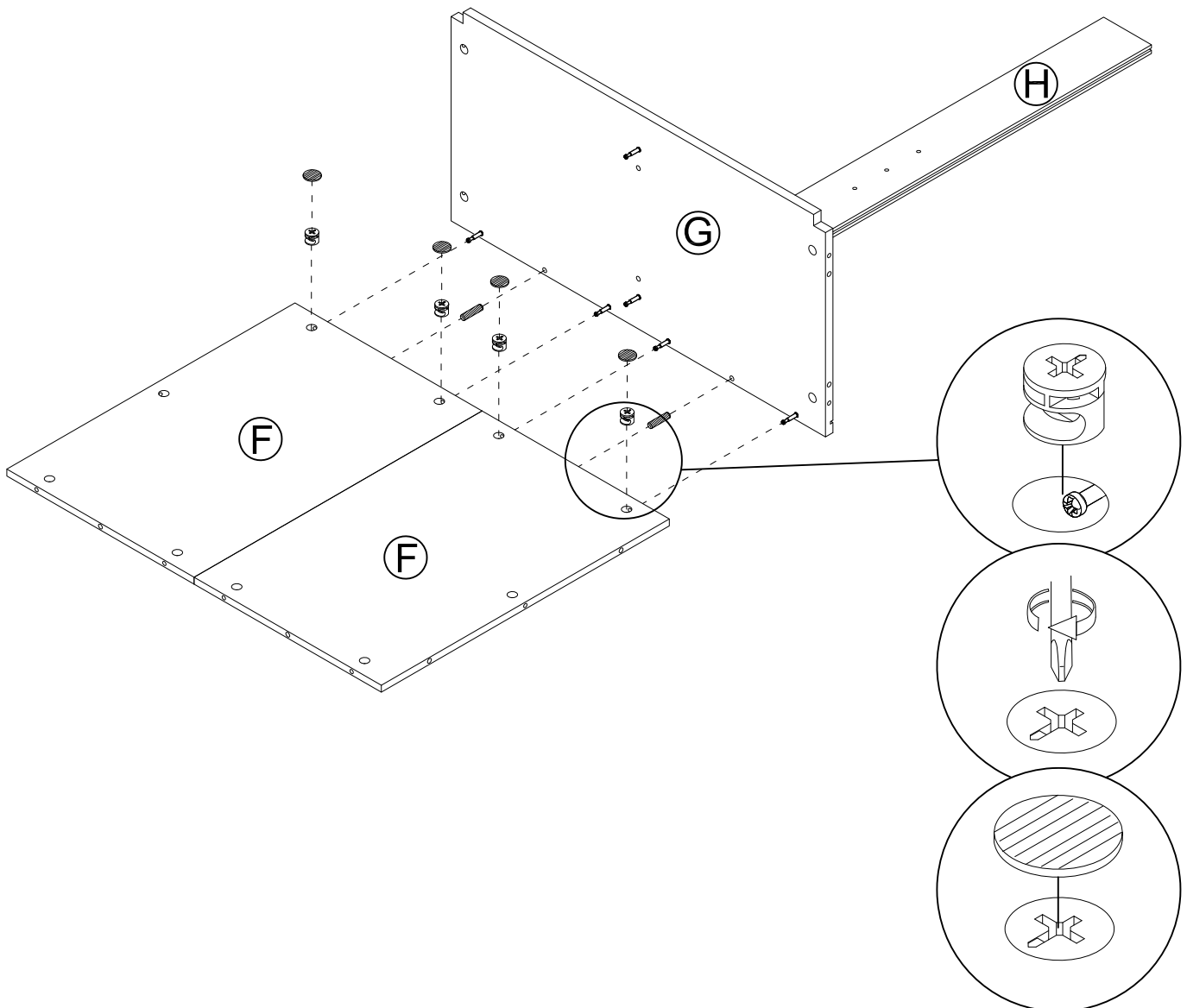


( 4 PCS )

⑤



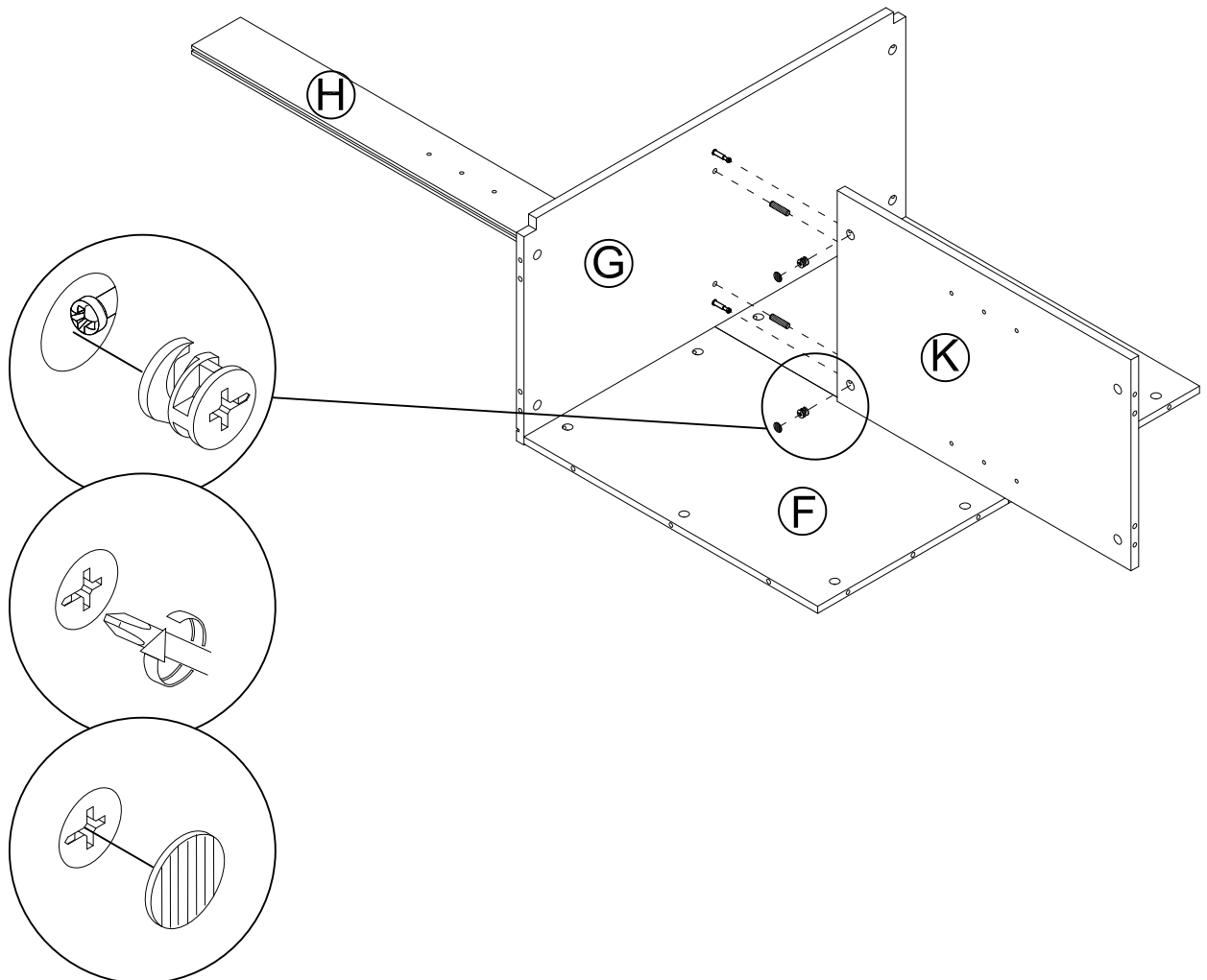
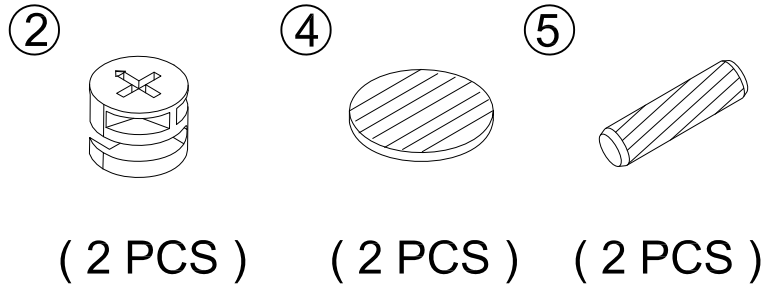
( 2 PCS )



## Step 6:

---

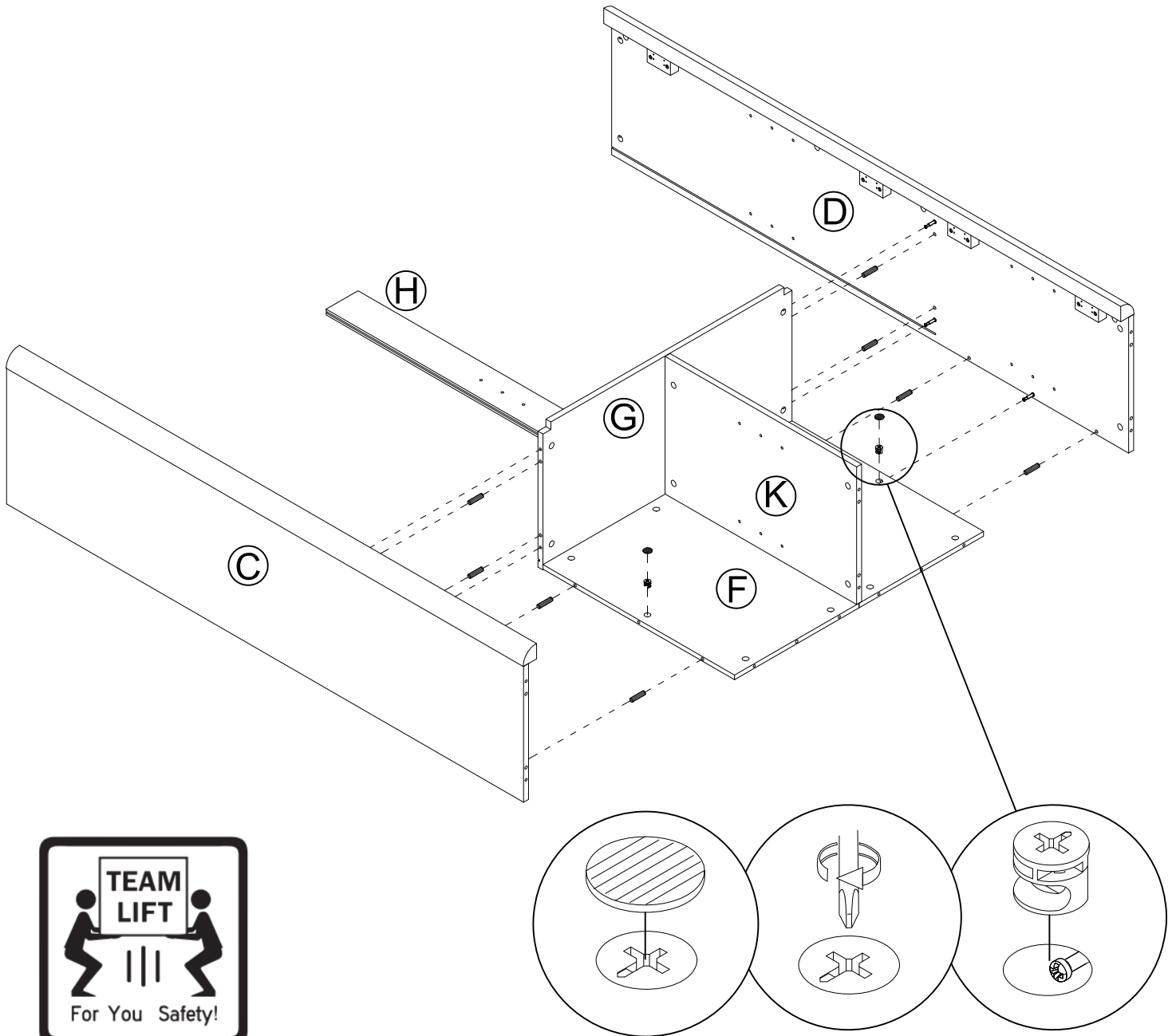
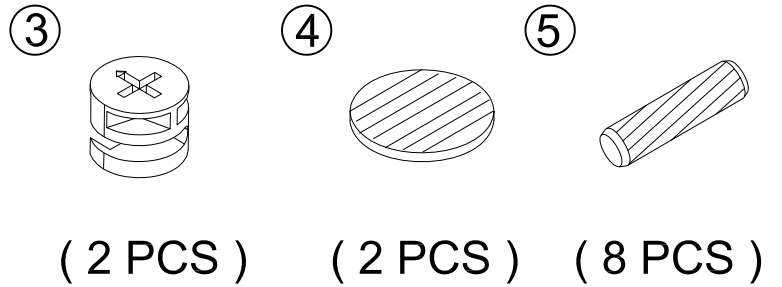
\* Attach the MEDIAN PANEL (K) to the CENTER PANEL (G) by the Two KD CAM (2) , Two COVER CAP (4) , and Two WOOD DOWEL (5).



# Step 7:

---

\* Attach the LEFT PANEL (C) and RIGHT PANEL (D) to the CENTER PANEL (G) and BACK PANEL (F) by the Two KD CAM (3) , Two COVER CAP (4) , and Eight WOOD DOWEL (5) .

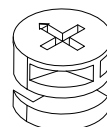


# Step 8:

---

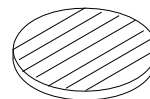
\* Insert Four KD CAM (2) and Four COVER CAP (4) .

②

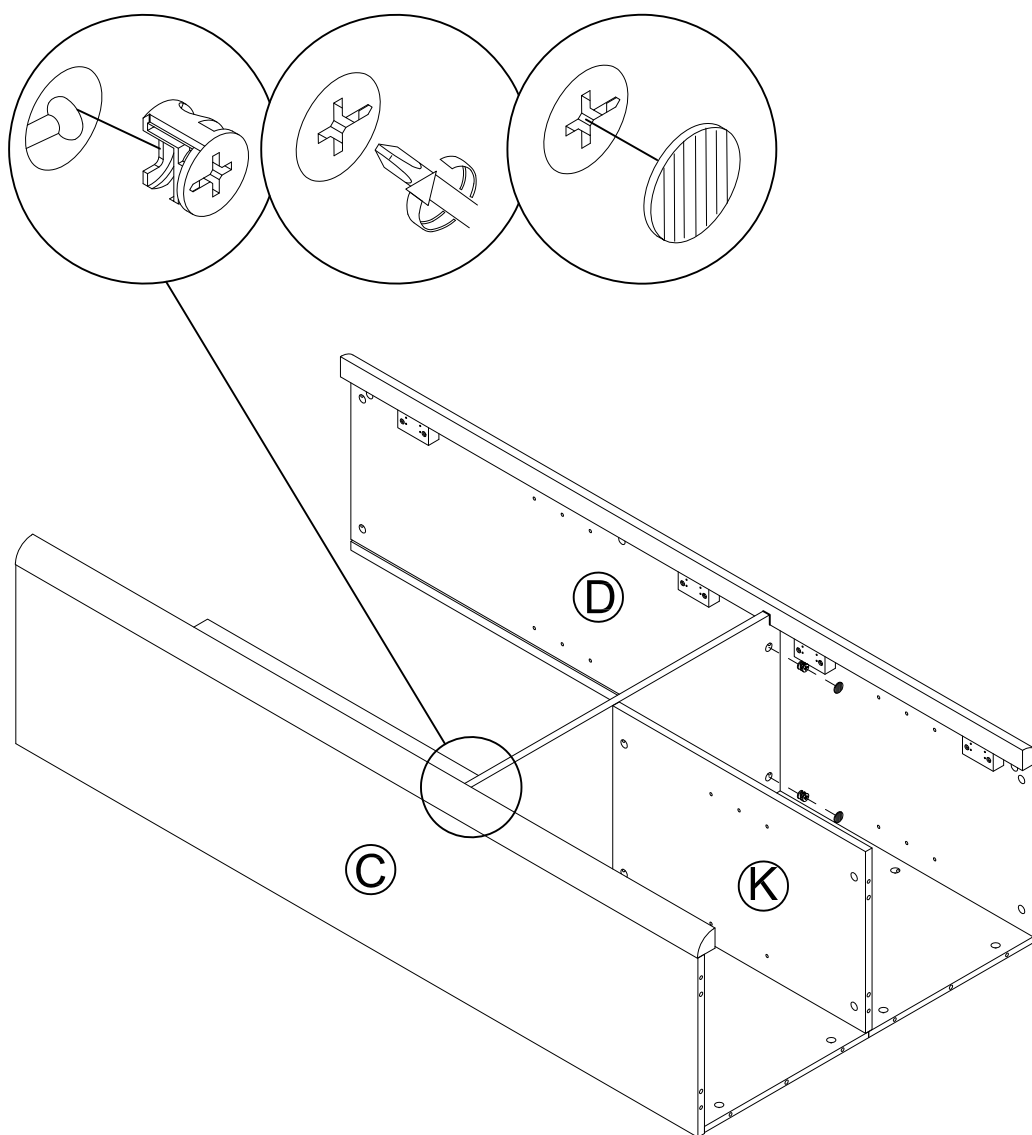


( 4 PCS )

④



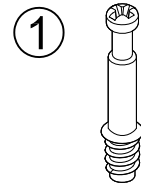
( 4 PCS )



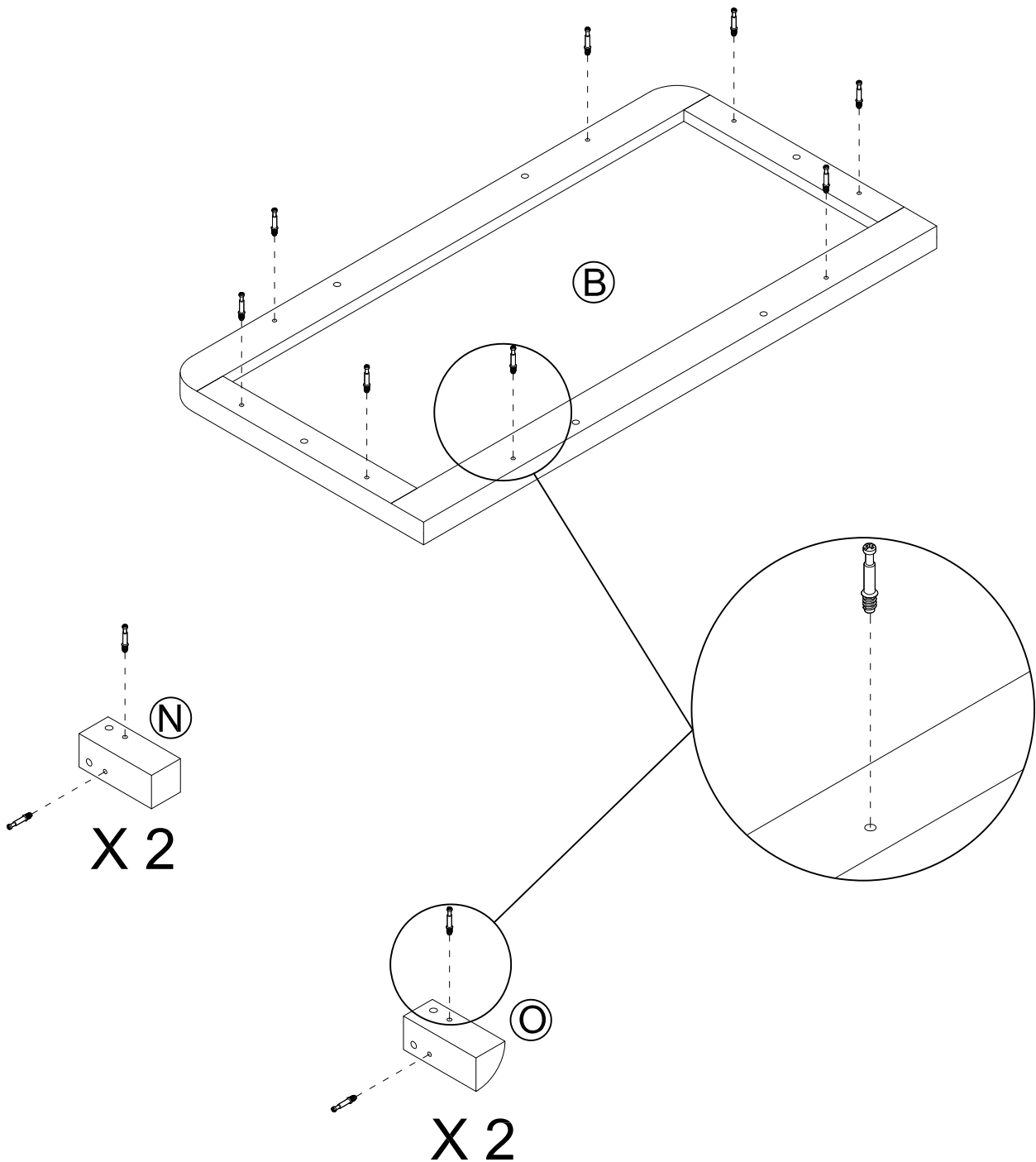
# Step 9:

---

\* Insert Sixteen KD BOLT (1) to the BOTTOM (B),  
Two BACK LEG (N) , Two FRONT LEG (O).



( 16 PCS )

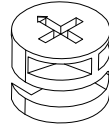


# Step 10:

---

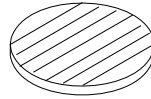
\* Attach the BACK LEG (N) and FRONT LEG (O) to the BASE LEFT RIGHT PANEL (M) by the Four KD CAM (2) , Four COVER CAP (4) , and Four WOOD DOWEL(5).

②



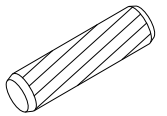
( 4 PCS )

④

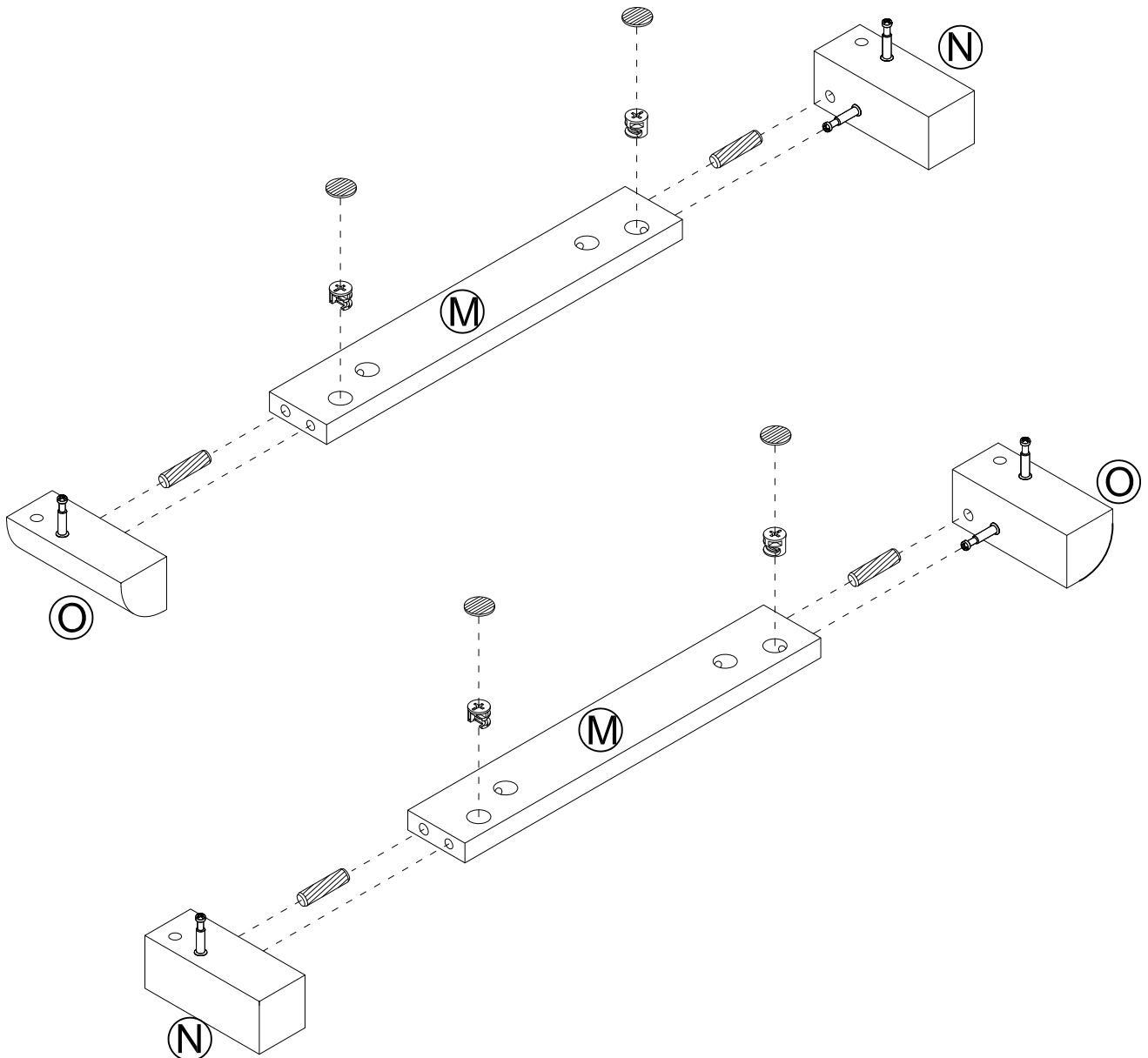


( 4 PCS )

⑤



( 4 PCS )

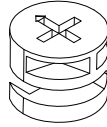


# Step 11:

---

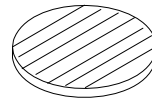
\* Attach the Two LEFT RIGHT LEG ASSEMBLY to the Two BASE FRONT BACK PANEL (L) by the Four KD CAM (2) , Four COVER CAP (4) , and Four WOOD DOWEL(5).

②



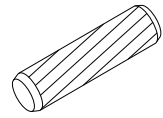
( 4 PCS )

④

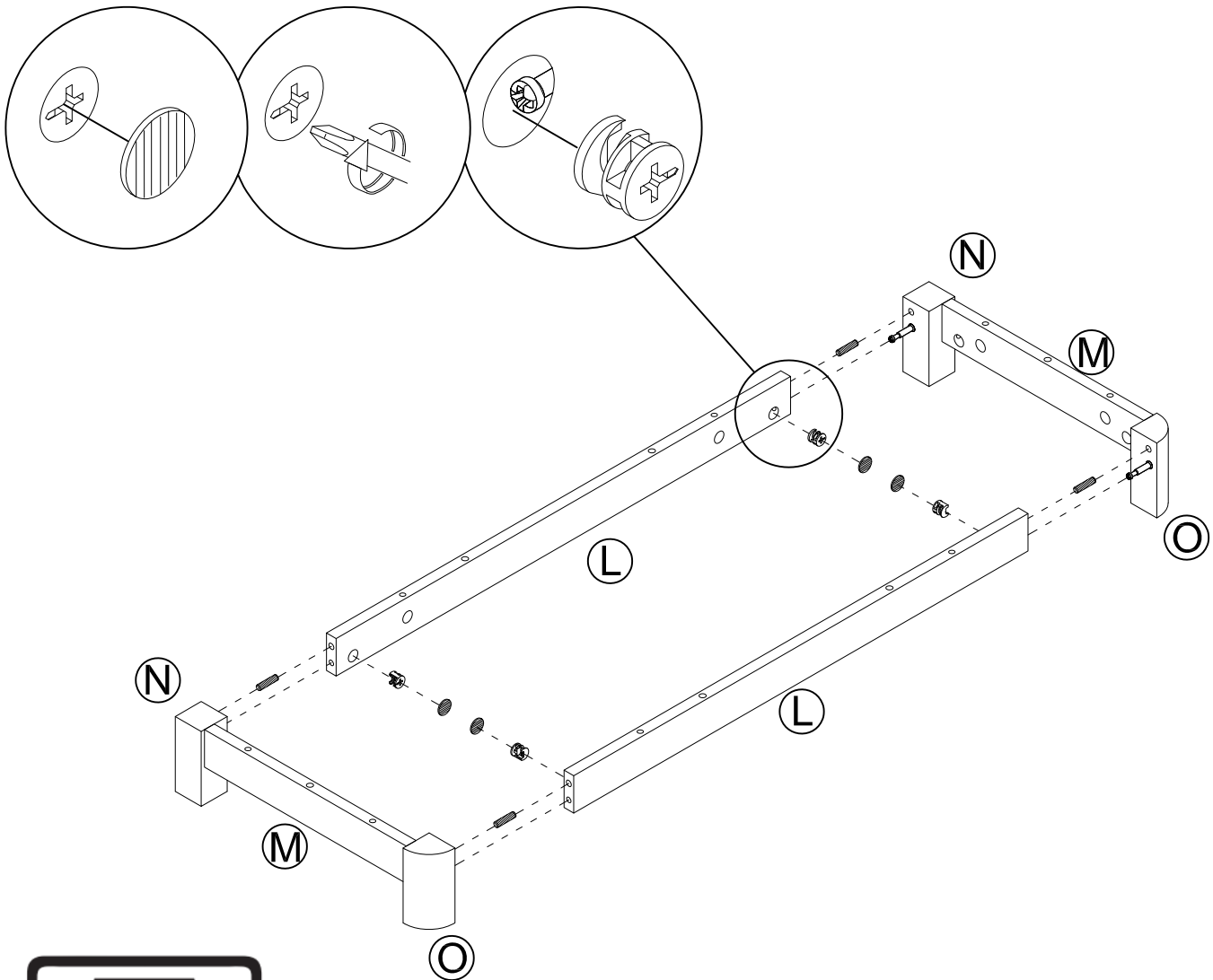


( 4 PCS )

⑤



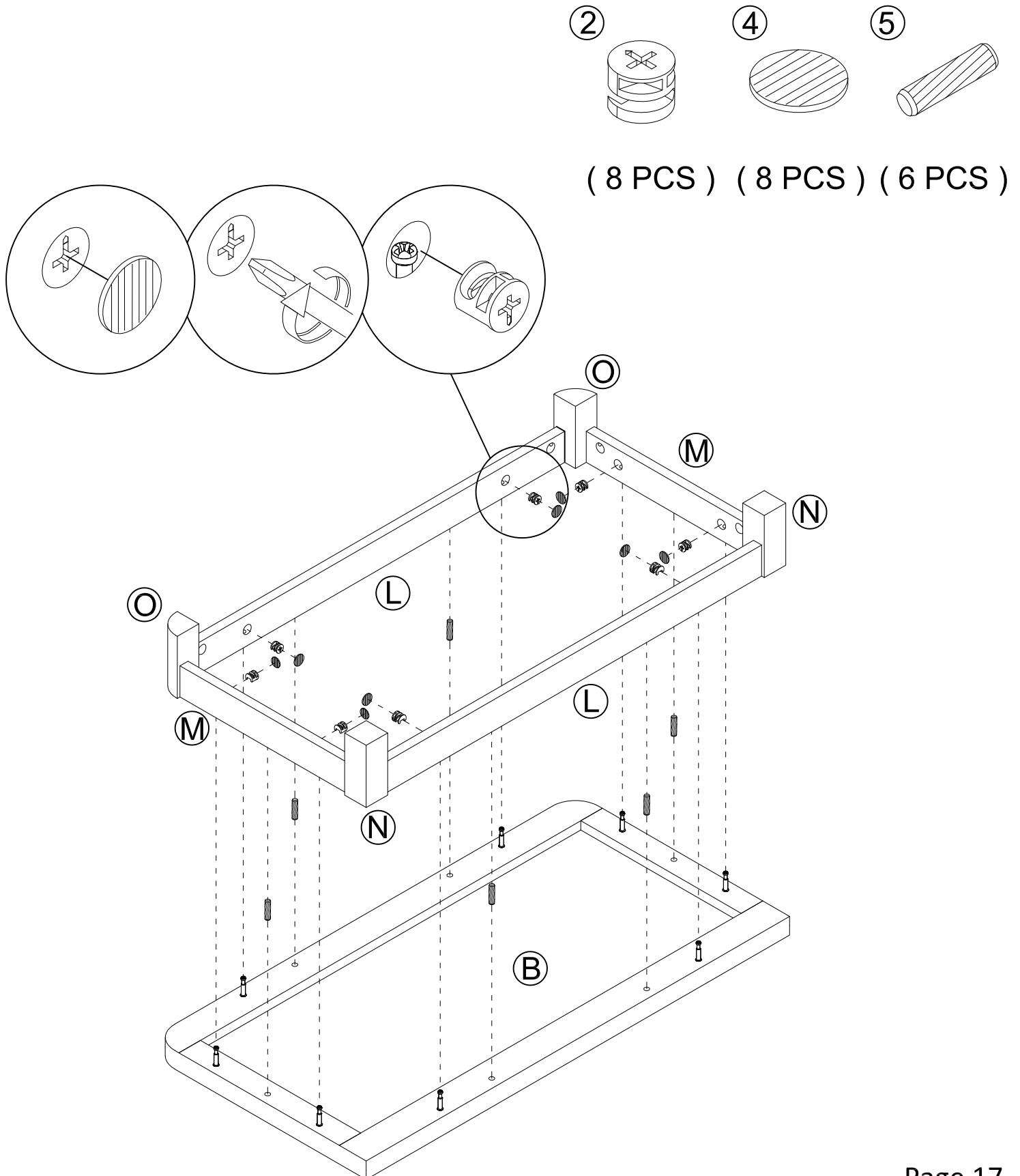
( 4 PCS )



# Step 12:

---

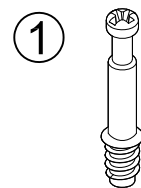
\* Attach the LEG ASSEMBLY to the BOTTOM (B) by the Eight KD CAM (2), Eight COVER CAP (4), and Eight WOOD DOWEL (5).



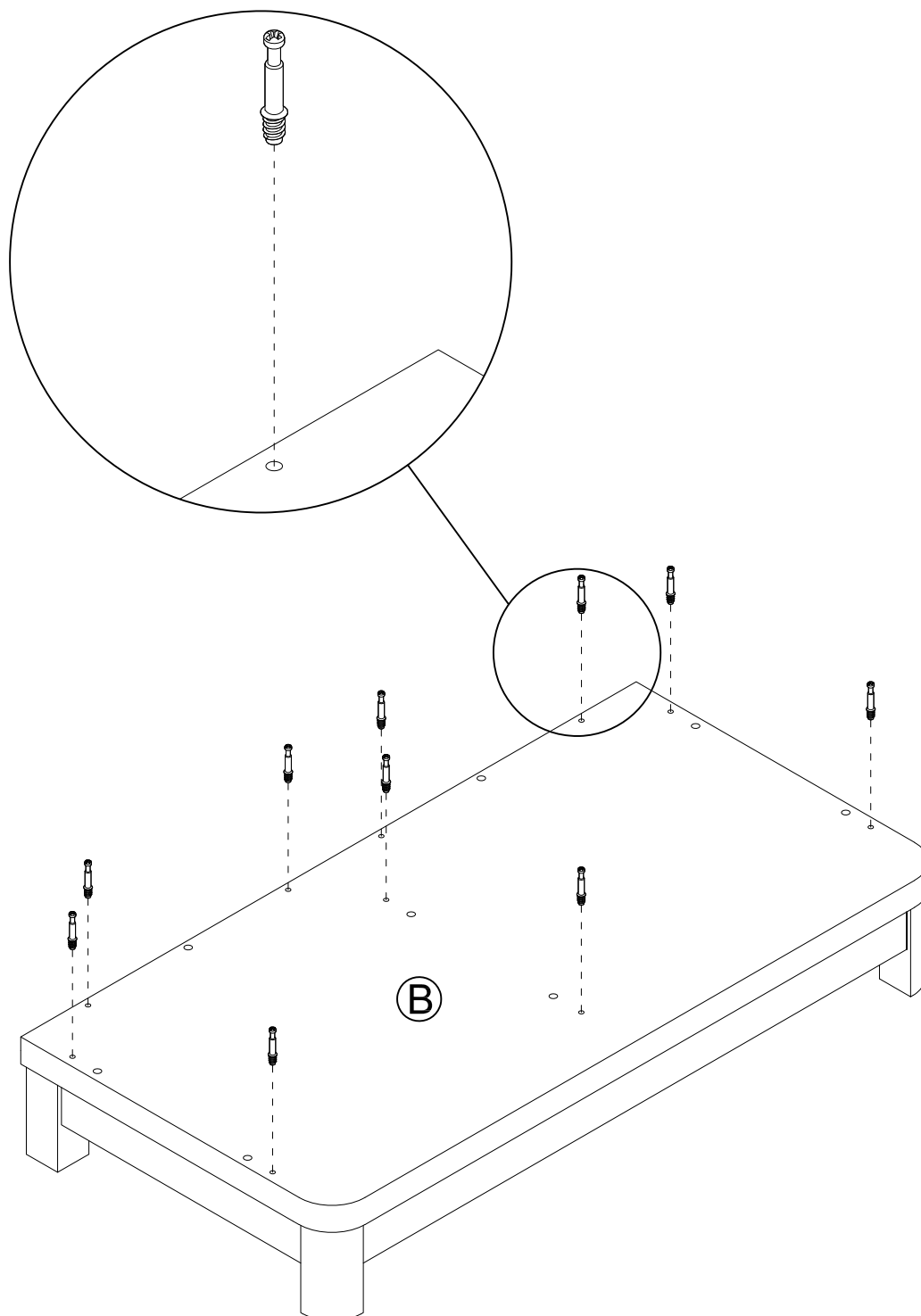
# Step 13:

---

\* Insert Ten KD BOLT (1) to the BOTTOM (B),

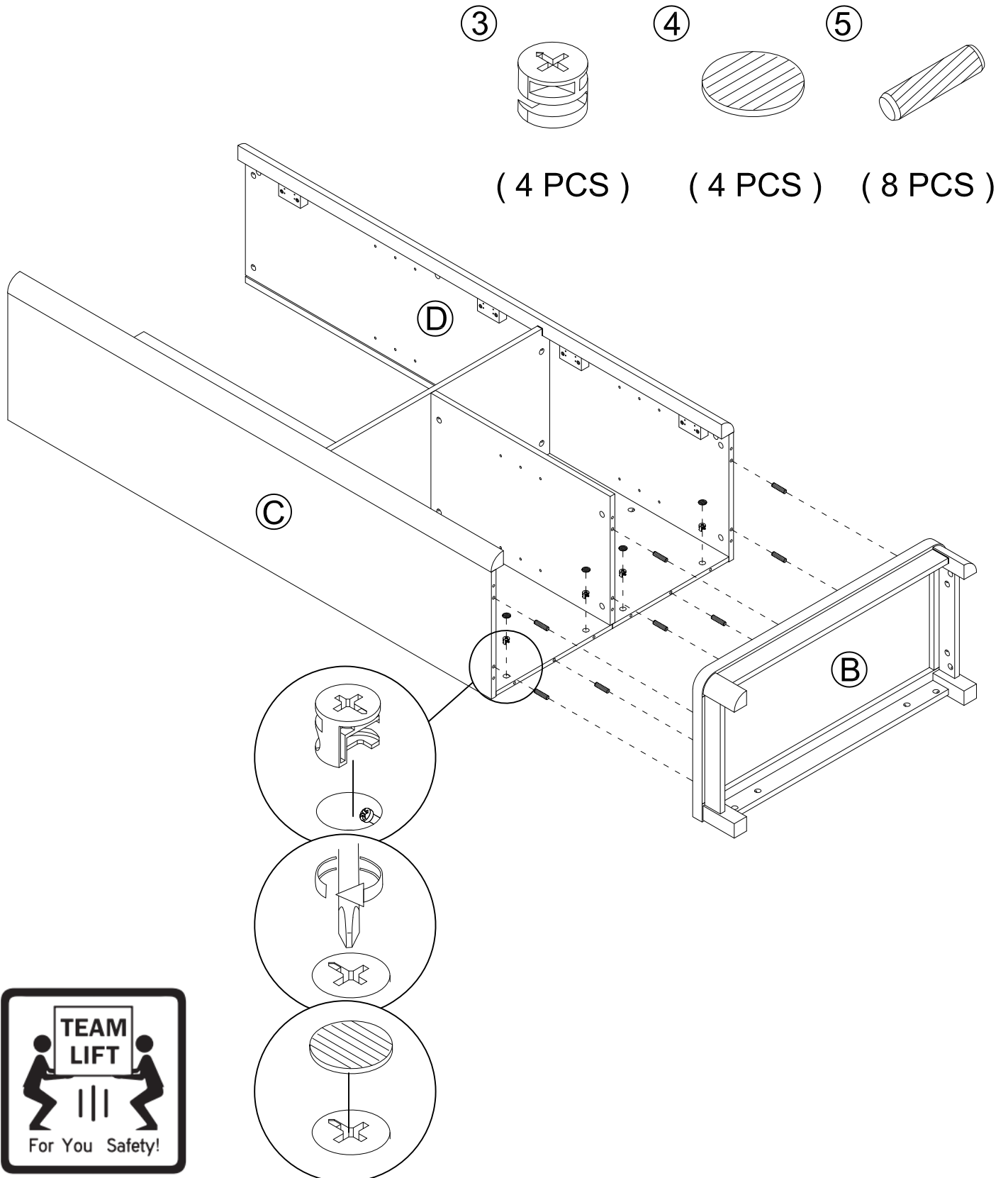


( 10 PCS )



# Step 14:

\* Attach the BASE PANEL ASSEMBLY to the ASSEMBLY by the Eight KD CAM (3), Eight COVER CAP (4) , and Eight WOOD DOWEL (5).

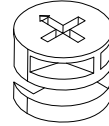


# Step 15:

---

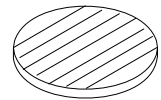
\* Insert Six KD CAM (2) and Four COVER CAP (4) .

②

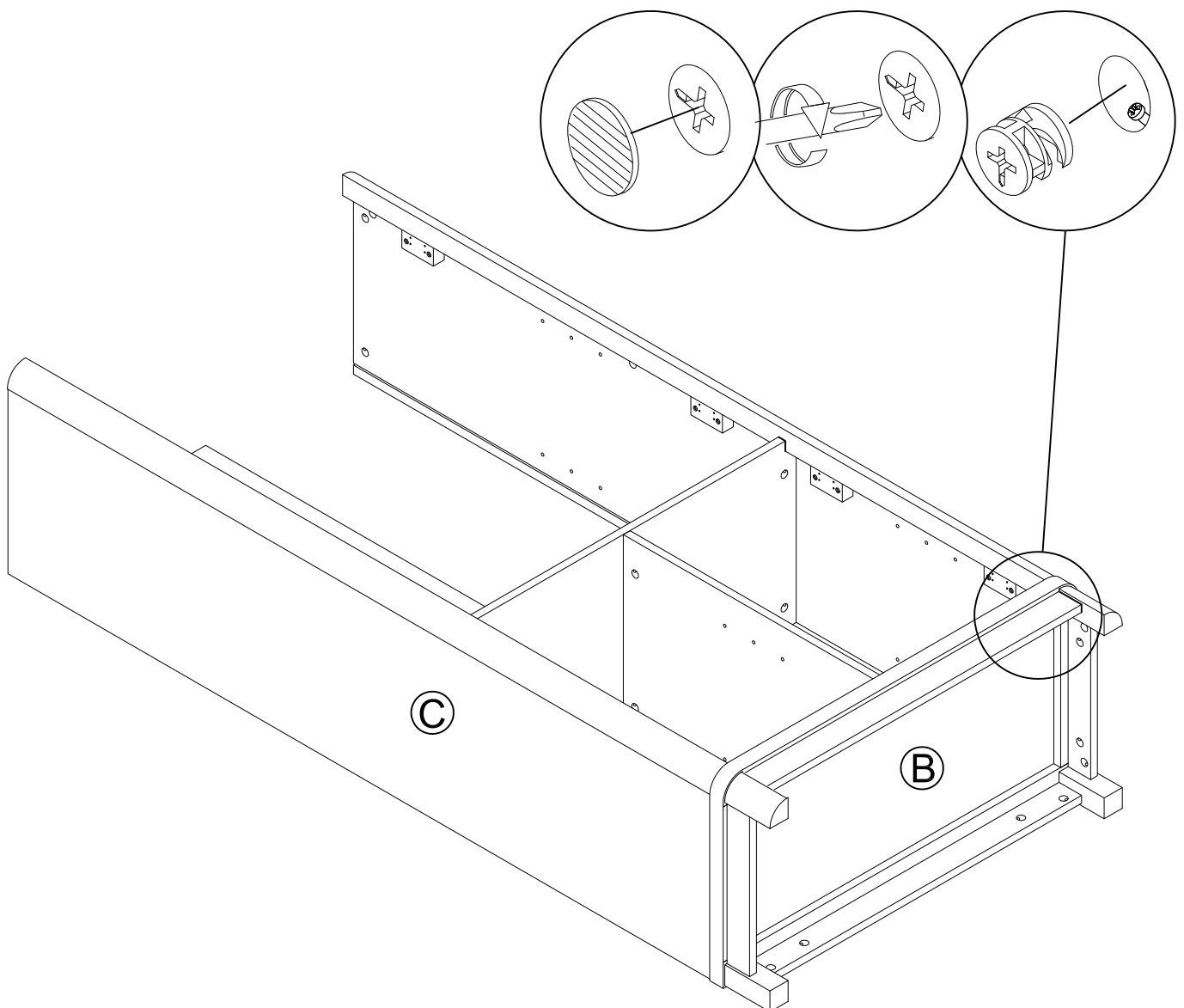


( 6 PCS )

④



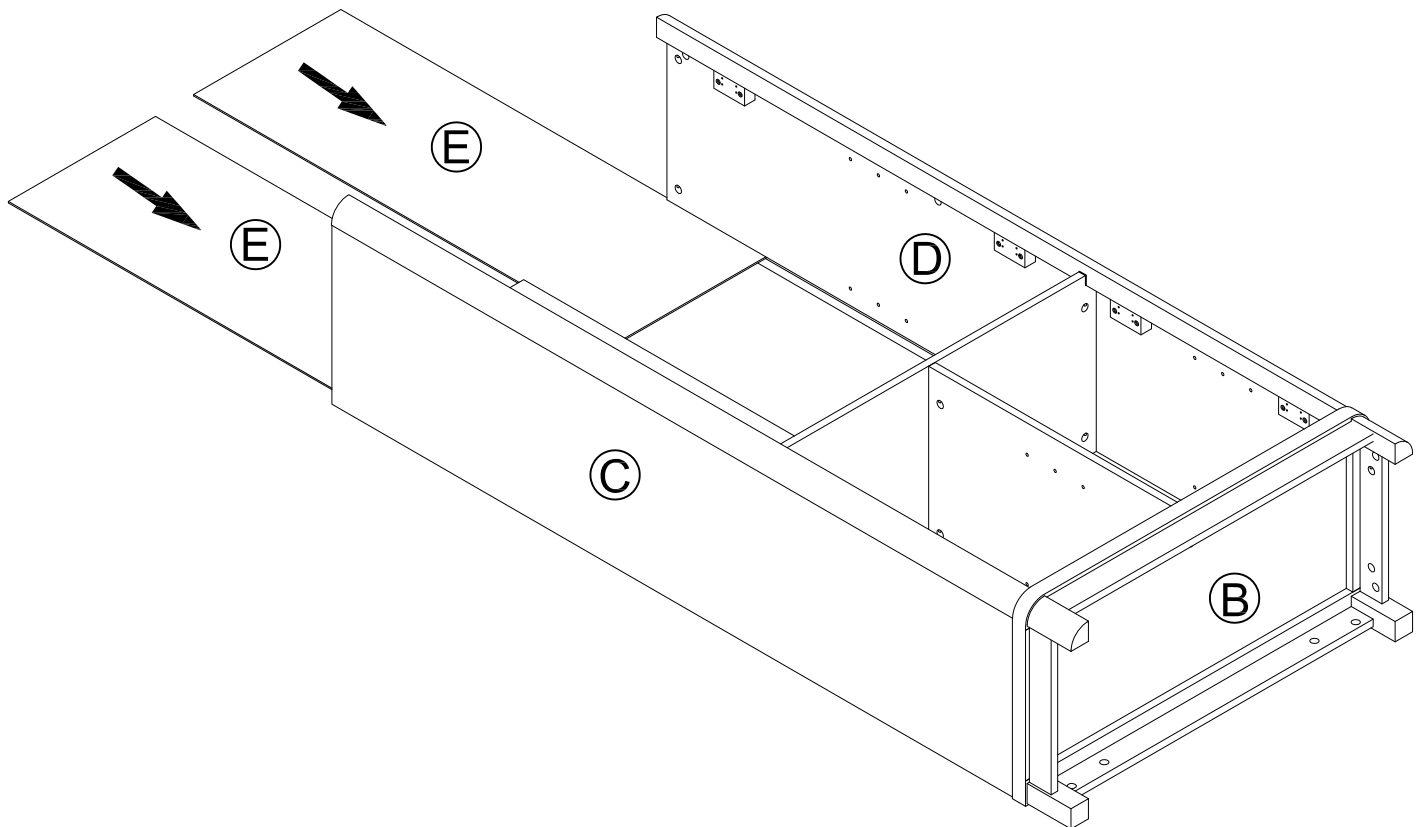
( 6 PCS )



## Step 16:

---

\* Slide the Two BACK PANEL (E) to the ASSEMBLY .



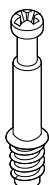
# Step 17:

---

\* Insert Six KD BOLT (1) to the TOP (A),

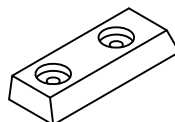
\* Attach Door Stopper (17) and SCREW (18) to the TOP (A).

①



( 6 PCS )

①⑦

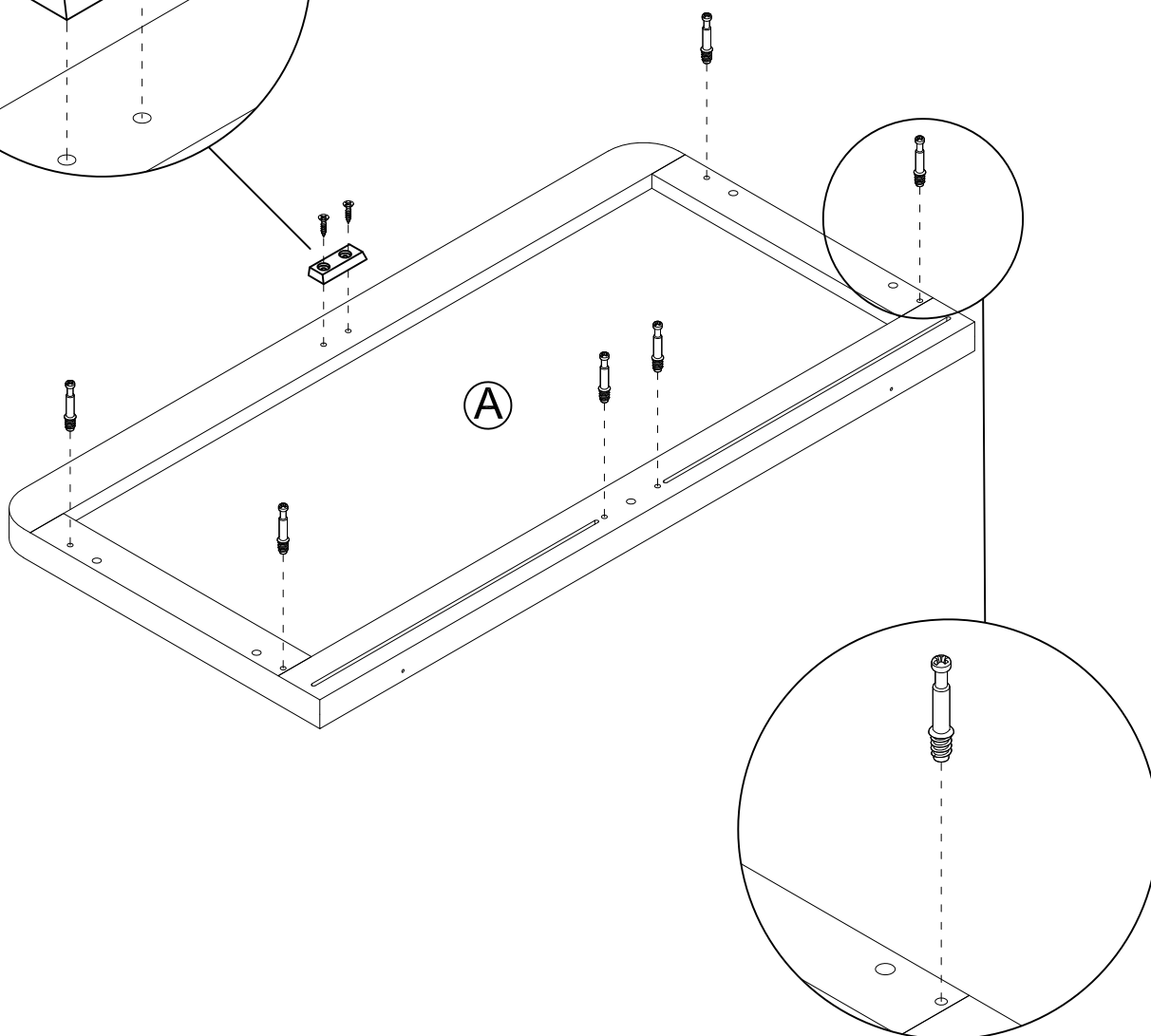
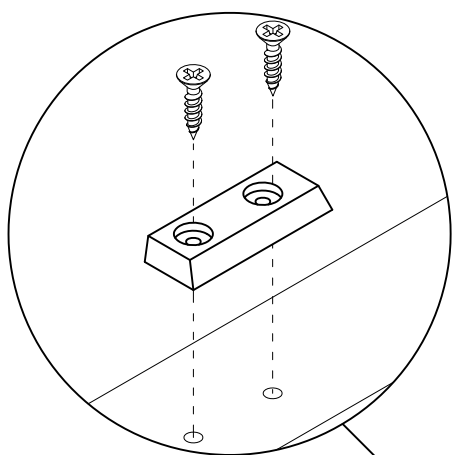


( 1 PC )

①⑧



( 2 PCS )

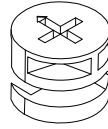


# Step 18:

---

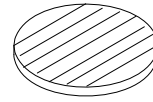
\* Attach the TOP (A) to the ASSEMBLY by the Four KD CAM (2) ,  
Four COVER CAP (4), and Five WOOD DOWEL (5).

②



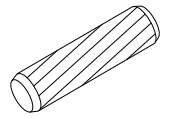
( 4 PCS )

④

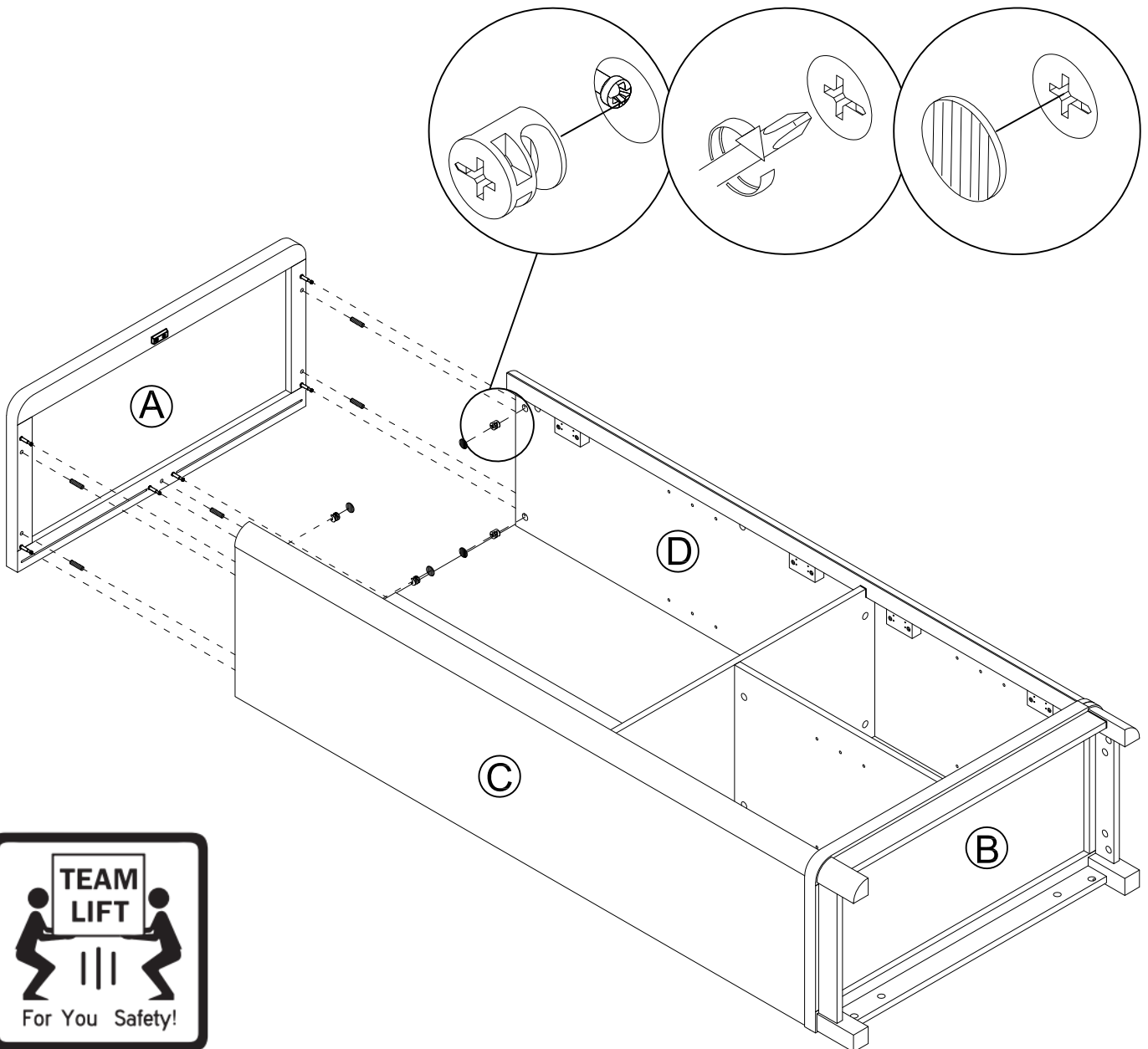


( 4 PCS )

⑤



( 5 PCS )

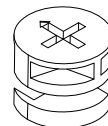


# Step 19:

---

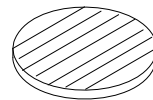
\* Insert Two KD CAM (2) and Two COVER CAP (4).

②

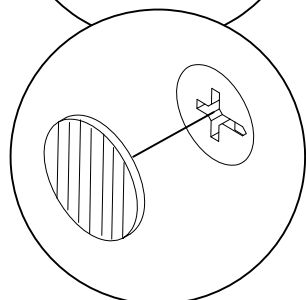
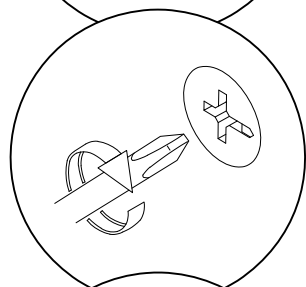
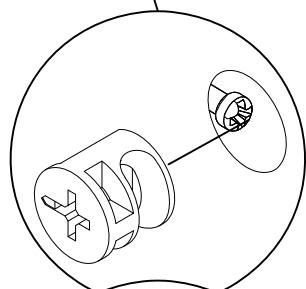
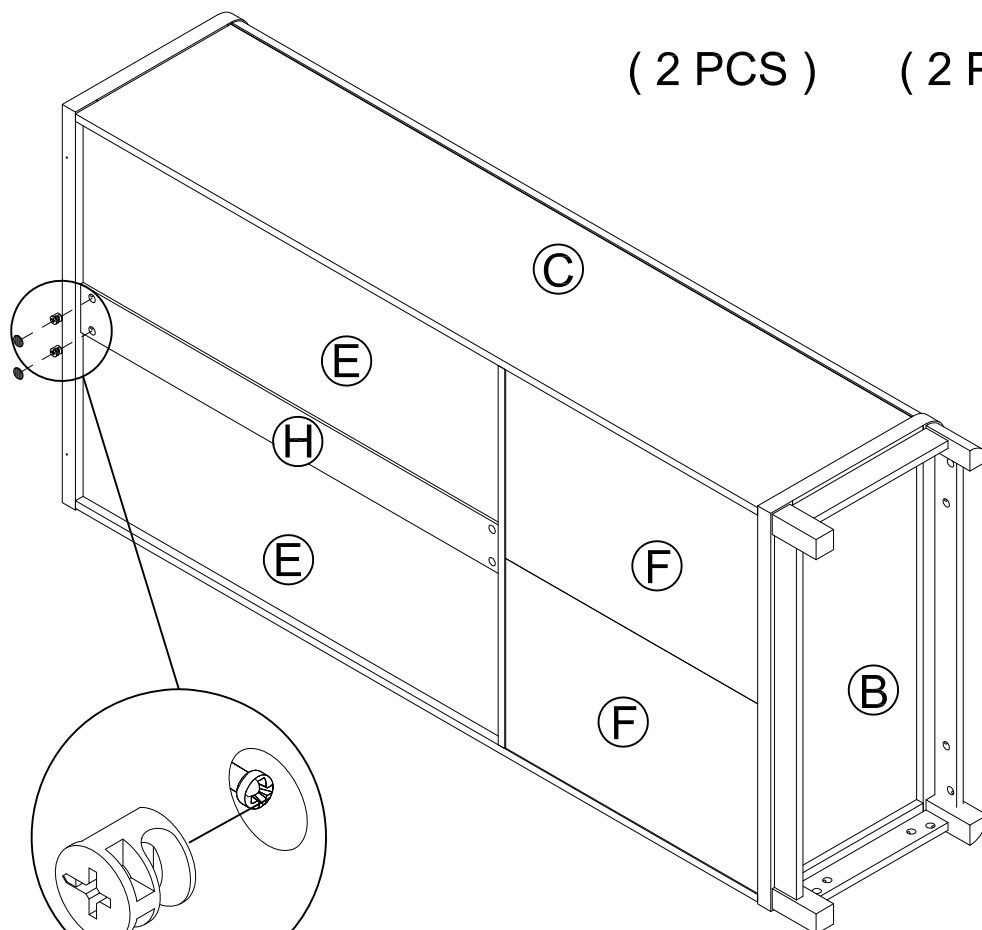


( 2 PCS )

④



( 2 PCS )

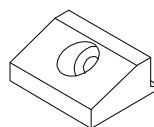


# Step 20:

---

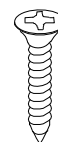
\* Insert Eight BUCKELE (8) and Eight SCREW (16).

15

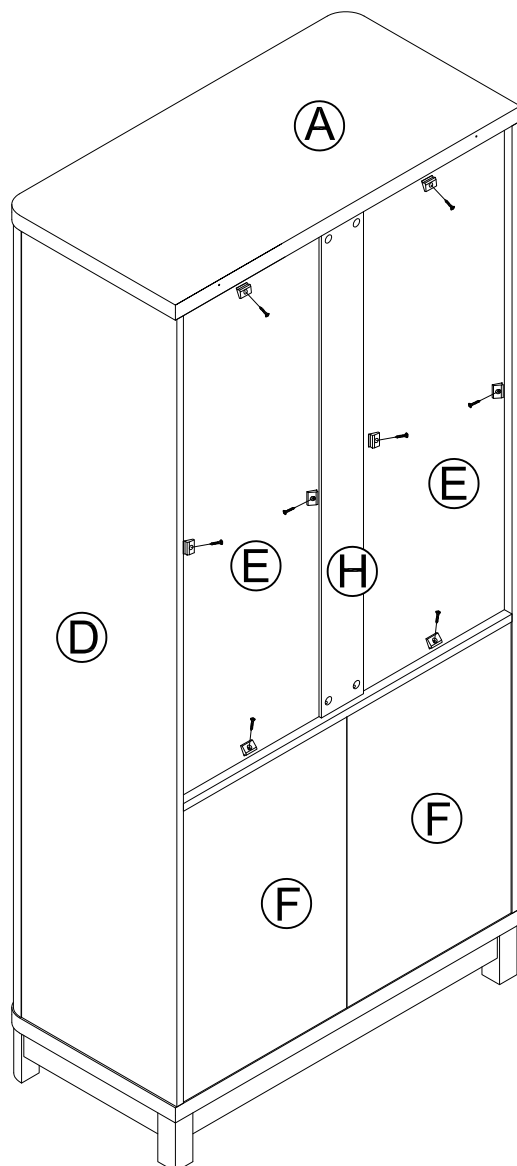


( 8 PCS )

16



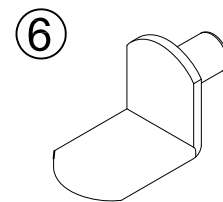
( 8 PCS )



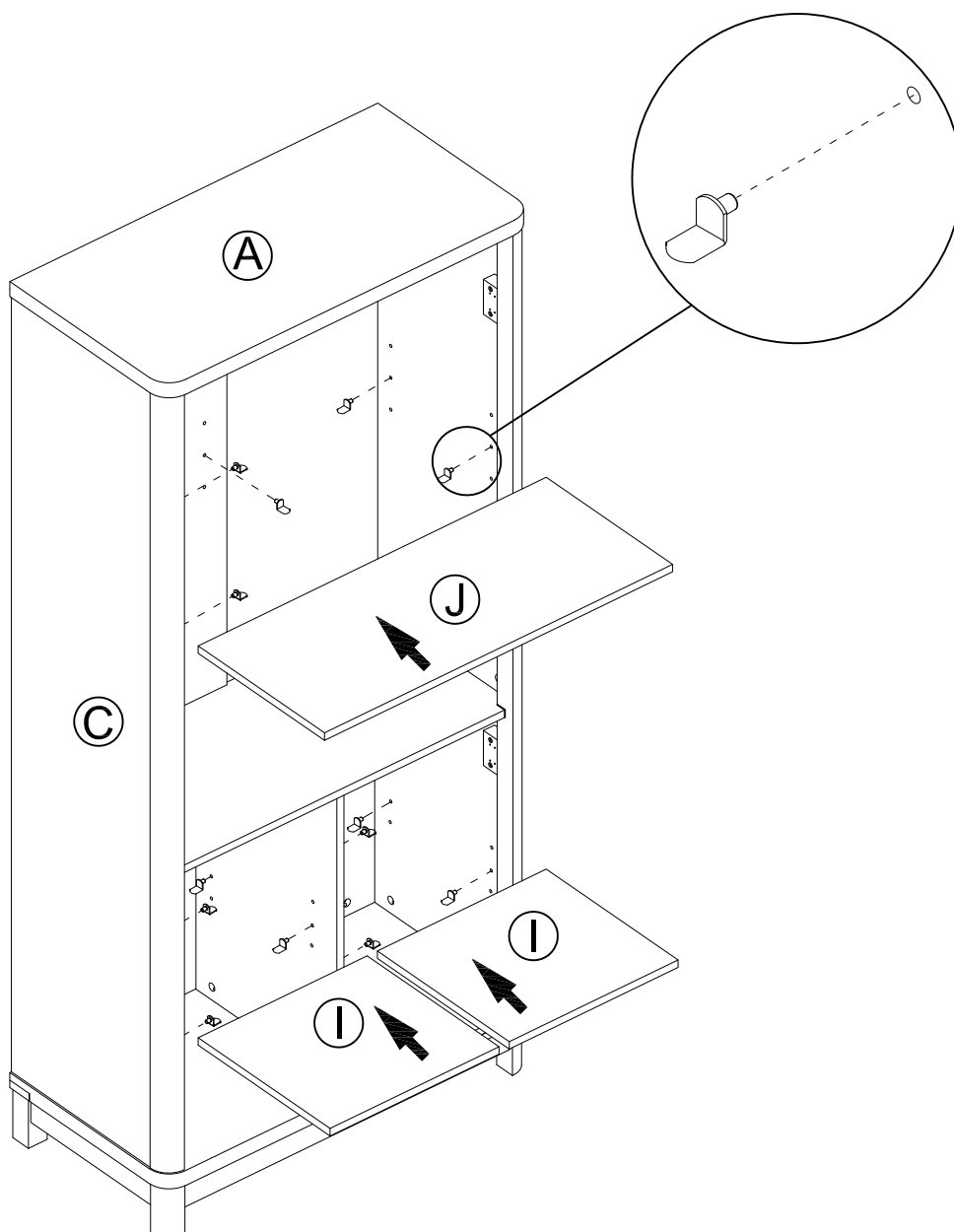
# Step 21:

---

\* Insert Thirteen SHELF PEGS (6) into the Sideboard and put on the Two SHELF PANEL (I) and One SHELF PANEL (J) .



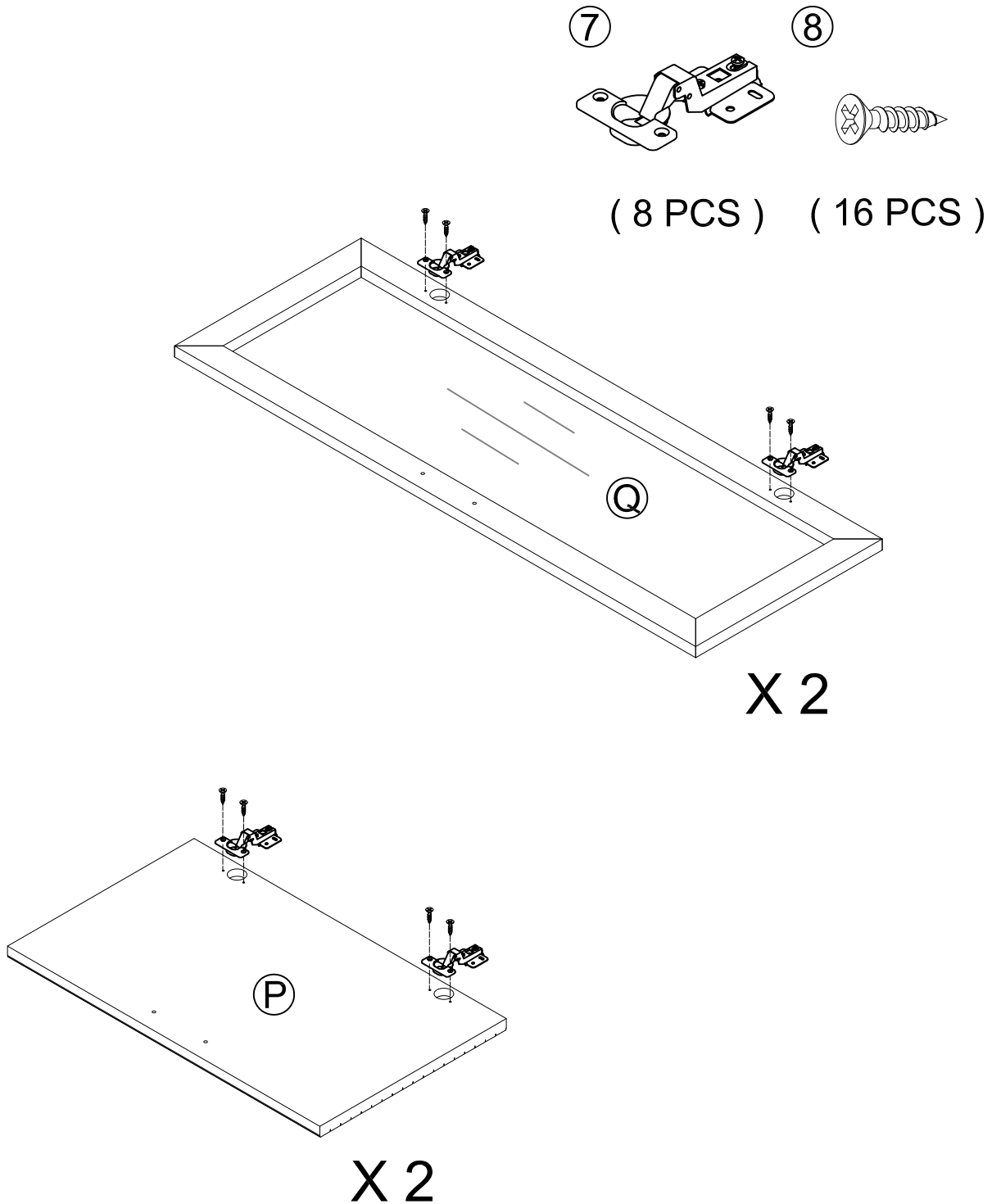
( 13 PCS )



# Step 22:

---

\* Attach Eight HINGE (7) and Sixteen SCREW (8) to the Two DOOR (P) and Two DOOR (Q) .

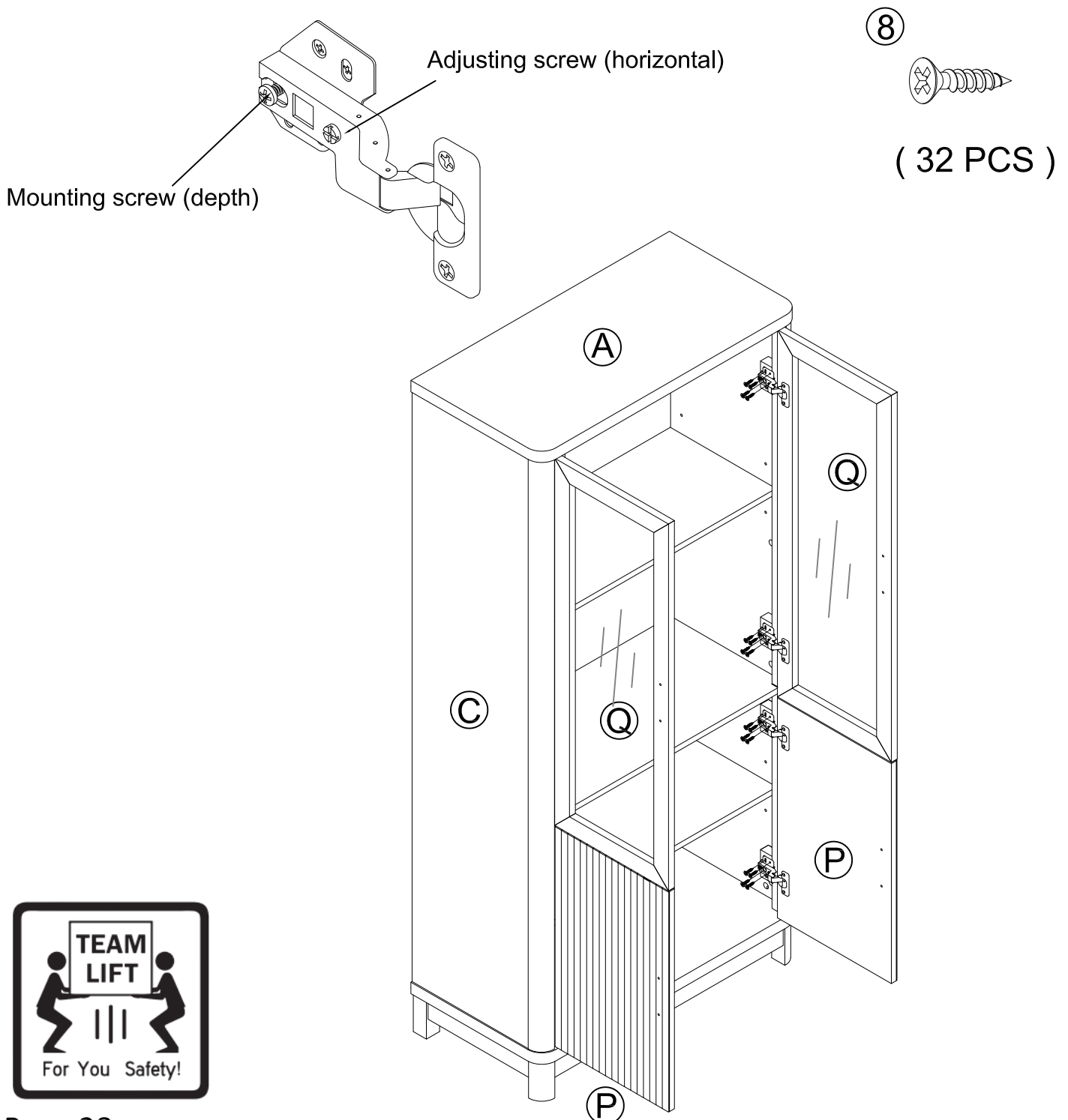


# Step 23:

---

\* Carefully stand your unit upright.  
Fasten the DOORS (P) and DOORS (Q) to the LEFT PANEL (C) and RIGHT PANEL (D) .

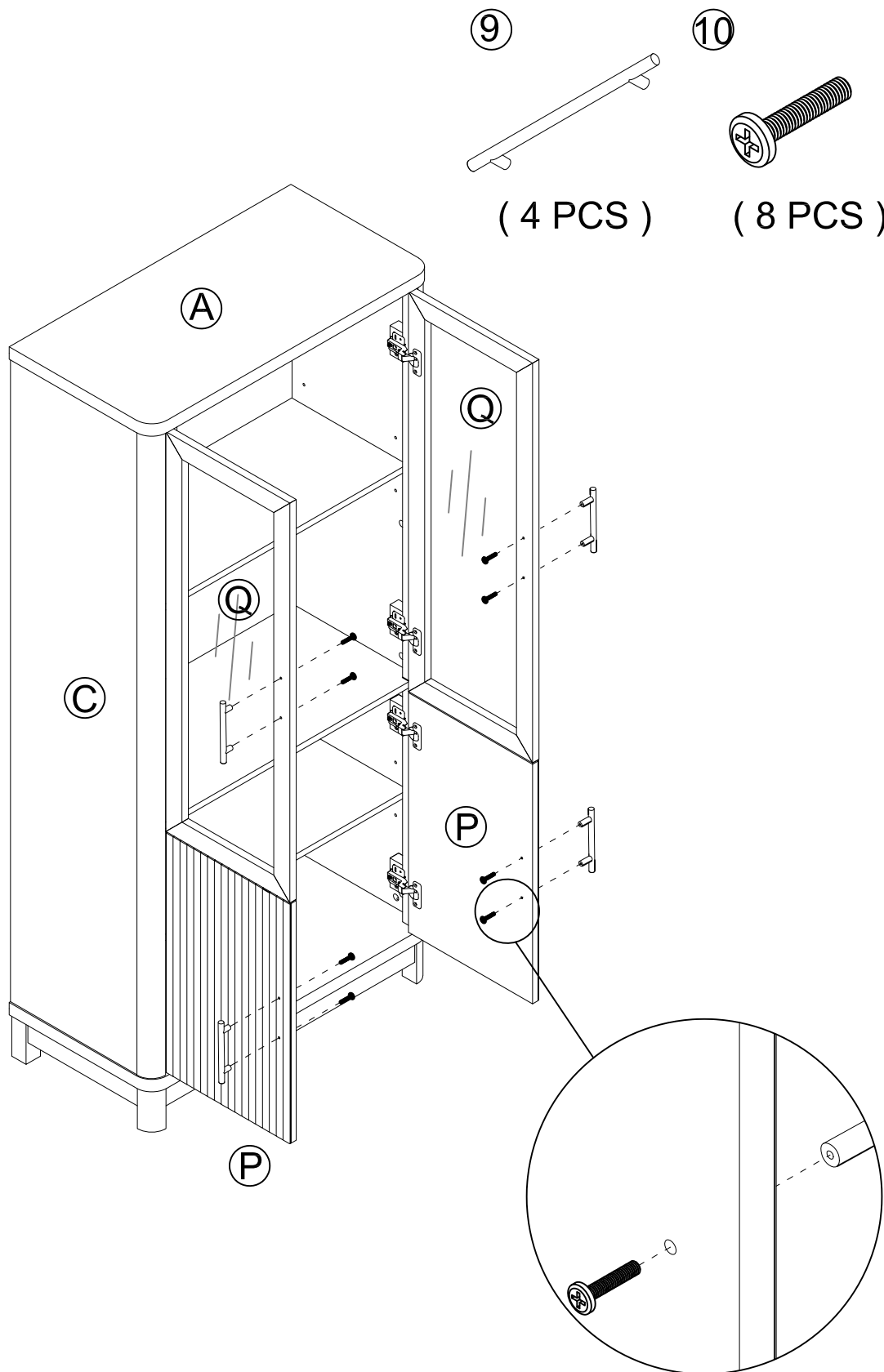
\* Note : The hinges should be hooked first from the top to the middle and lower hinge combinations in the "PRESS" order . Note that the hinge leaf must be inserted into the slot along the angle.



# Step 24:

---

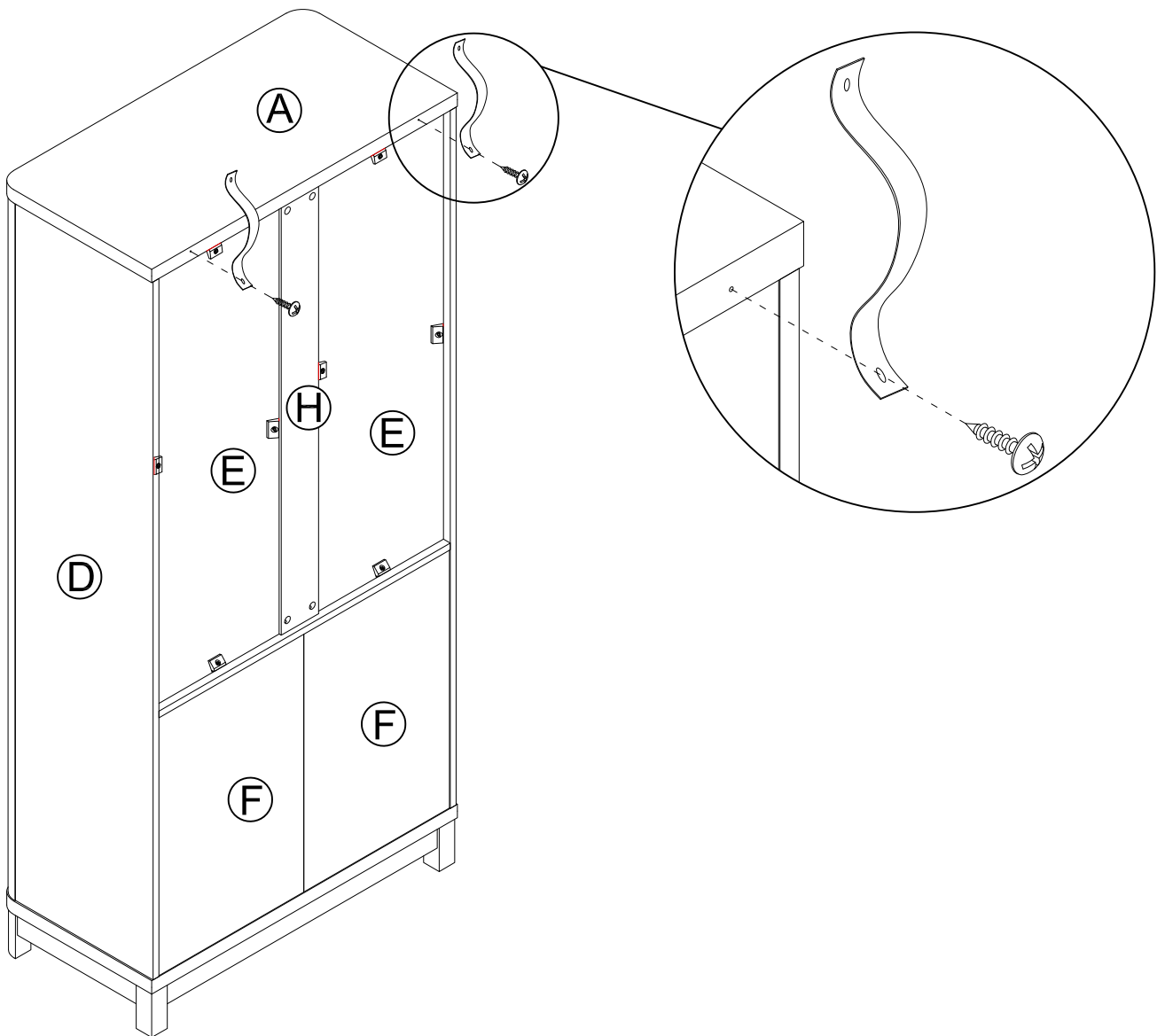
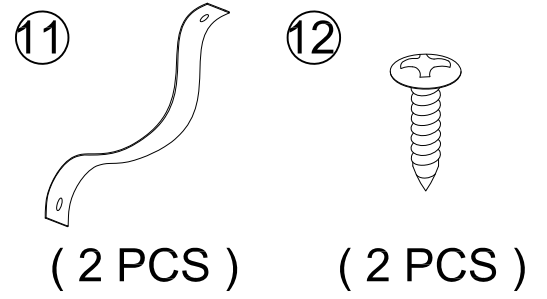
\* Fasten the Four DOOR PULL (9) to the Two DOOR (P) and Two DOOR (Q) , USE Eight BOLTS (10).



# Step 25:

---

\* Attach anti-tipping straps to the back of the stand.



# Step 26:

1st- With your pencil, strike a mark through the center of the hole in the SAFETY STRAP.

2nd- Drill a 3/8" hole on the mark.

3rd- FURNITURE TIPPING RESTRAINT KIT (14) into the hole until it is even with the surface of the wall.

4th- Turn the LONG SCREW through the hole in the SAFETY STRAP and into the WALL ANCHOR.

NOTE: You will need to turn the LONG SCREW multiple turns to completely tighten and secure your unit.

