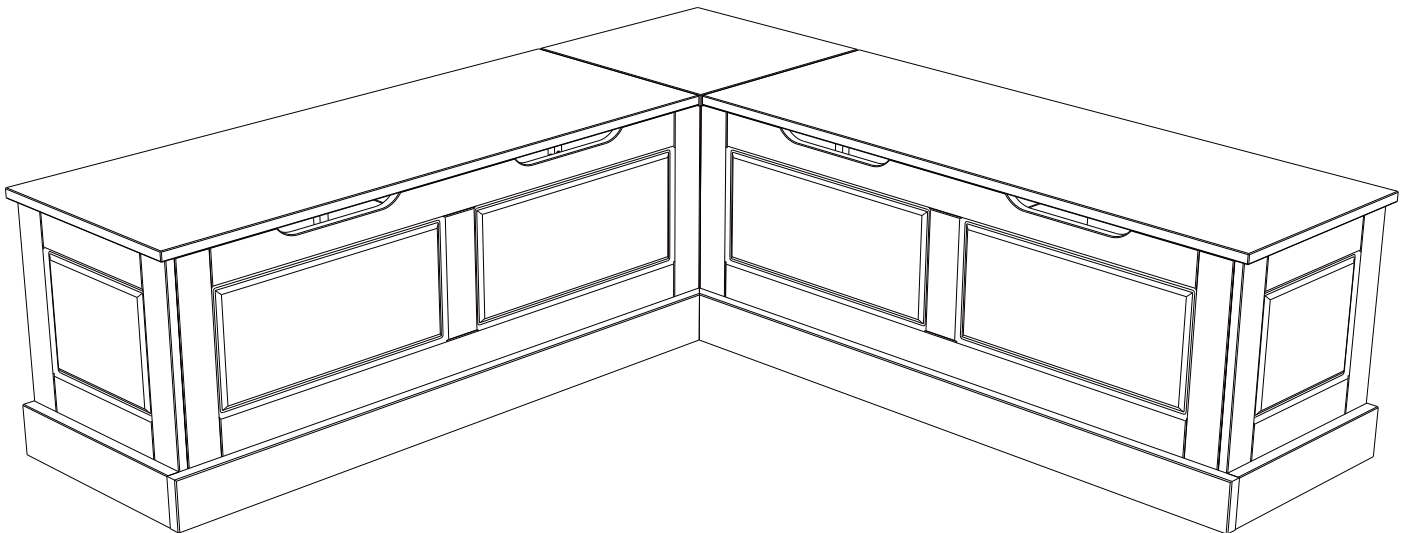


Troy Natural Backless Nook

SKU# 2258062002



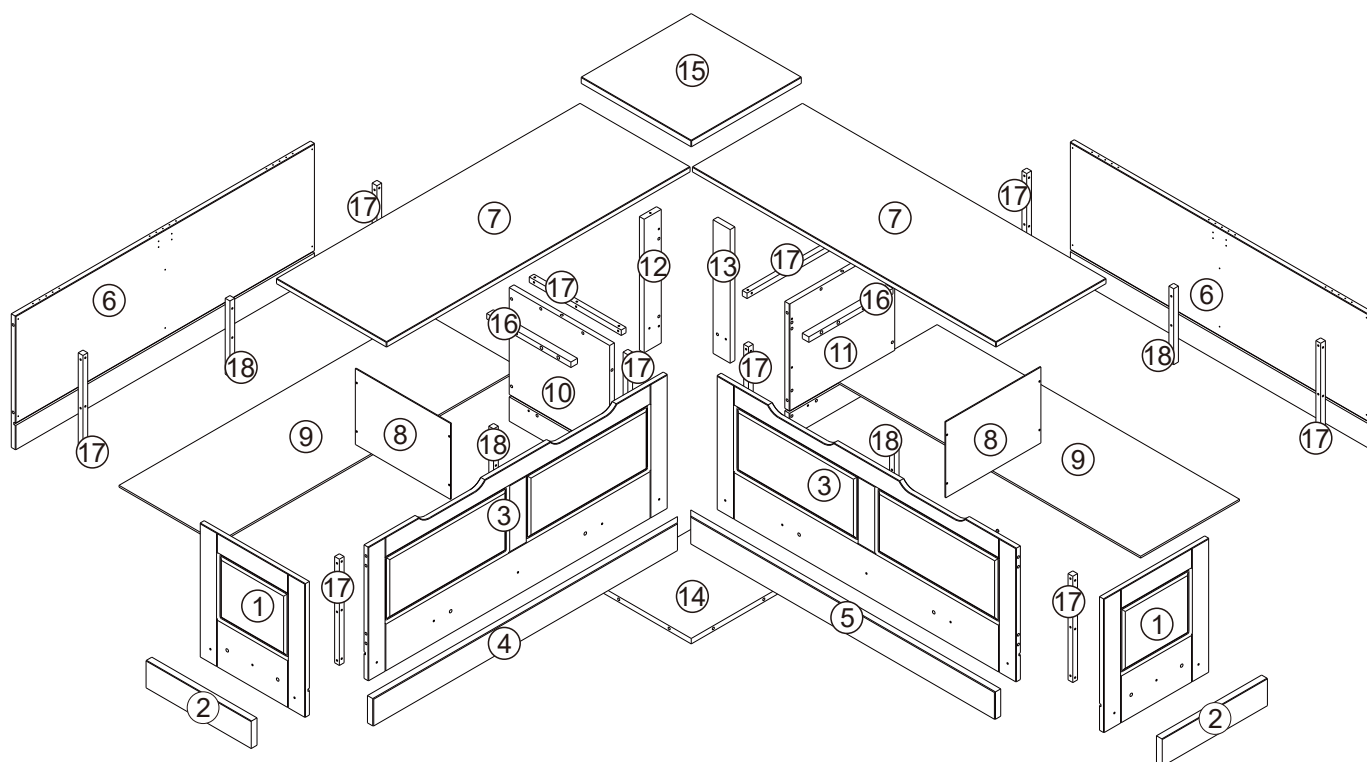
WARNING: To avoid serious personal injury:

- Carefully and strictly follow assembly instructions. Improper assembly of furniture can result in structural failure, instability of the product, or tip-over.
- Monitor and carefully control the assembly components. These include small parts and hardware that may present a choking hazard to small children. Bob's furniture should be assembled only by responsible adults and children should not be involved in the assembly process.
- Where provided, wall mounting hardware should always be used as prescribed in these instructions to anchor furniture to wall. Proper use of the wall mounting hardware can significantly reduce the potential for furniture tip-over and crushing injuries.

MAN-20693-TL

MADE IN THAILAND

PART LIST


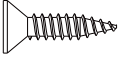
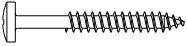

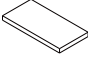




SPARE PARTS - AVAILABLE FOR REPLACEMENT

PART LABELS	PARTS	QTY
#01	SIDE PANEL	02
#02	SIDE SKIRTING BOARD	02
#03	FRONT PANEL	02
#04	LEFT SKIRTING BOARD	01
#05	RIGHT SKIRTING BOARD	01
#06	BACK PANEL	02
#07	SEAT	02
#08	DIVISION	02
#09	BOTTOM	02
#10	LEFT CORNER PANEL	01



#11	RIGHT CORNER PANEL	01
#12	SIDE RAIL	01
#13	BACK RAIL	01
#14	CORNER BOTTOM	01
#15	CORNER TOP	01
#16	CLEAT	02
#17	CORNER CLEAT	10
#18	CENTRAL CLEAT	04

HARDWARE LIST

A		WOOD DOWEL (Ø5/16" X 1-3/16")	39
B		SCREW (Ø1/8" X 9/16")	52
C		SCREW (Ø5/32" X 1-3/16")	97
D		SCREW (Ø5/32" X 1-9/16")	12
E		FELT	06
F		HINGE	06
G		SAFETY HINGE	02

NOTE: Find the label of "Hardware Enclosed" on one of the carton corner then follow the red ribbon to get the hardware bag.

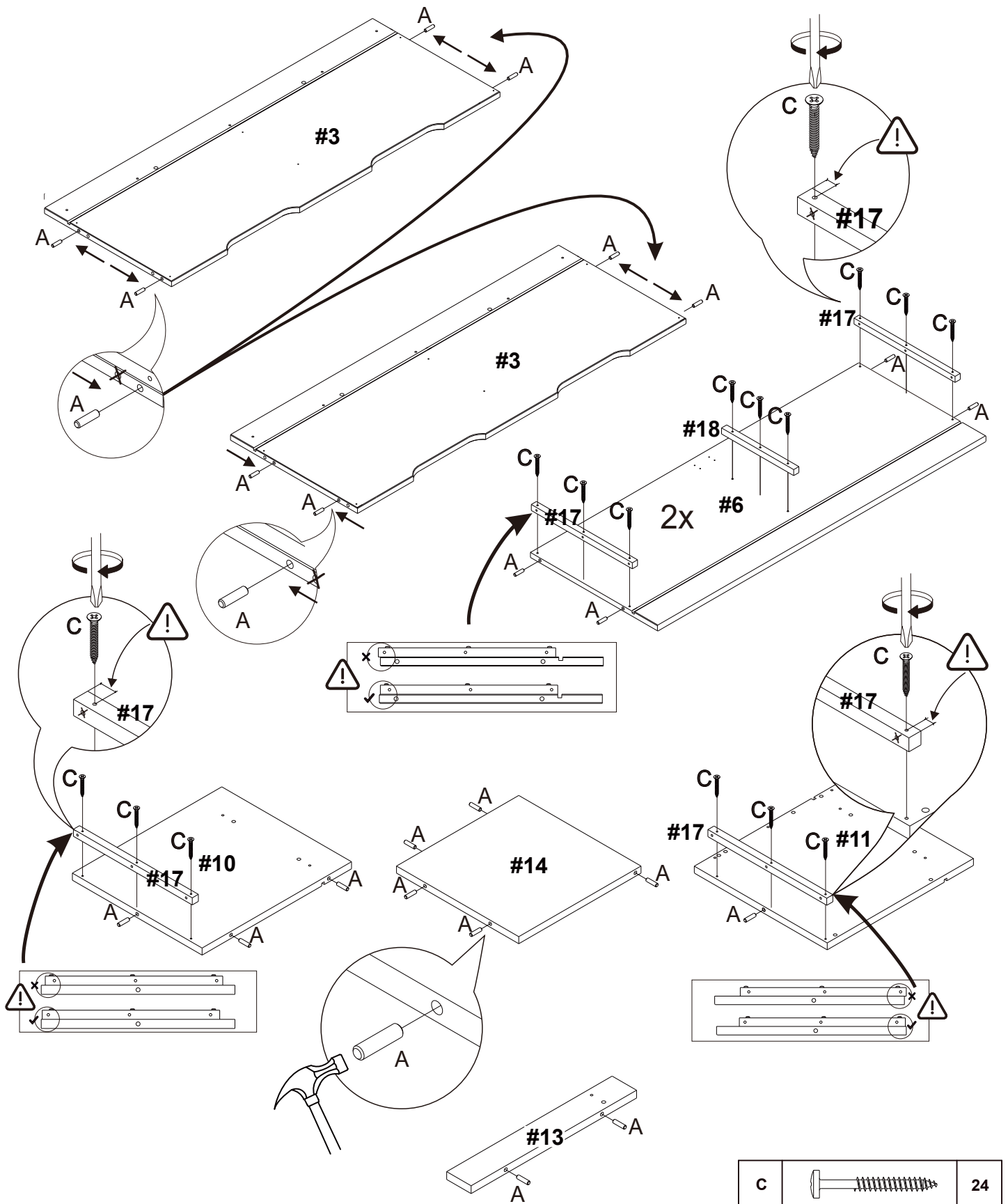
TOOLS REQUIRED

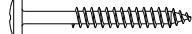

PHILIPS SCREWDRIVER		NOT SUPPLIED
HAMMER		NOT SUPPLIED

IMPORTANT:

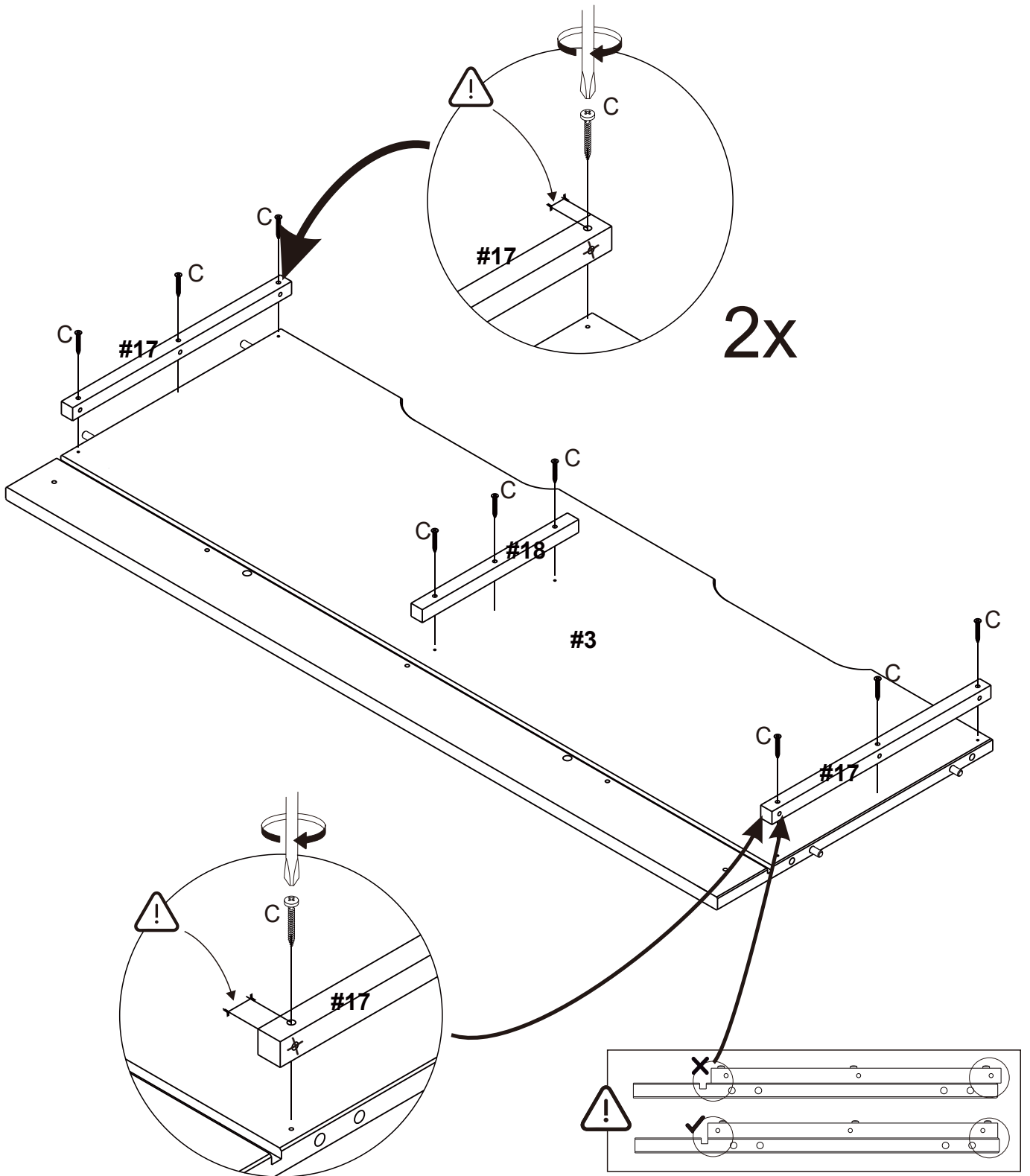
1. Do not tighten bolts completely until all bolts are completely lined up and inserted into holes / nuts.
2. Do not over tighten screws and bolts to avoid stripping.
3. Please use hand tools to assemble this product. Do not use power tools.
4. For ease of assembly, two adults are recommended

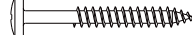
1.



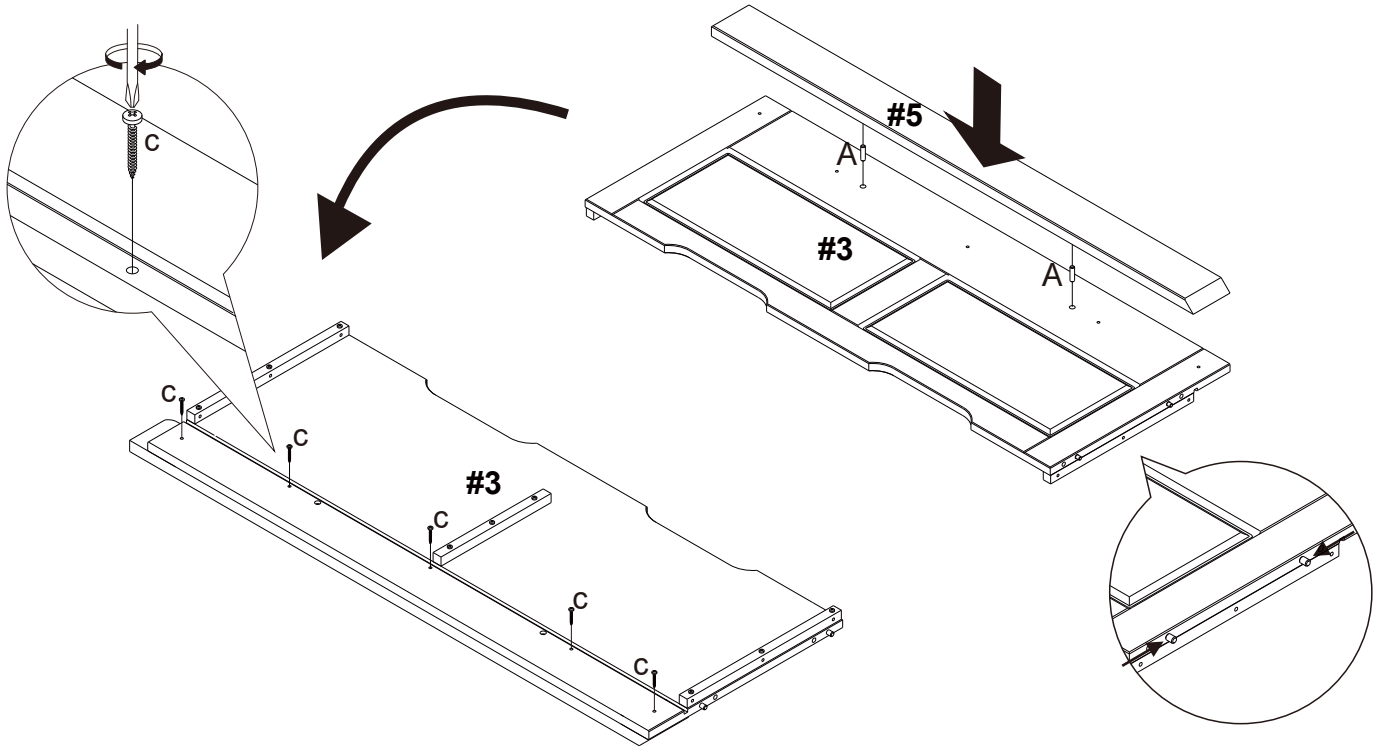
C		24
A		27

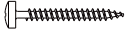

2. USE THE PRE-HOLES FOR ASSEMBLY.



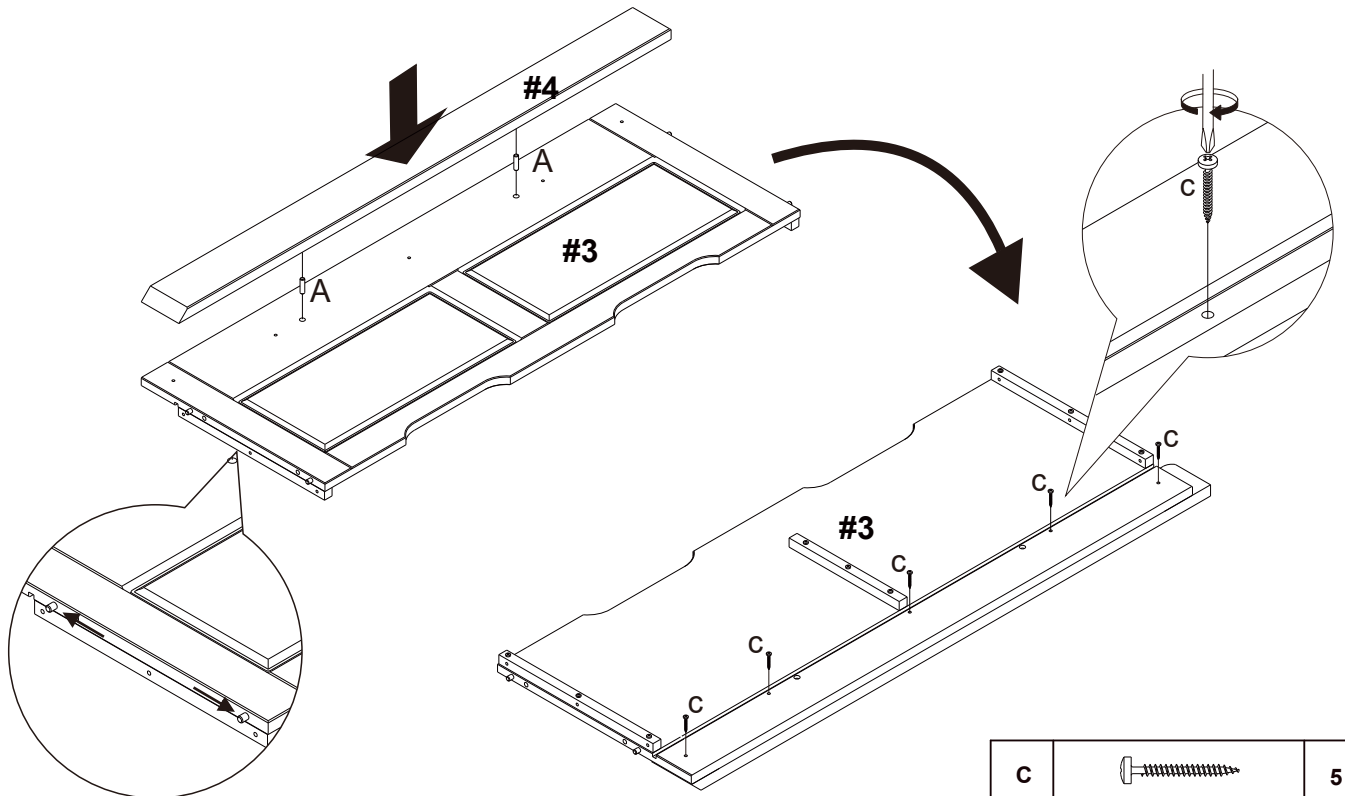
C		18
---	---	----

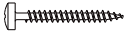

3.



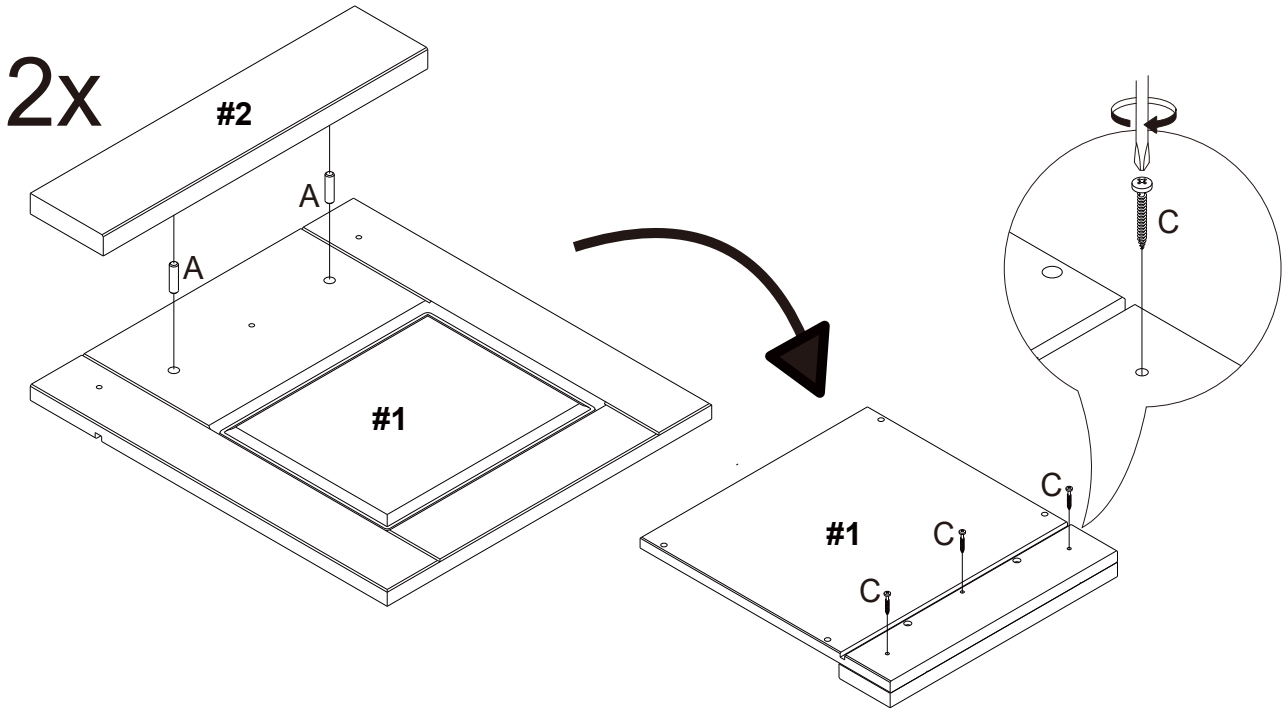
C		5
A		2

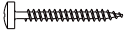
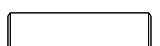
4.



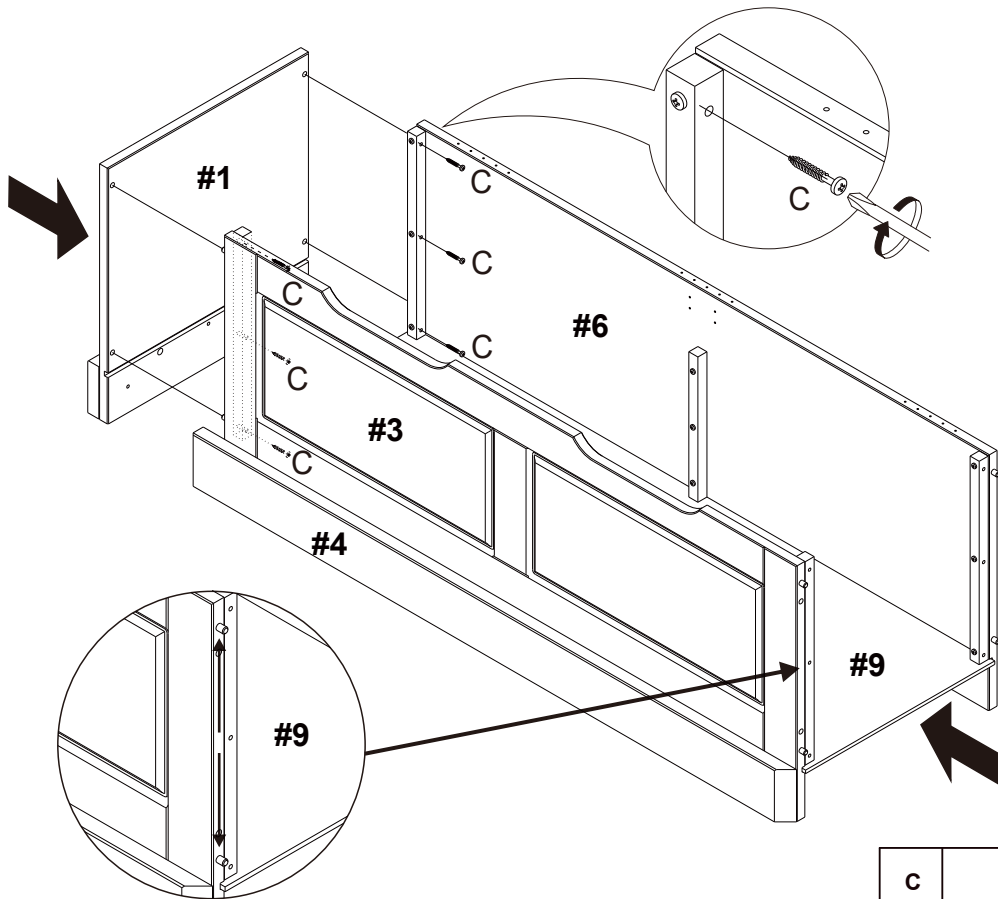
C		5
A		2

5.



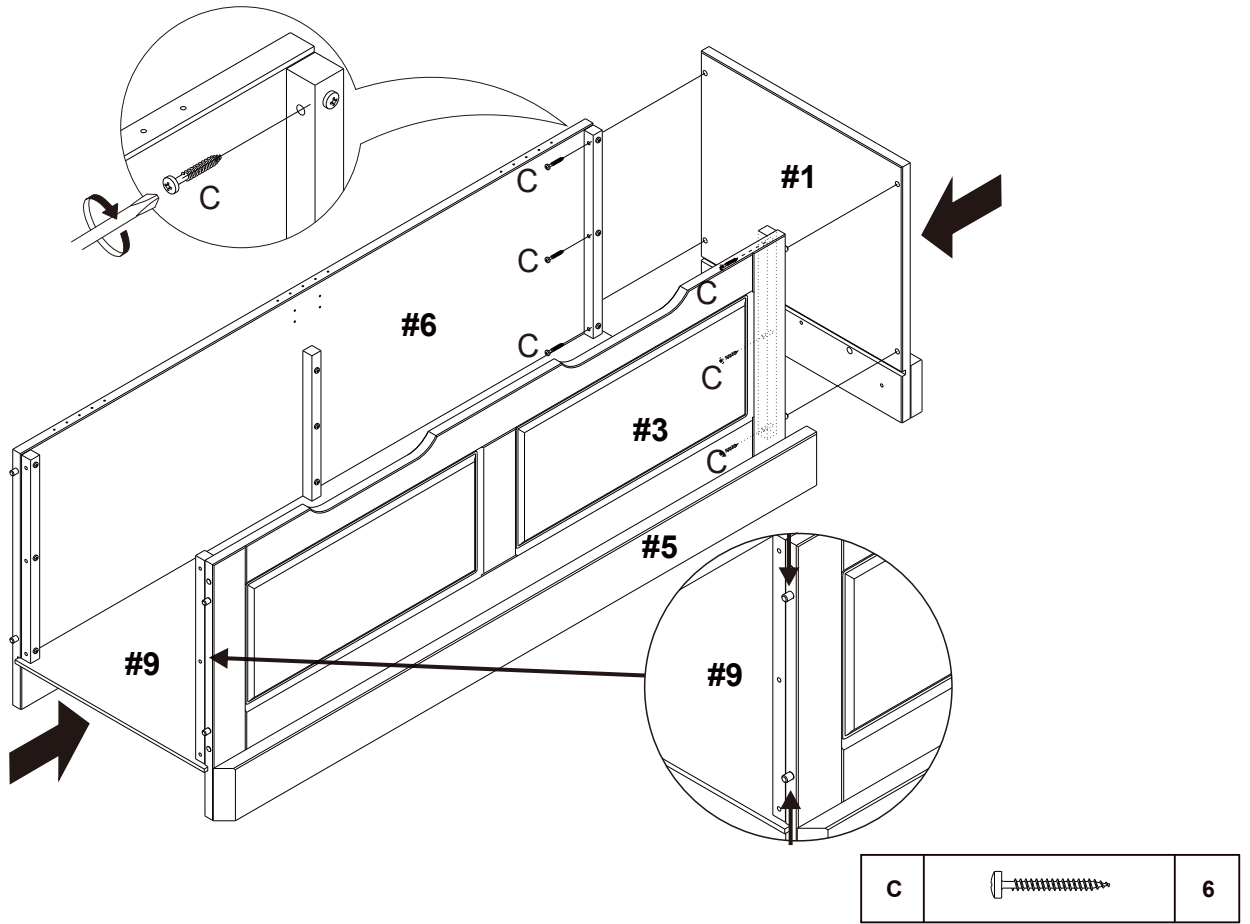
C		6
A		4

6.

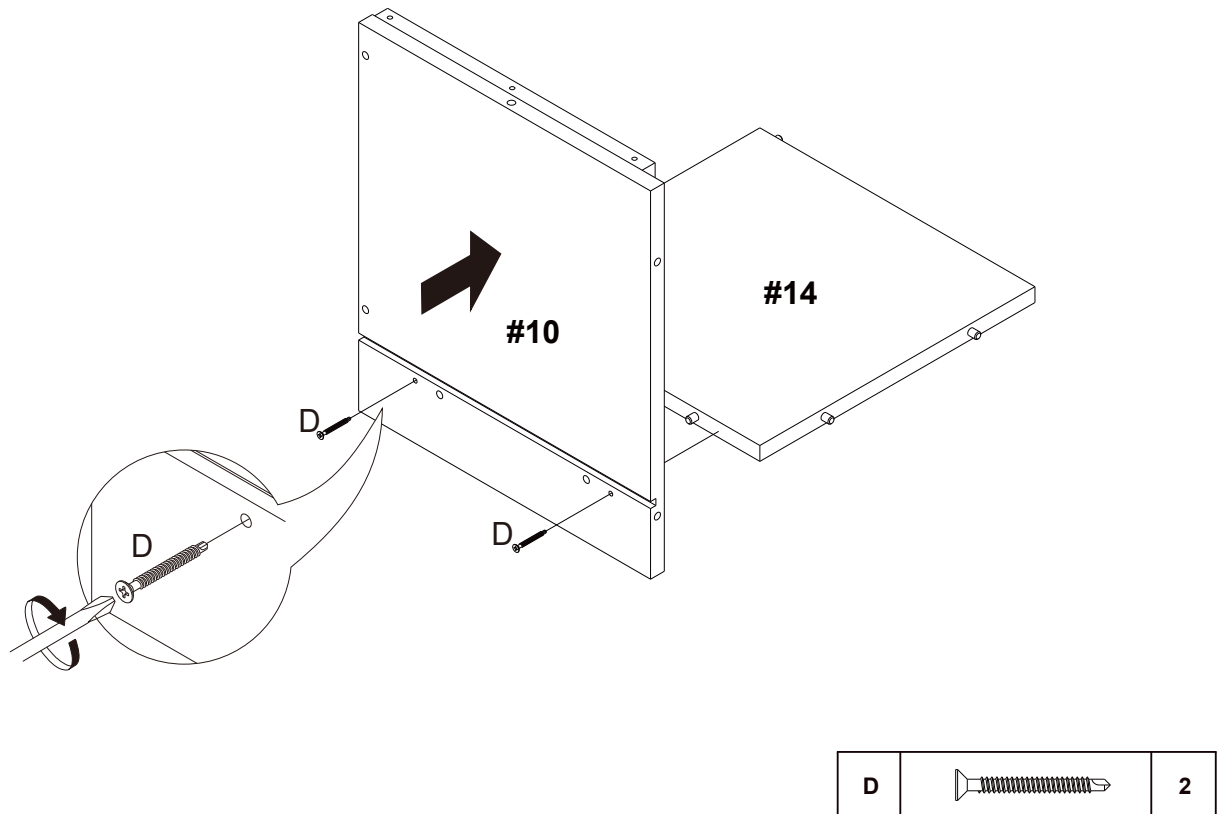


C		6
---	---	---

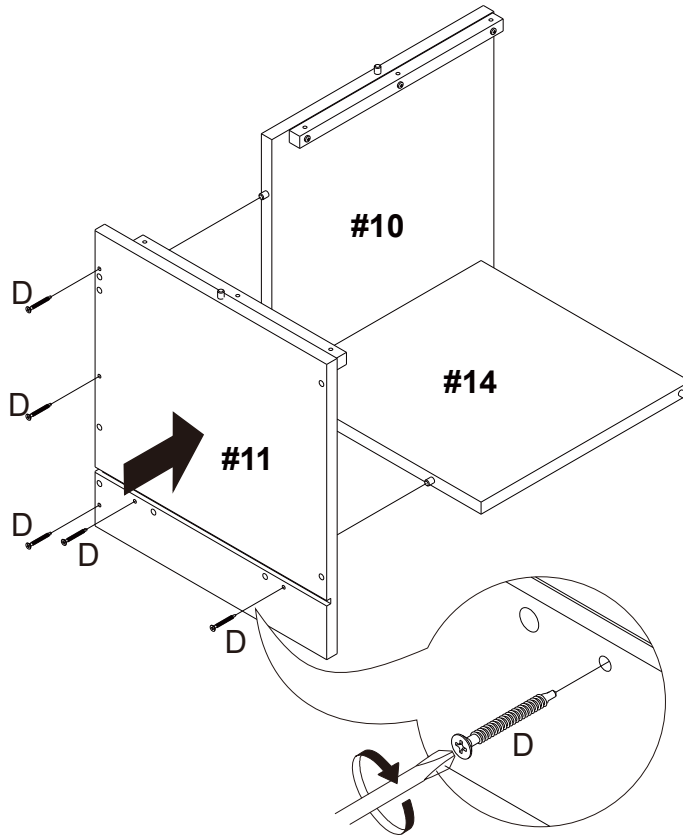
7.



8.

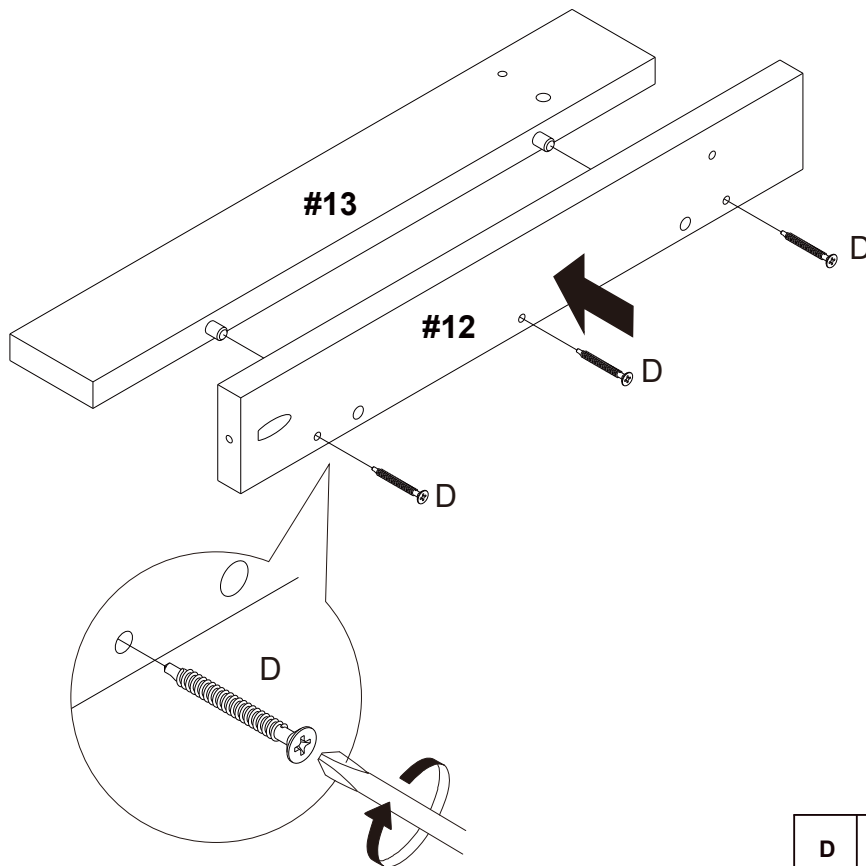



9.



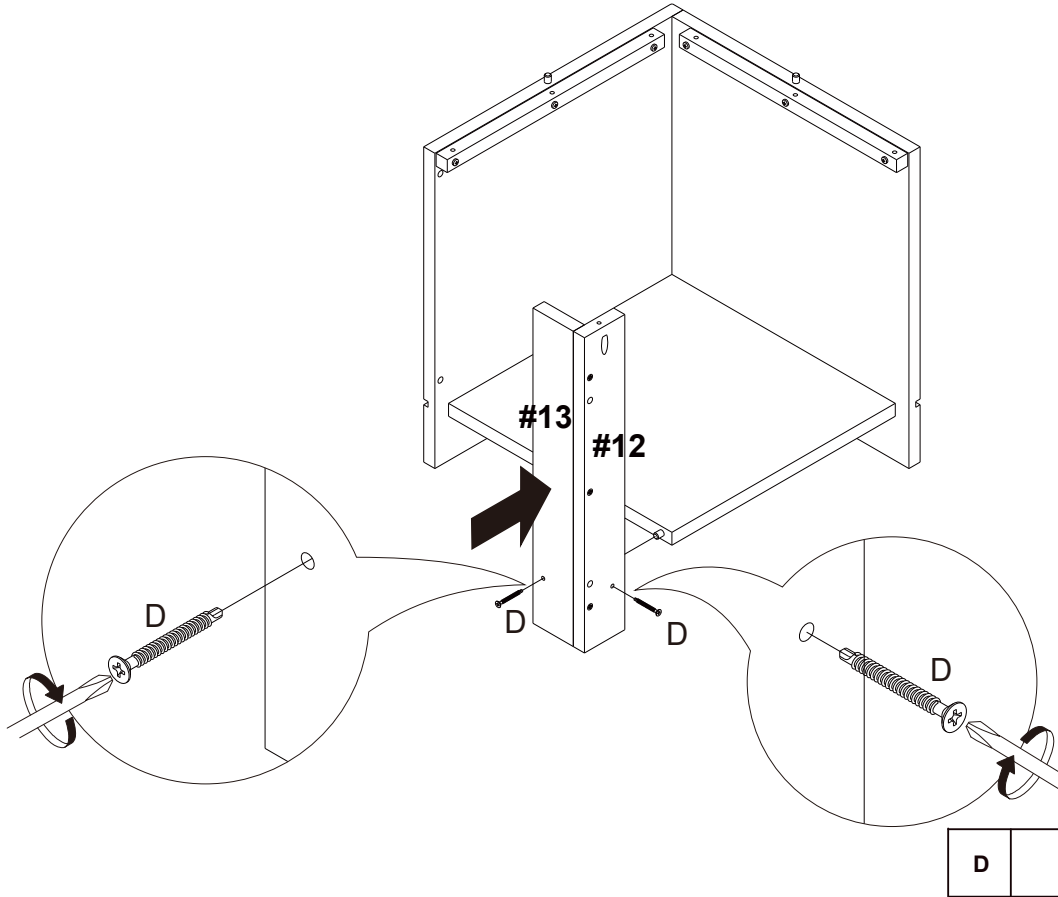
D		5
---	---	---

10.

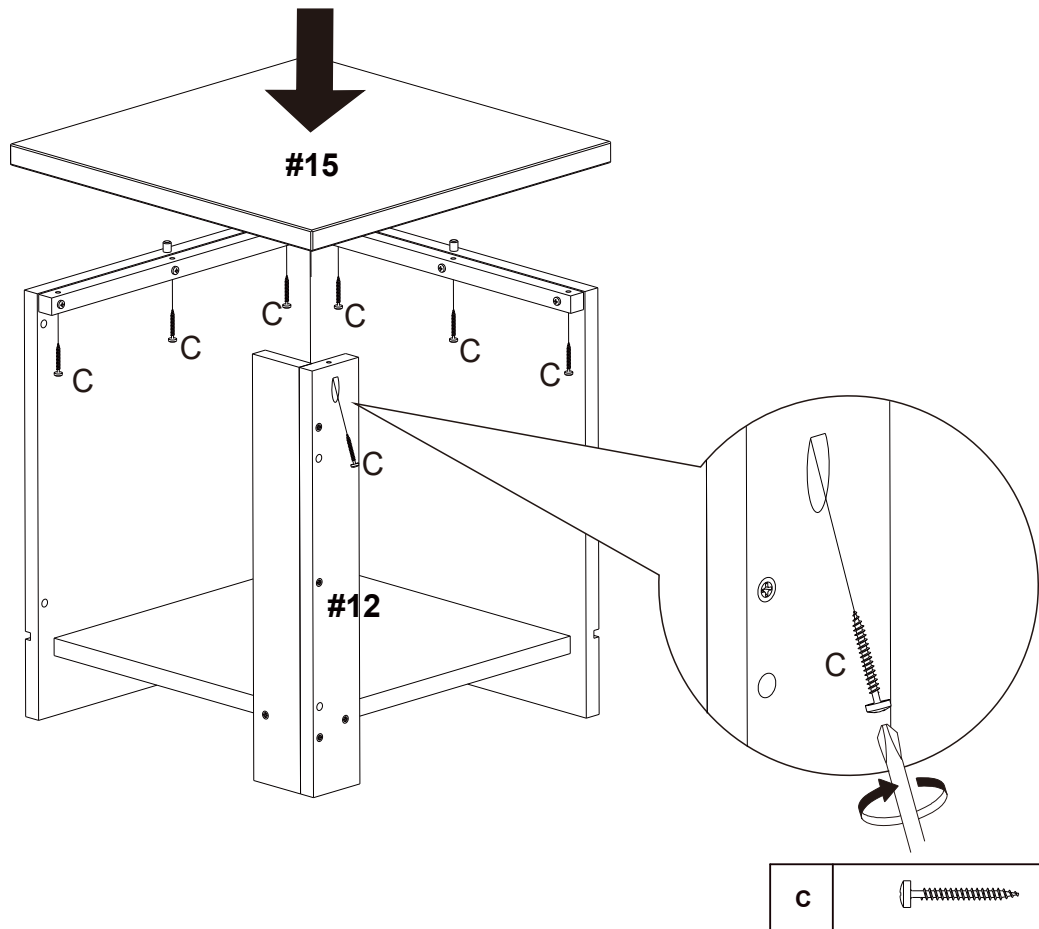


D		3
---	---	---

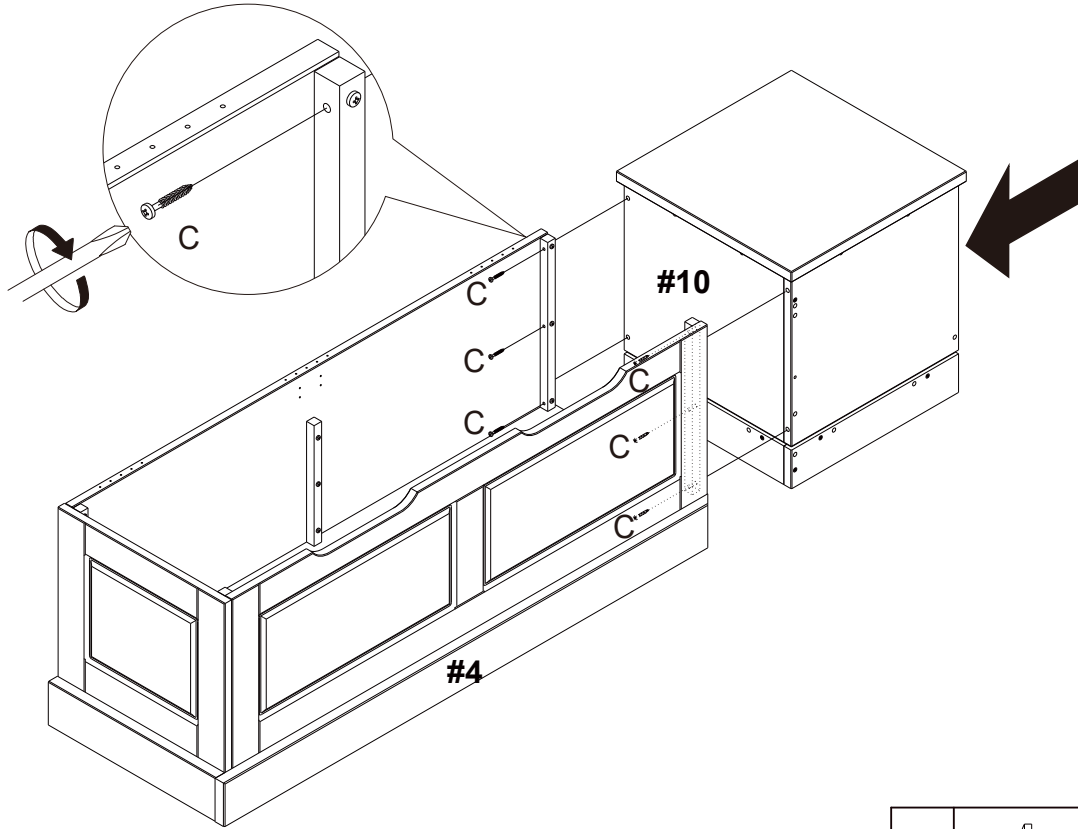
11.



12.

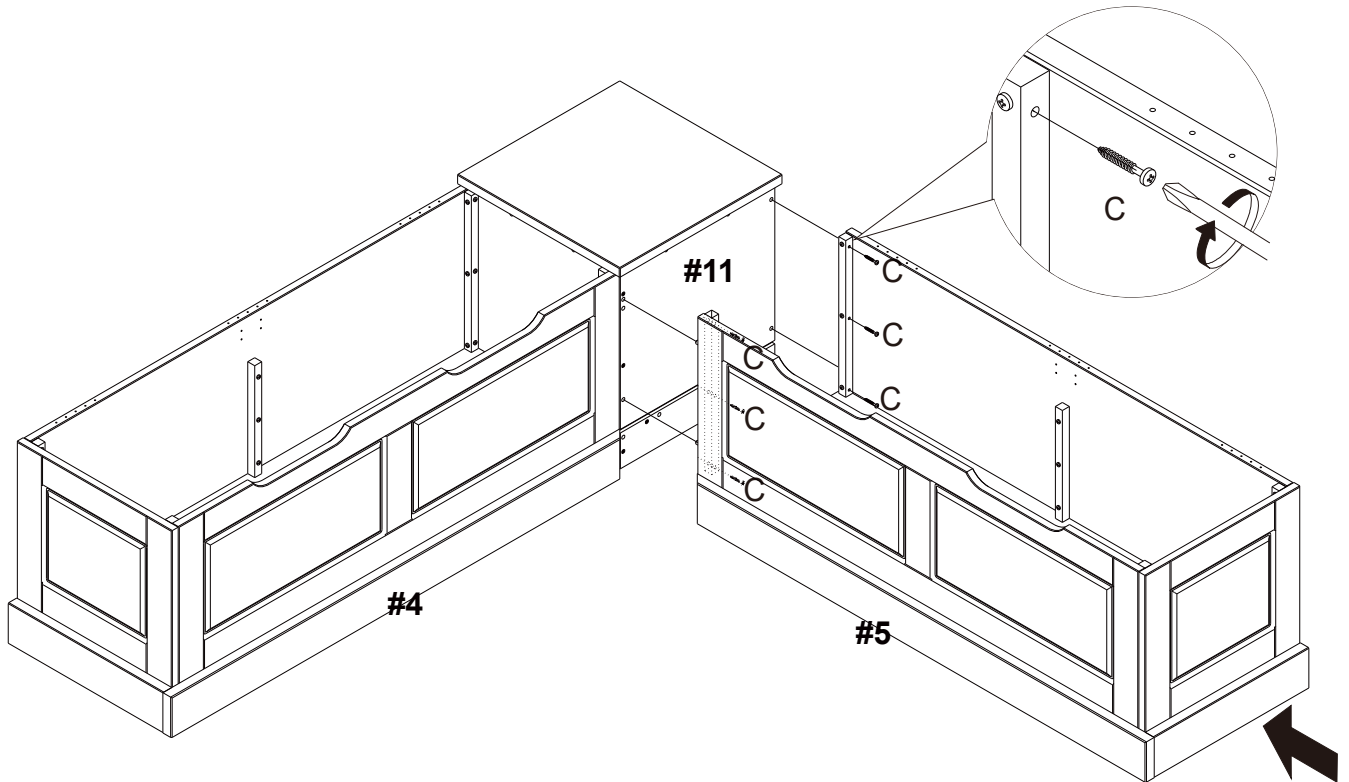



13.



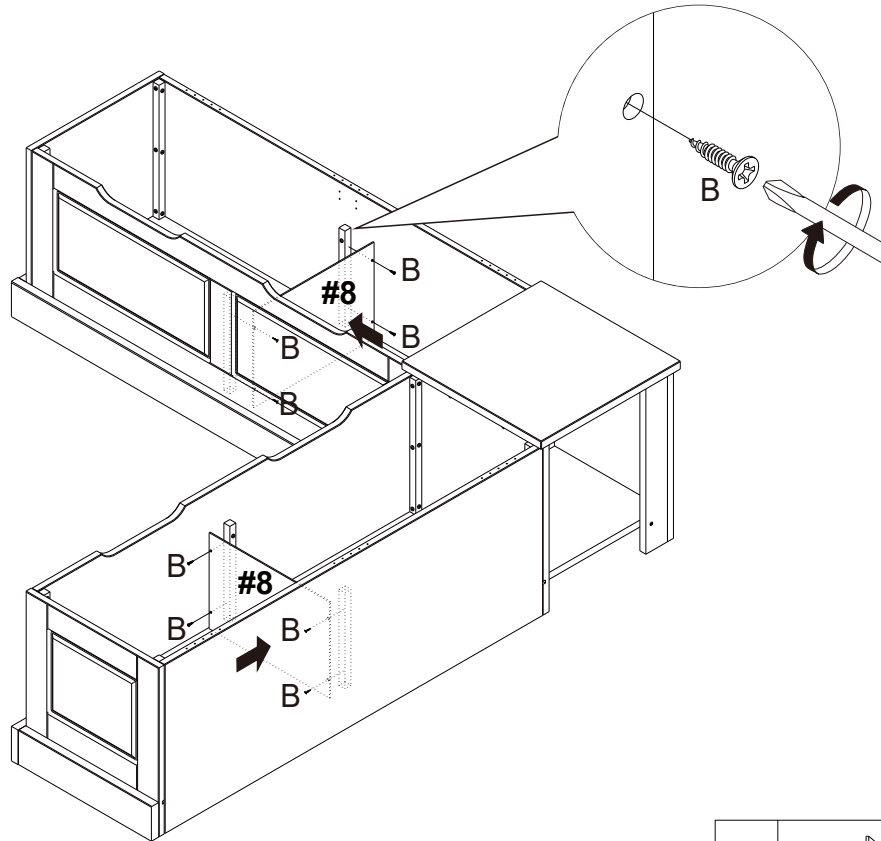
C		6
---	---	---


14.



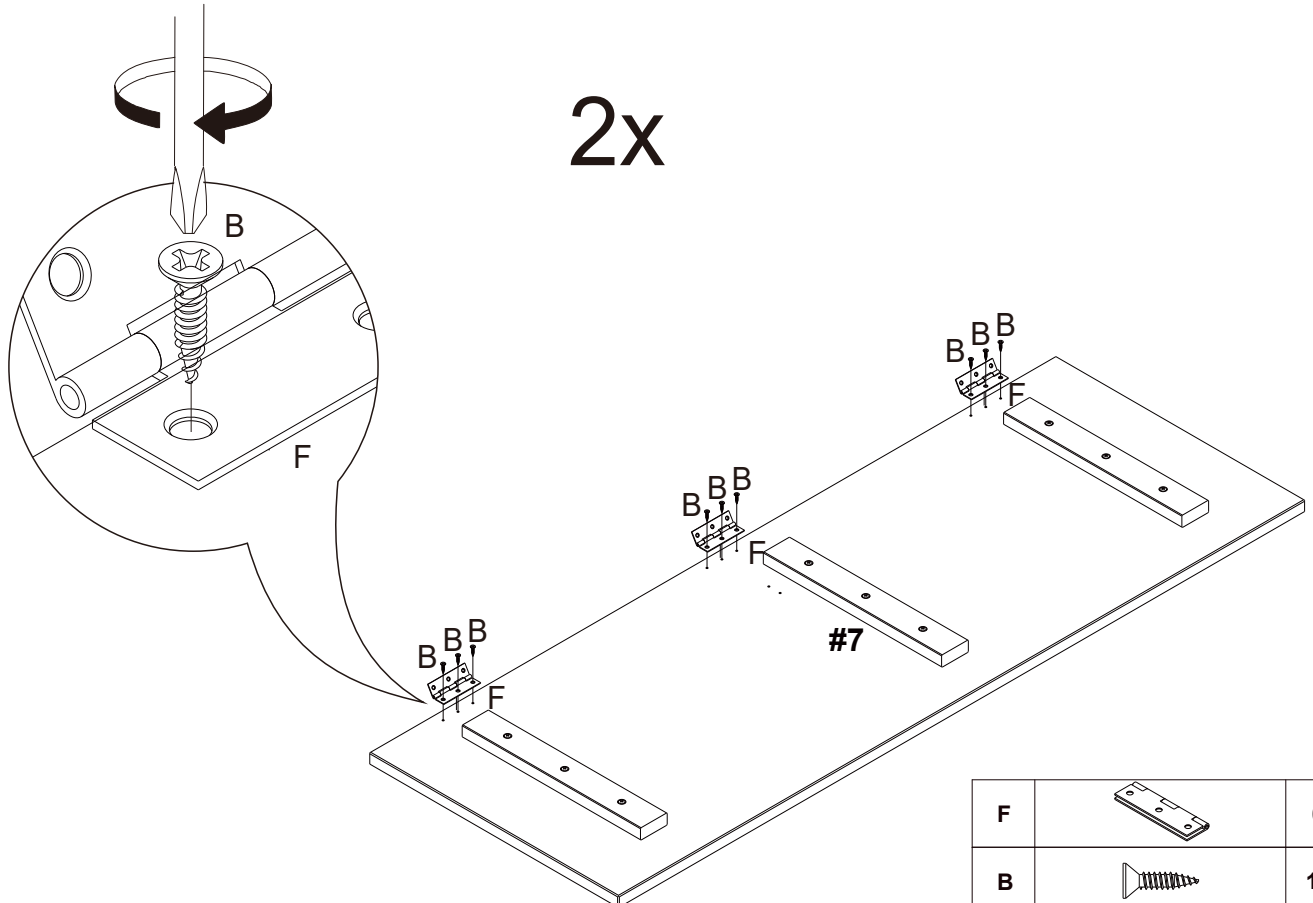
C		6
---	---	---



15.



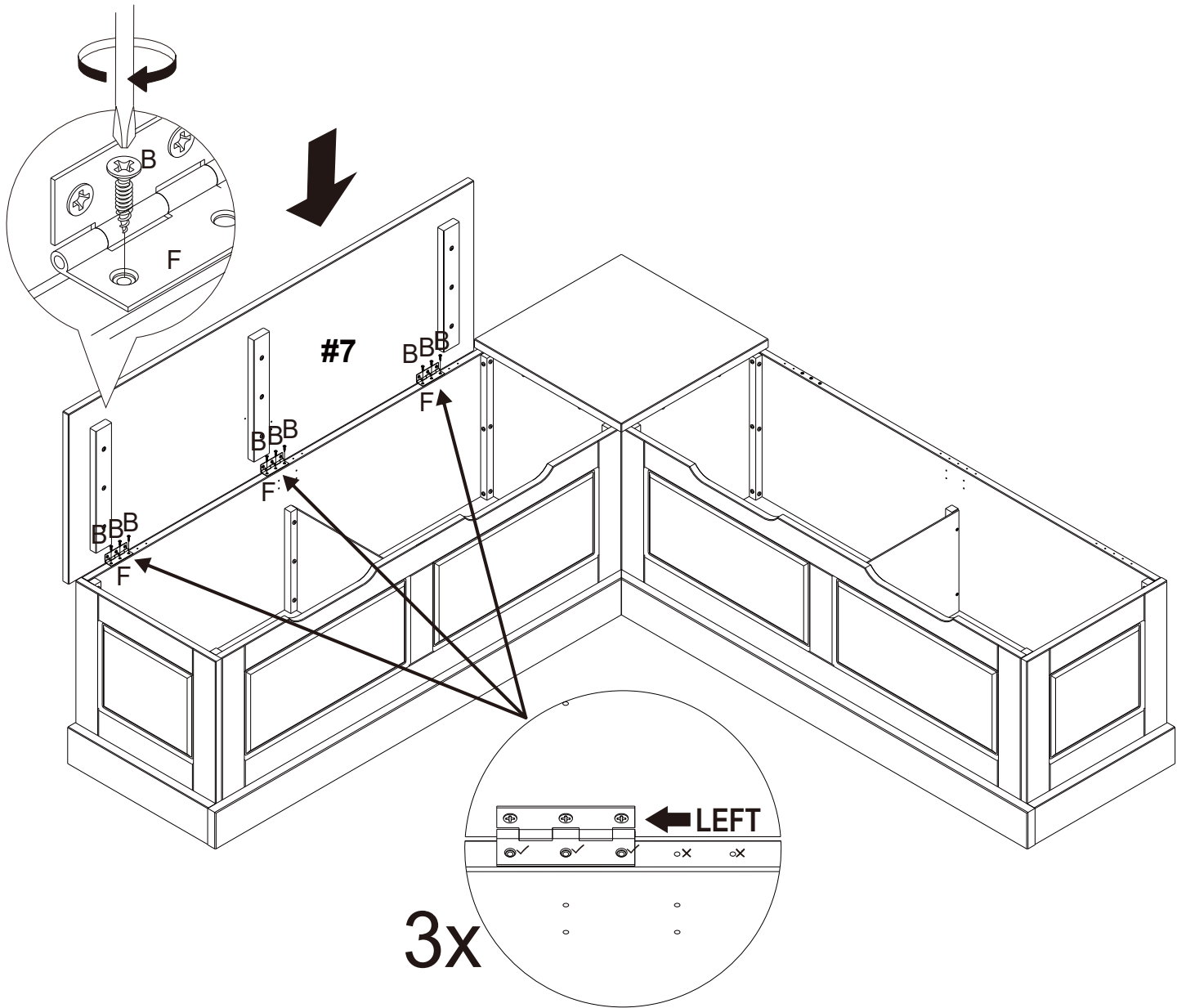
B		8
---	---	---

16.




F		6
B		18

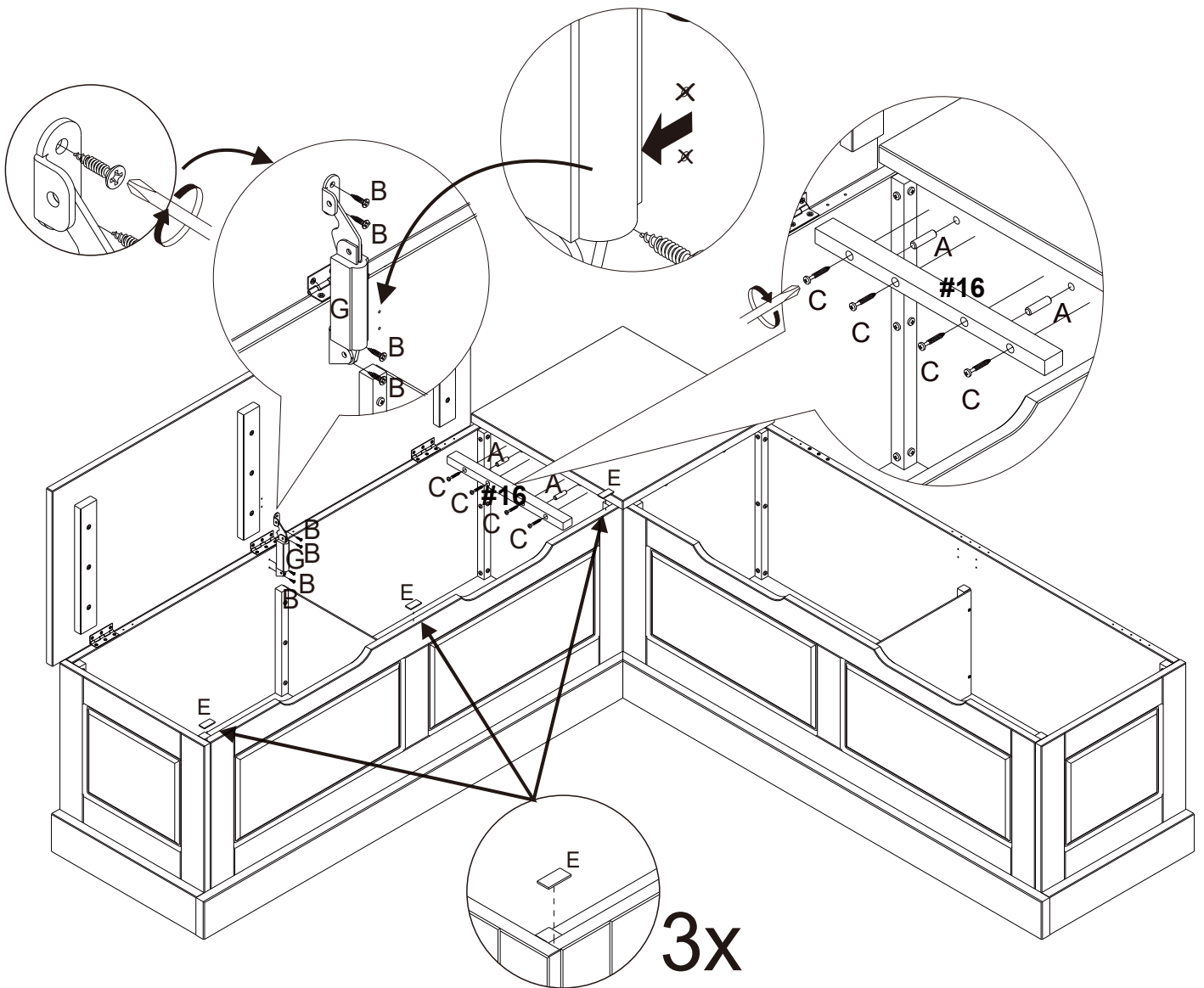
17.



In order not to confuse with similar pieces, there are double holes for the hinges. Please pay attention to fix as per drawing and details.

B		9
---	---	---

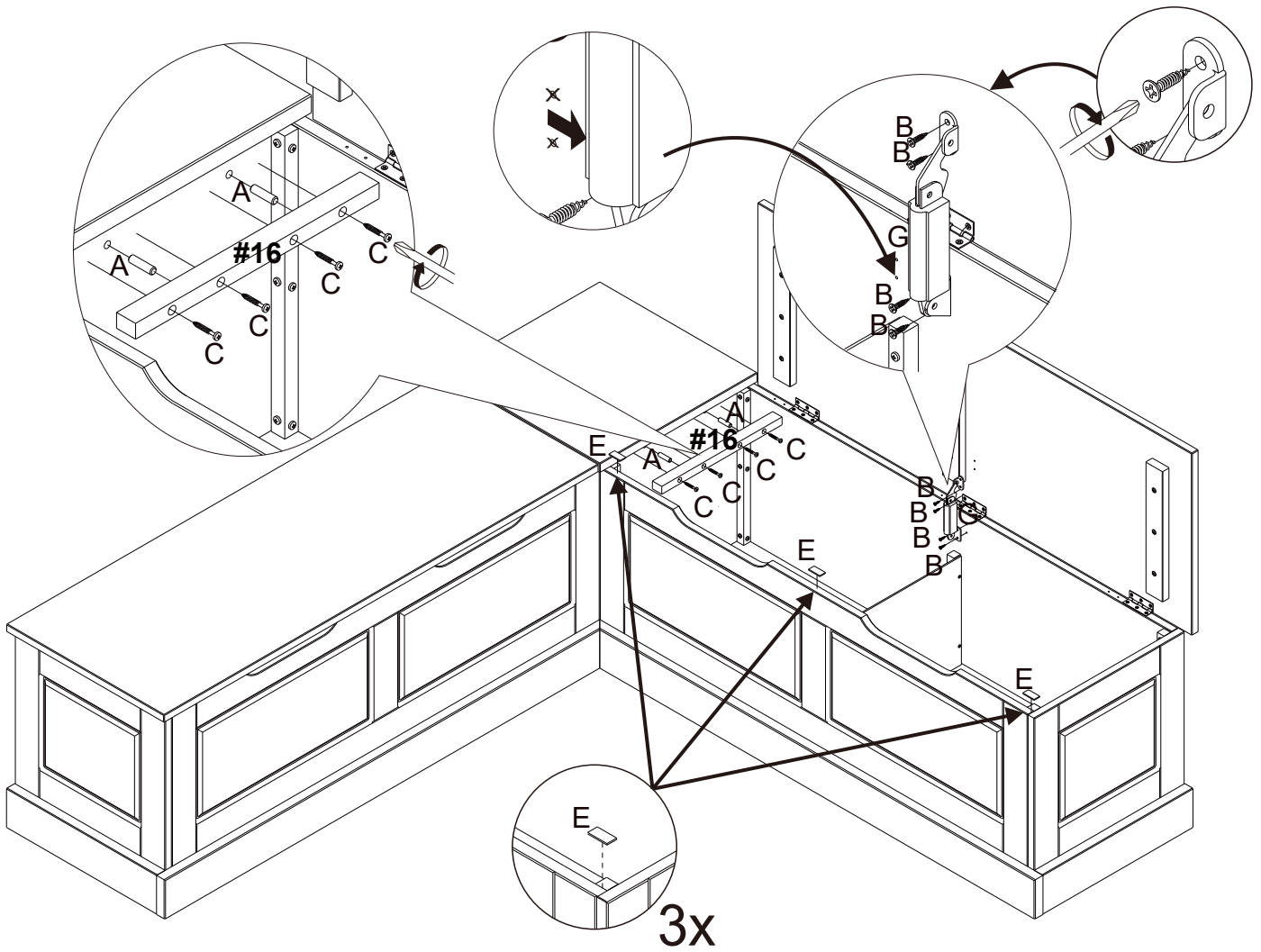
18.





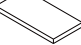


In order not to confuse with similar pieces, there are double holes for the safety hinges. Please pay attention to fix as per drawing and details.

A		2
C		4
E		3
G		1
B		4

20.



In order not to confuse with similar pieces, there are double holes for the safety hinges. Please pay attention to fix as per drawing and details.

A		2
C		4
E		3
G		1
B		4