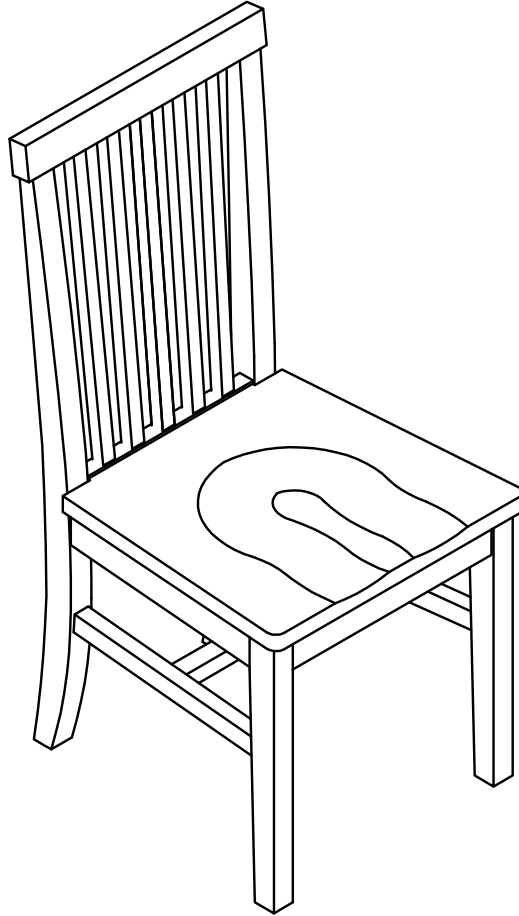


PERRY SLAT BACK SOLID WOOD DINING CHAIR


SKU# 2259001001

SKU# 2259001002

SKU# 2259001003

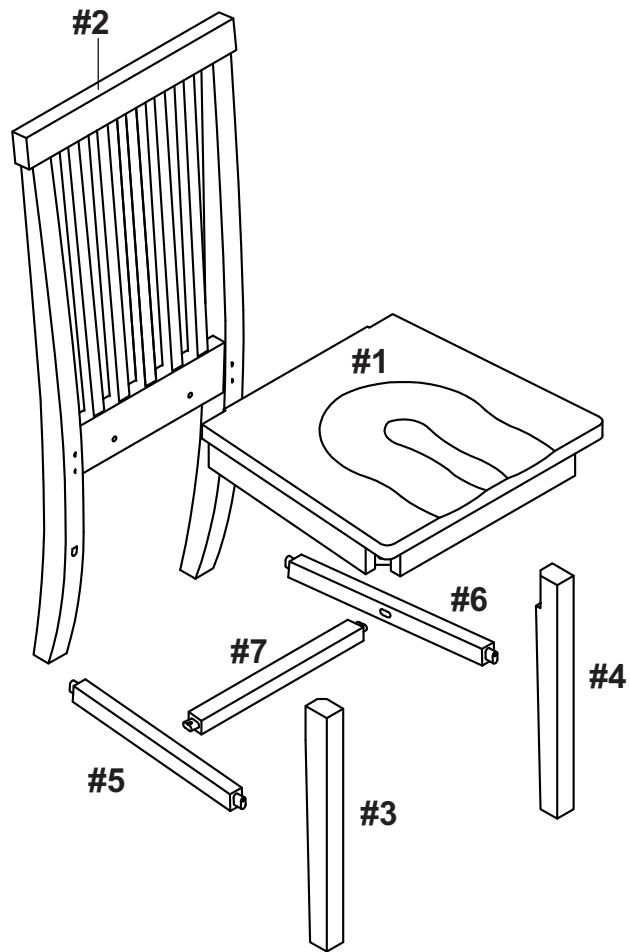


NKC-20270-VN

 **WARNING: To avoid serious personal injury:**



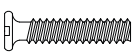



- Carefully and strictly follow assembly instructions. Improper assembly of furniture can result in structural failure, instability of the product, or tip-over.
- Monitor and carefully control the assembly components. These include small parts and hardware that may present a choking hazard to small children. Bob's furniture should be assembled only by responsible adults and children should not be involved in the assembly process.
- Where provided, wall mounting hardware should always be used as prescribed in these instructions to anchor furniture to wall. Proper use of the wall mounting hardware can significantly reduce the potential for furniture tip-over and crushing injuries.

PART LIST





#1	SEAT ASSEMBLY	01
#2	BACK ASSEMBLY	01
#3	LEFT FRONT LEG ASSEMBLY	01
#4	RIGHT FRONT LEG ASSEMBLY	01
#5	LEFT SIDE STRETCHER	01
#6	RIGHT SIDE STRETCHER	01
#7	FOOT STRETCHER	01

HARDWARE LIST

A		BACK LEG BOLT (Ø1/4" X 3-1/8")	04
B		FRONT LEG BOLT (Ø1/4" X 2-3/8")	04
C		BACK LEG BOLT (Ø1/4" X 1-9/16")	02
D		SPRING WASHER	10
E		FLAT WASHER	10
F		ROUND HEAD SCREW (Ø4x1-3/4")	06

NOTE: Find the label of "Hardware Enclosed" on one of the carton corner then follow the red ribbon to get the hardware bag.

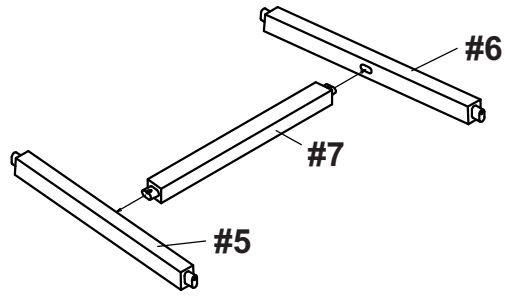
TOOLS REQUIRED

ALLEN KEY		SUPPLIED
PHILLIP SCREWDRIVER		NOT SUPPLIED

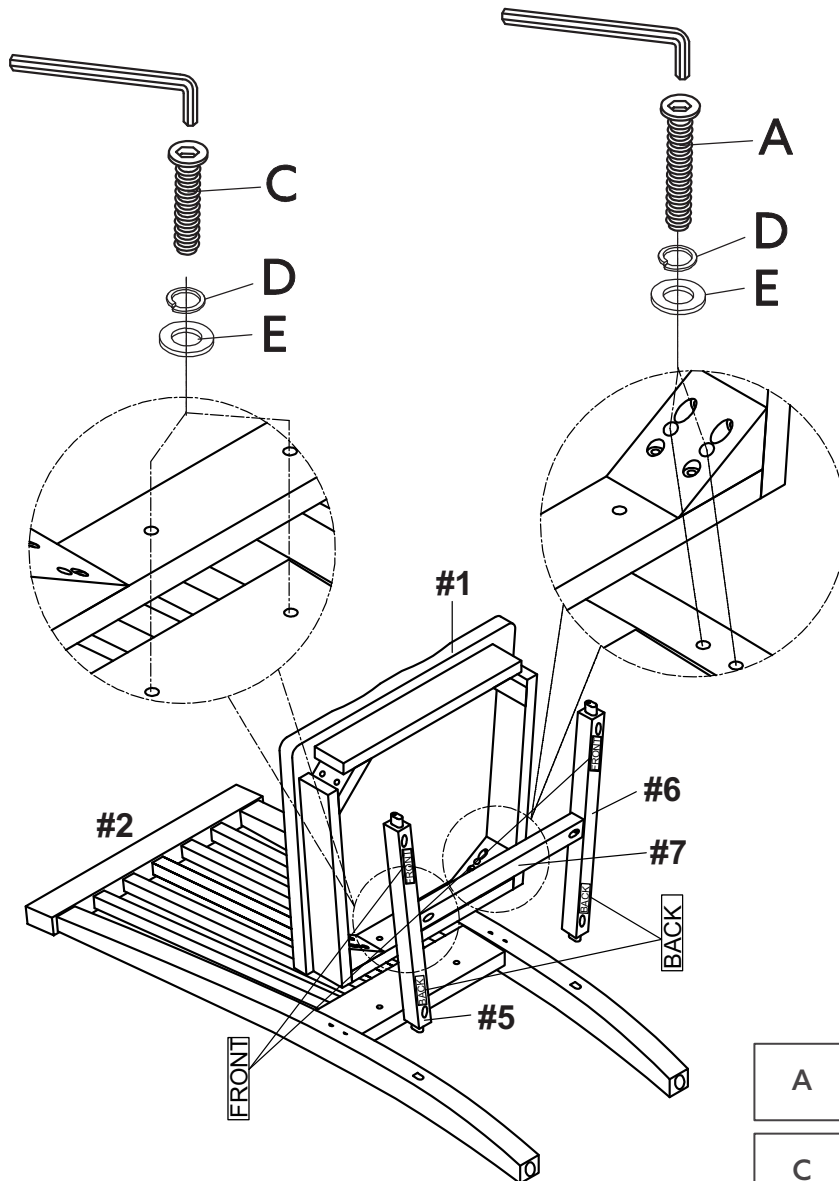
IMPORTANT:

1. Do not tighten bolts completely until all bolts are completely lined up and inserted into holes / nuts.
2. Do not over tighten screws and bolts to avoid stripping.
3. Please use hand tools to assemble this product. Do not use power tools.
4. For ease of assembly, two adults are recommended

1.



2.

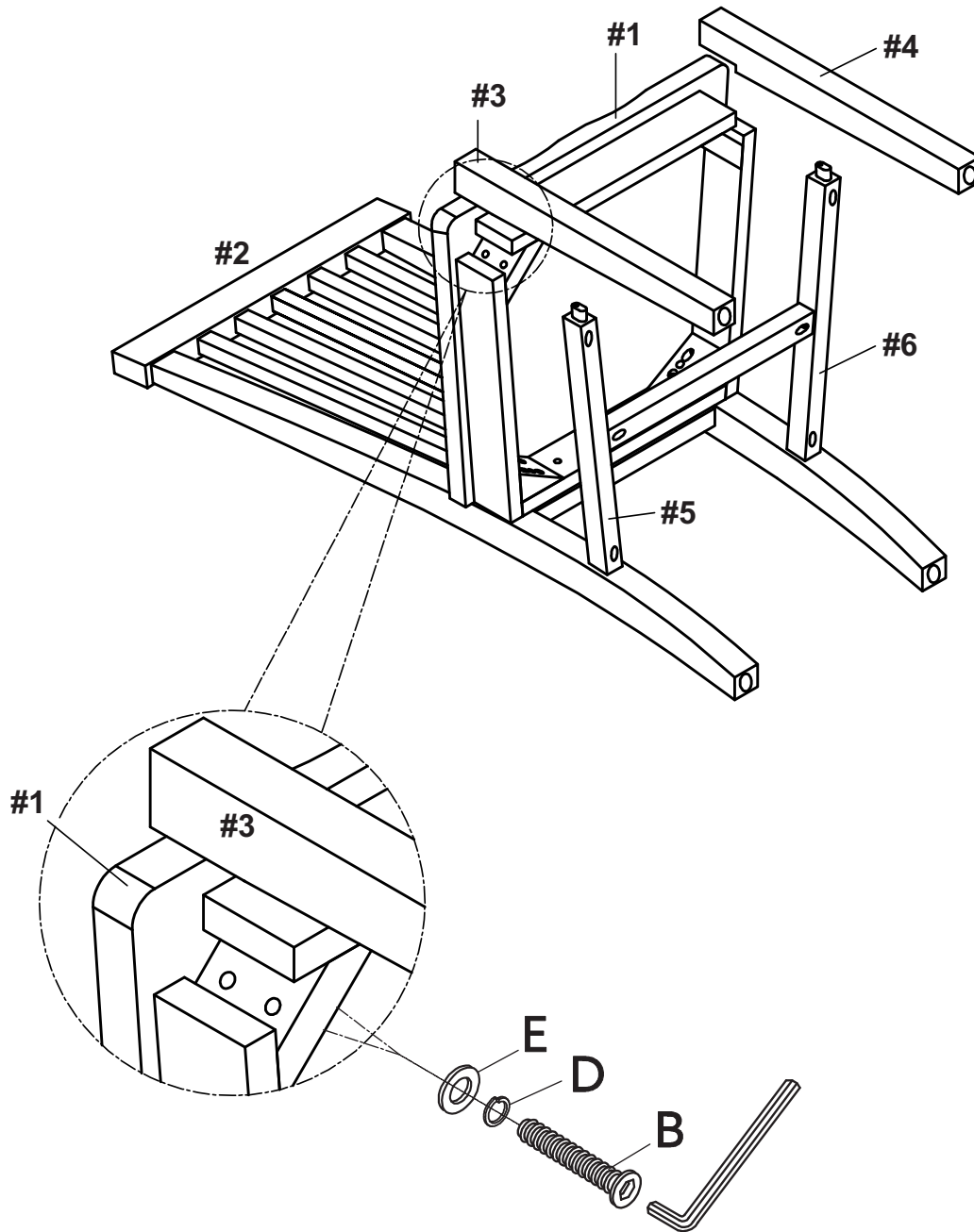


A		04
C		02
D		06
E		06

Do not tighten bolts completely until all bolts are completely line up and inserted into holes.




Be sure the legs are level then fully tighten the leg bolts!

3.

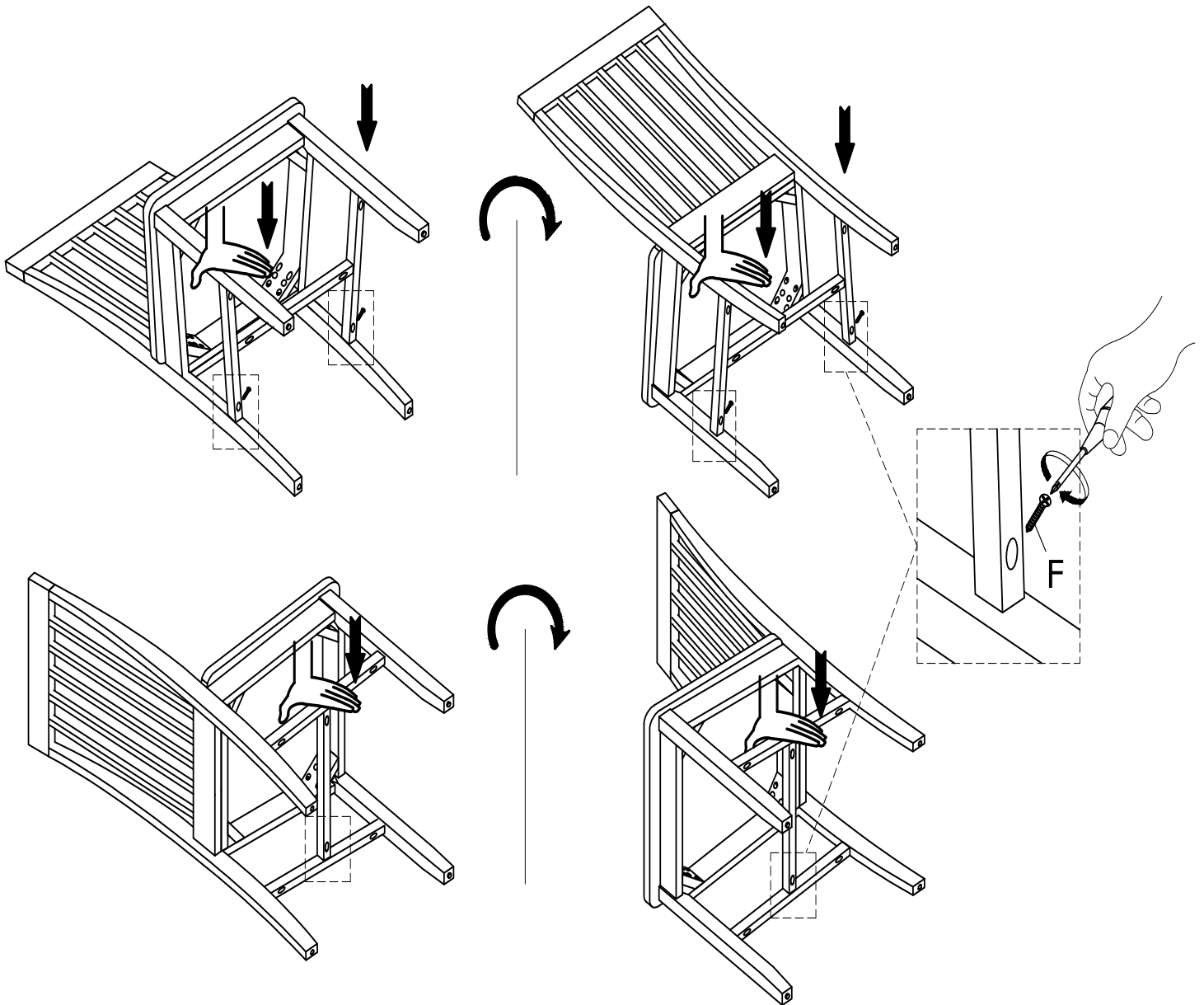


Do not tighten bolts completely until all bolts are completely line up and inserted into holes.

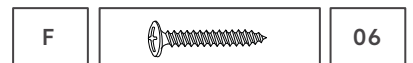
Be sure the legs are level then fully tighten the leg bolts!

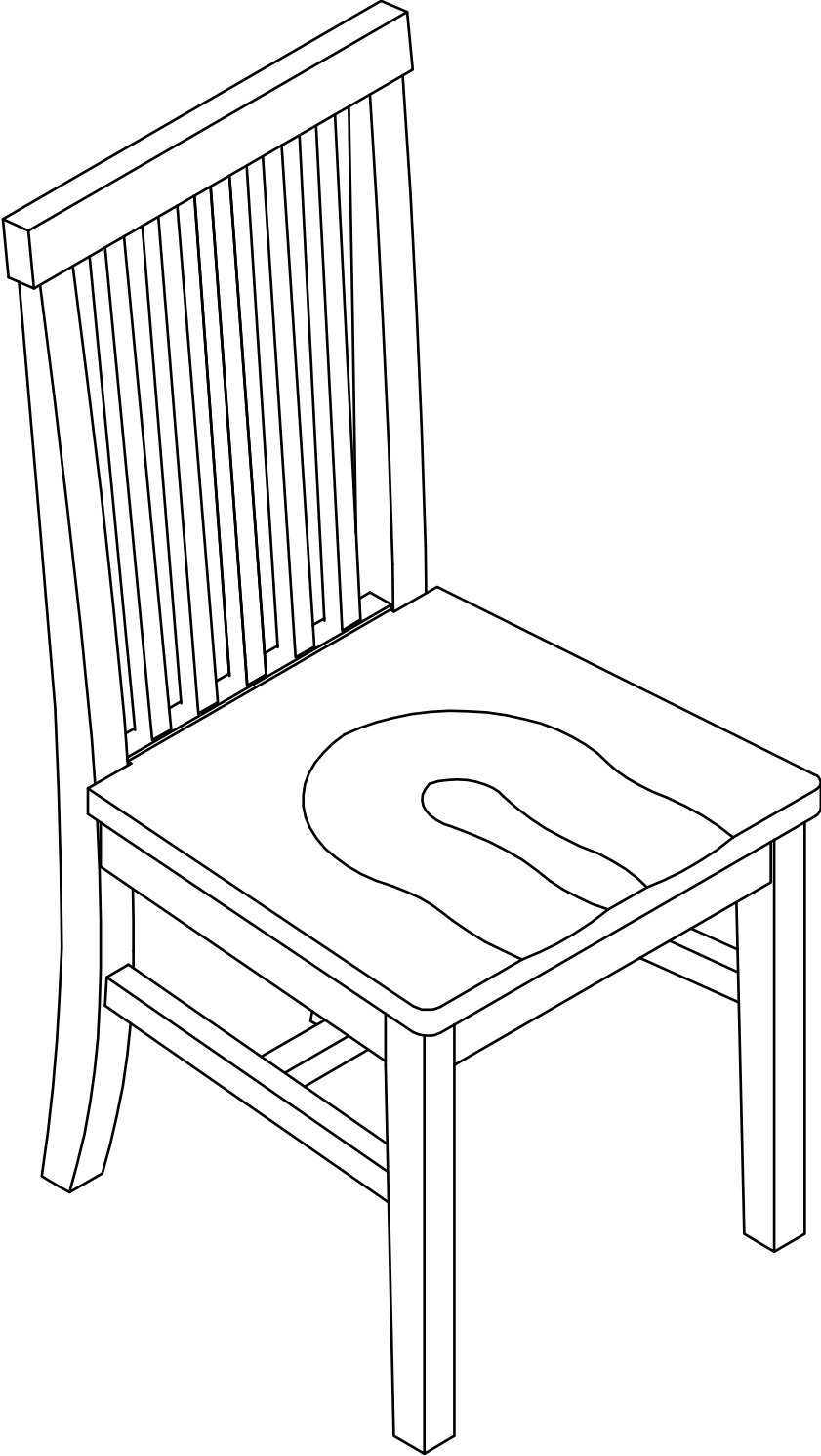
B		04
D		04
E		04

4.



Press the legs and stretchers to make sure no gaps then tighten the screws.





Tighten bolts firmly.