 **WARNING: To avoid serious personal injury:**

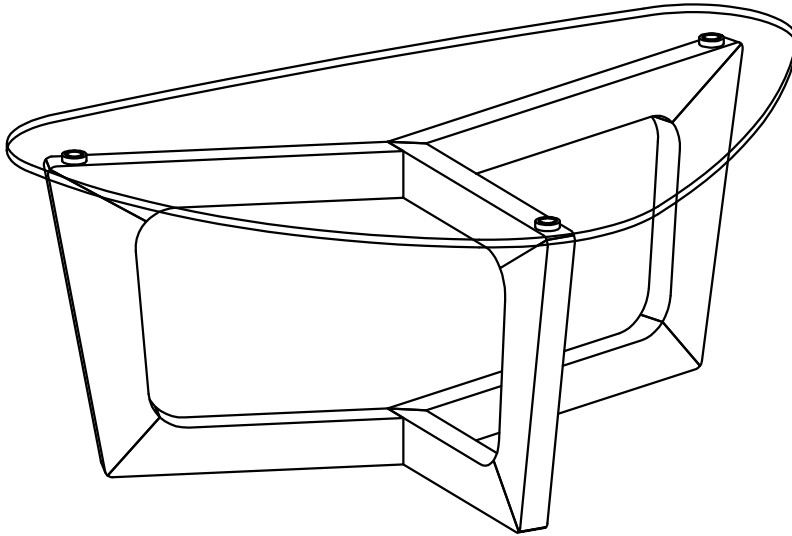
- Carefully and strictly follow assembly instructions. Improper assembly of furniture can result in structural failure, instability of the product, or tip-over.
- Monitor and carefully control the assembly components. These include small parts and hardware that may present a choking hazard to small children. Bob's furniture should be assembled only by responsible adults and children should not be involved in the assembly process.
- Where provided, wall mounting hardware should always be used as prescribed in these instructions to anchor furniture to wall. Proper use of the wall mounting hardware can significantly reduce the potential for furniture tip-over and crushing injuries.

ASSEMBLY INSTRUCTIONS

WALKER COFFEE TABLE



SCAN QR CODE FOR
ASSEMBLY VIDEO

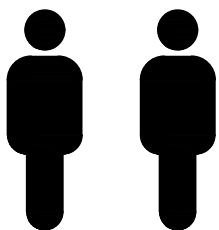


Please read below before assembly

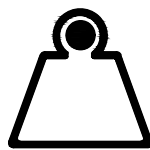
- Assemble the product on a flat, soft surface such as a carpet or cloth to prevent scratching the finish.
- Do not discard any content until assembly is complete to avoid accidentally discarding small parts or hardware.
- Take out all parts and hardware from box.
- Failure to follow these instructions may cause the bolts to misalign during assembly.

DISCLAIMERS:

- WHEN PROPERLY ASSEMBLED, THIS ITEM IS SAFE FOR INTENDED USE. SELLER IS NOT LIABLE FOR ANY DAMAGES RESULTING FROM ITEM BEING IMPROPERLY ASSEMBLED AFTER PURCHASE.
- BOLTS MAY LOOSEN DURING NORMAL EVERYDAY USE. THEY SHOULD BE INSPECTED AT LEAST EVERY 3 MONTHS AND RE-TIGHTENED AS NEEDED TO PREVENT DAMAGE OR INJURY, AND ENSURE STABILITY.



PEOPLE NEEDED



75

lbs table top

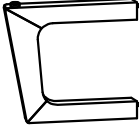
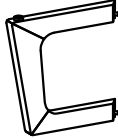
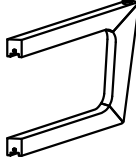

WEIGHT LIMIT

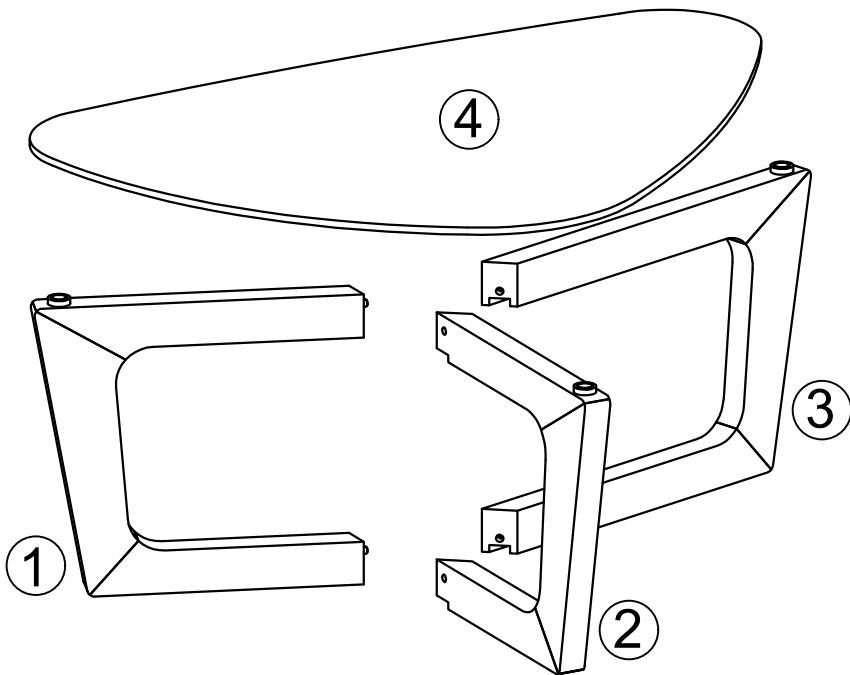


15
Minutes






ESTIMATED TIME

PARTS LIST

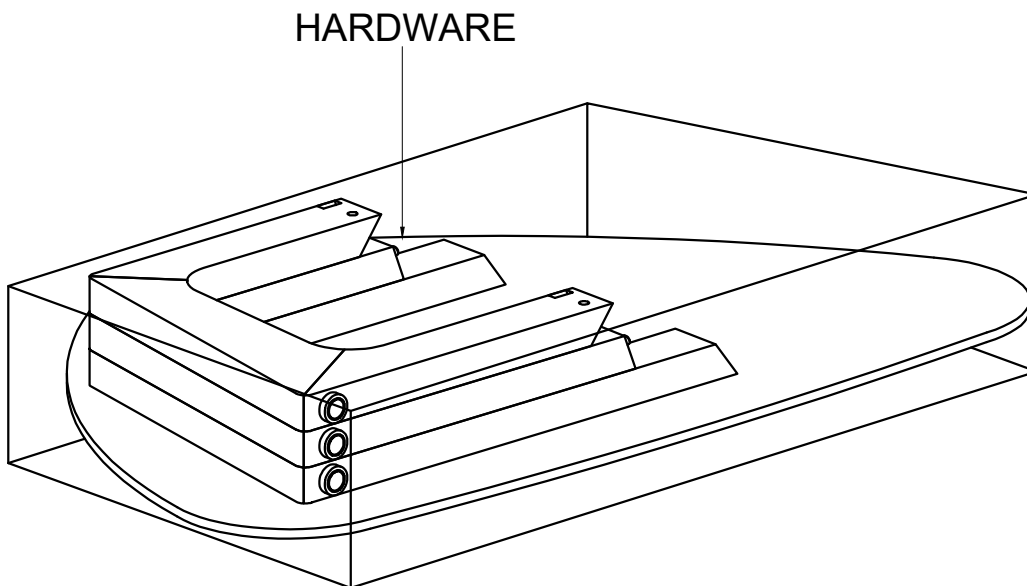
①	LEG FRAME 1		1 PC
②	LEG FRAME 2		1 PC
③	LEG FRAME 3		1 PC
④	TABLE TOP		1 PC



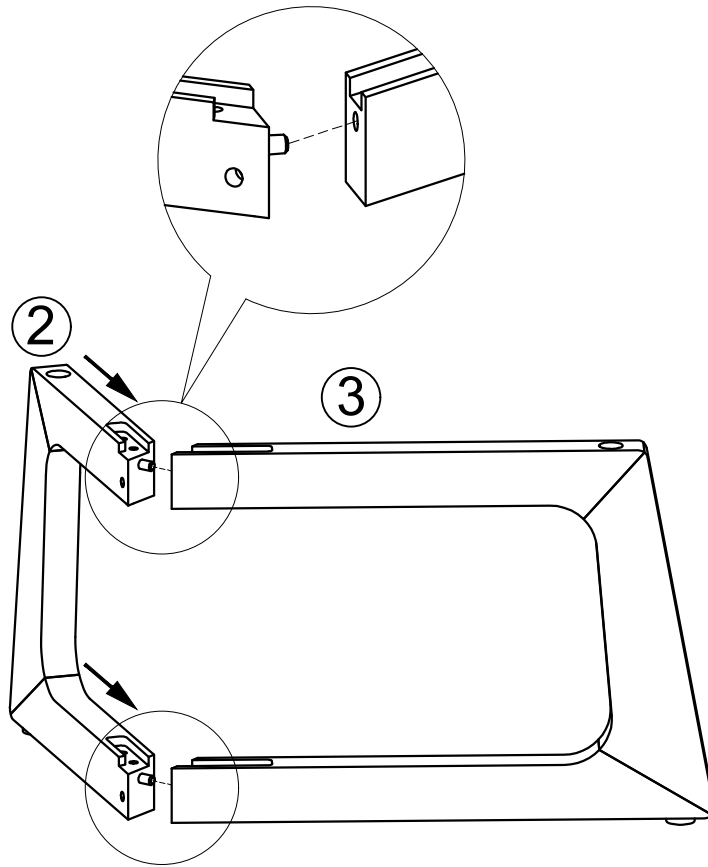
HARDWARE LIST

A	BOLT- Ø1/4" x 5/8"		12 PCS
B	LOCK WASHER - Ø1/4"		12 PCS
C	FLAT WASHER - Ø1/4" x 5/8"		12 PCS
D	METAL BRACKET		2 PCS
E	ALLEN KEY -1/4"		1 PC

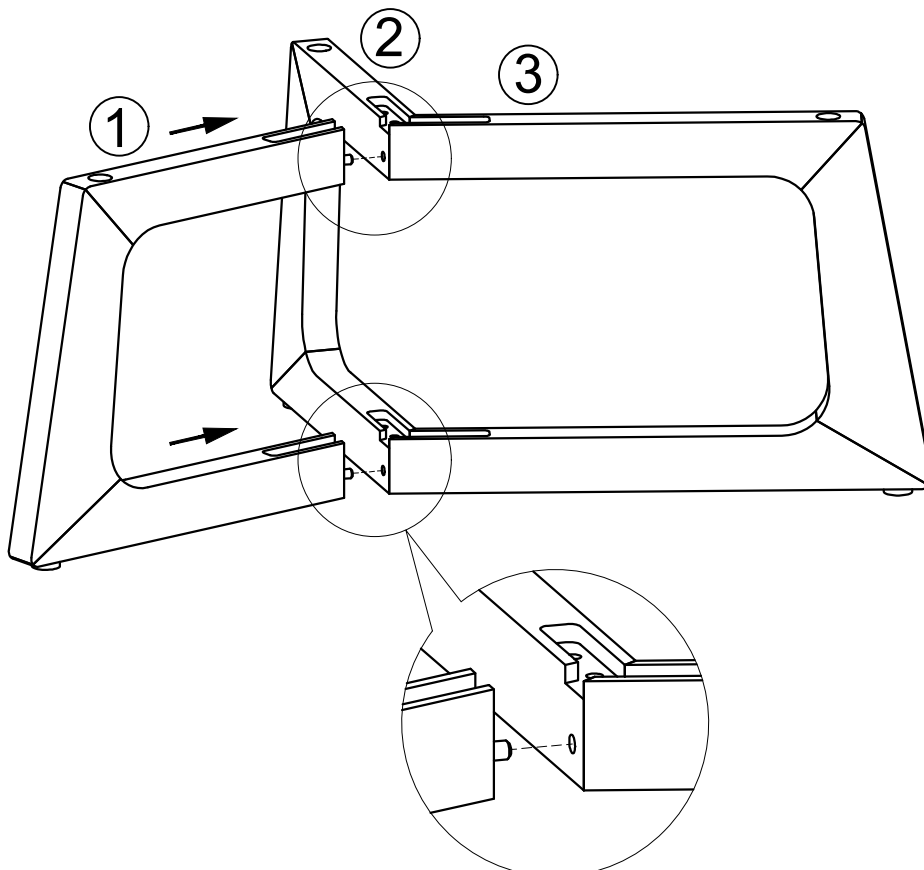
STEP 1 LOCATE PARTS AND HARDWARE PER BELOW DRAWING








STEP 2

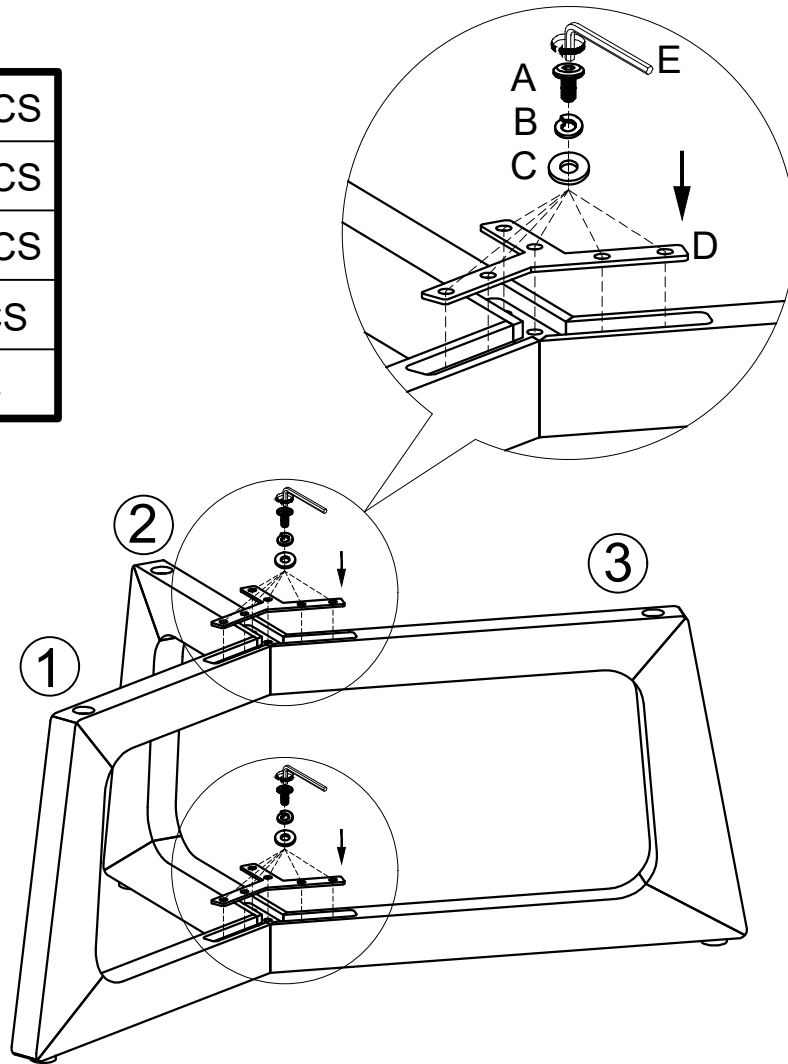


STEP 3

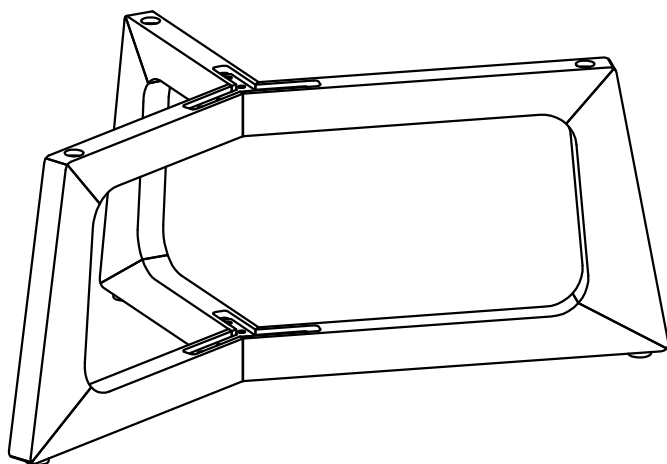


STEP 4

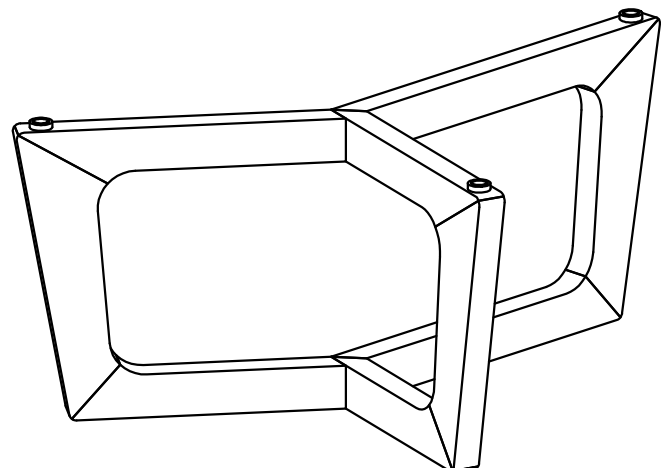
A		12 PCS
B		12 PCS
C		12 PCS
D		2 PCS
E		1 PC



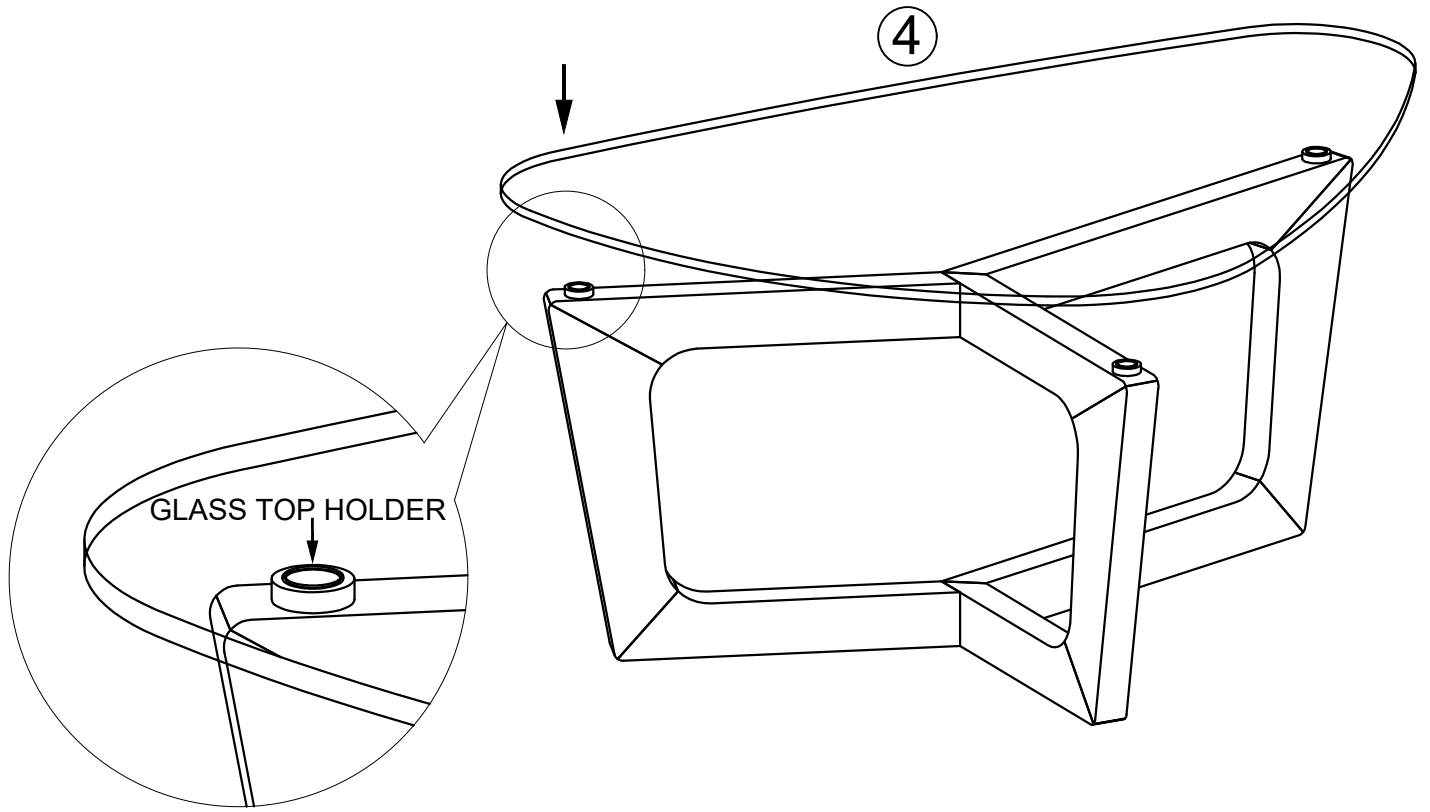
STEP 5



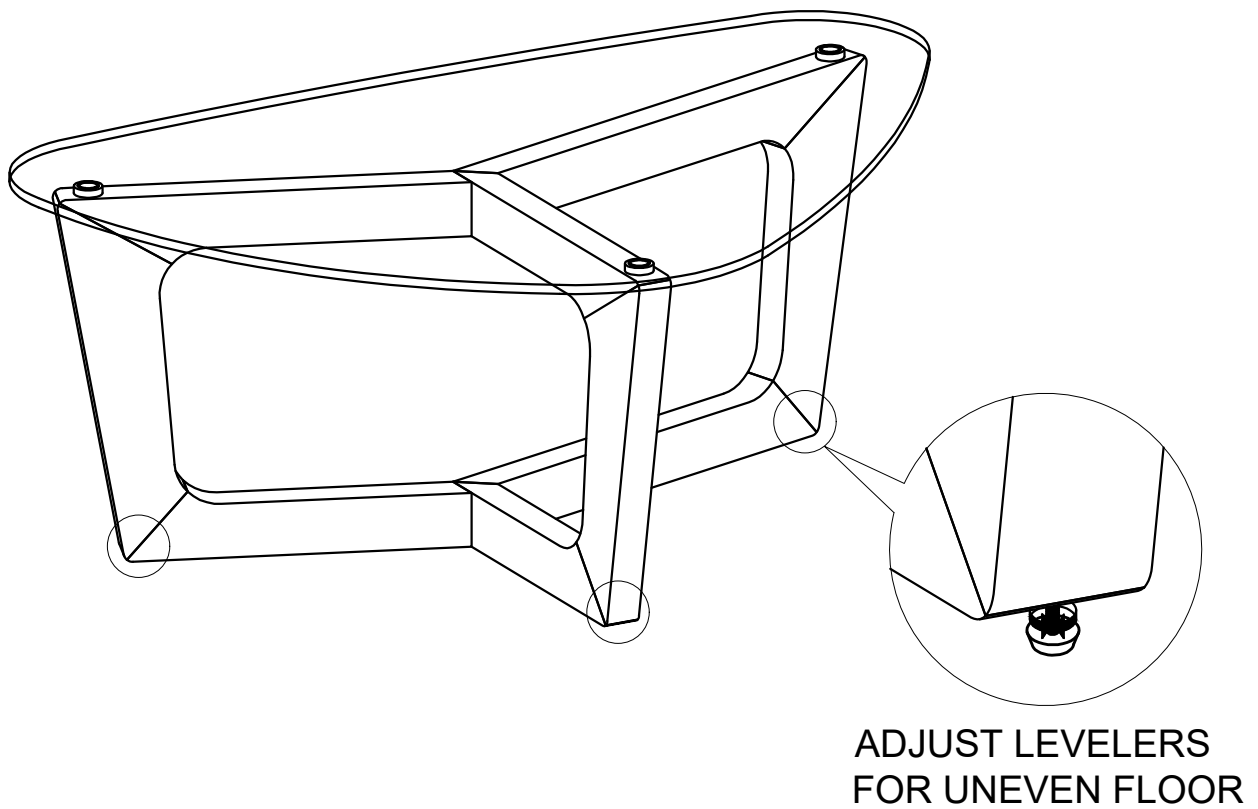
FLIP OVER THE LEG AS DRAWING BELOW



STEP 6



STEP 7



Care & Maintenance

Do...



Wipe up spills immediately.



Dust and pick-up spills using a clean, non-colored, lint-free, dry cloth.



Use mild non-abrasive soap and water.

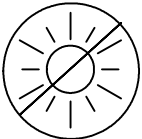
Don't...



Do not put hot items directly on furniture surface.



Do not clean furniture with harsh cleansers or polish.



Do not place furniture in direct sunlight.



Do not place furniture near heating or cooling vents.



Do not write on furniture without a padded barrier to protect the surface.



Do not place furniture outside. For indoor use only.