

 **WARNING: To avoid serious personal injury:**

- Carefully and strictly follow assembly instructions. Improper assembly of furniture can result in structural failure, instability of the product, or tip-over.
- Monitor and carefully control the assembly components. These include small parts and hardware that may present a choking hazard to small children. Bob's furniture should be assembled only by responsible adults and children should not be involved in the assembly process.
- Where provided, wall mounting hardware should always be used as prescribed in these instructions to anchor furniture to wall. Proper use of the wall mounting hardware can significantly reduce the potential for furniture tip-over and crushing injuries.

Assembly Instruction


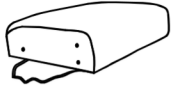



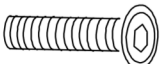
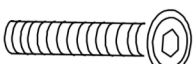


ITEM NO.:1172BE-1/BK-1/GB-1/GY-1 Accent Chair.



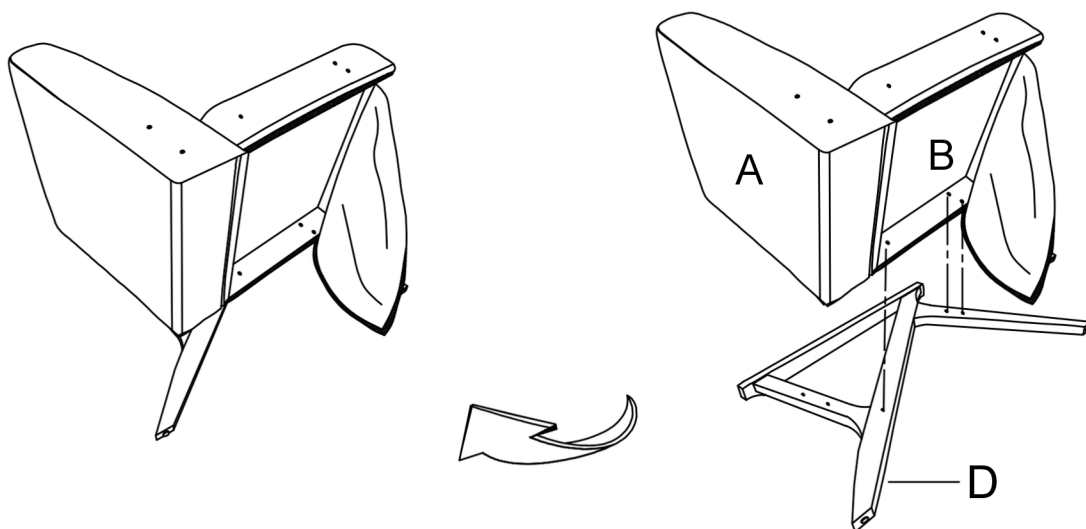
Hardware is stored at the bottom of the accent chair.
Please take out the legs and hardware for assembly.

Note: Do not use power tools for assembly. Power tools increase the risk of over tightening which lead to spliting or cracking the wood.

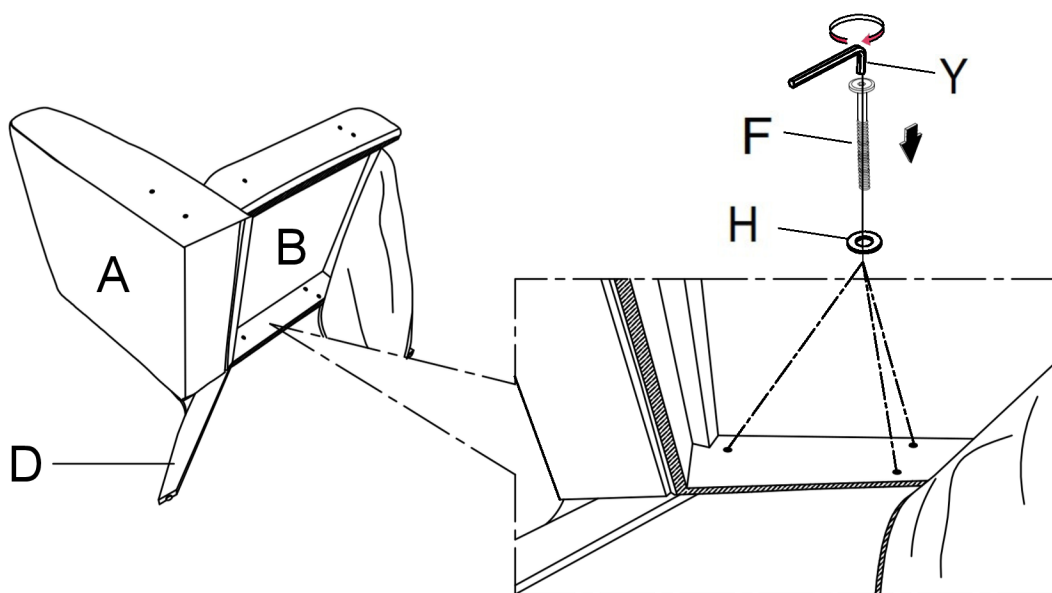
Component list

No	Drawing	Description	Qty
A		BACK CUSHION	1 PC
B		SEAT BASE	1 PC
C		LSF WOODEN FRAME ARM & LEG	1 PC
D		RSF WOODEN FRAME ARM & LEG	1 PC
E		LUMBAR PILLOW (21.5" X 11")	1 PC
F		BOLT M8x1.4"L	6 PCS
G		BOLT M8x2"L	6 PCS
H		FLAT WASHER Ø5/16"x7/8"x1.5mmT	8 PCS
Y		ALLEN KEY 1/6"x2.6"L	1 PC

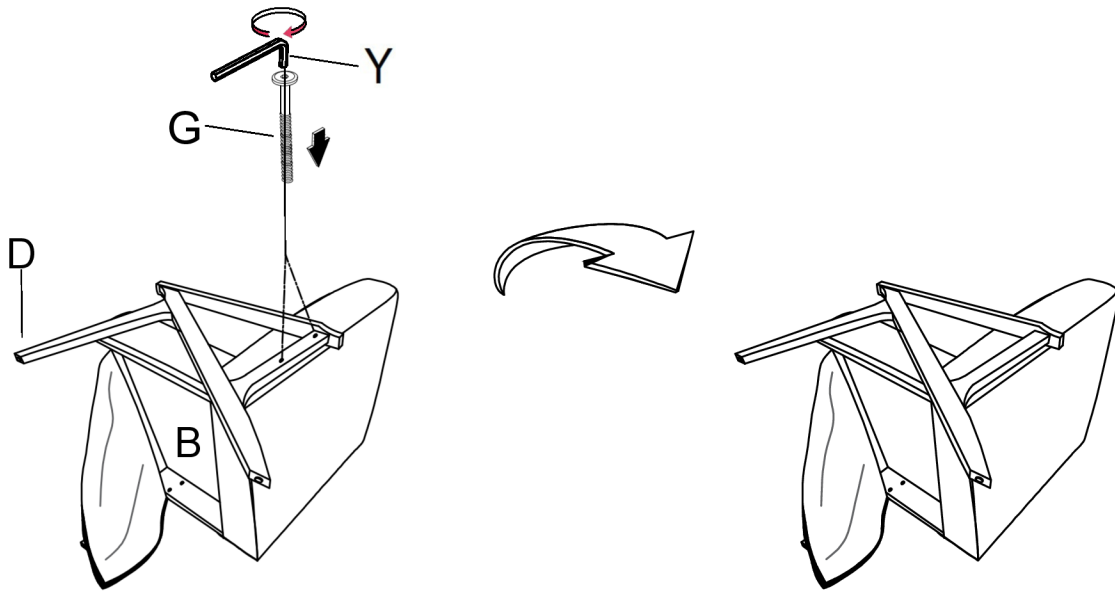
Step #3



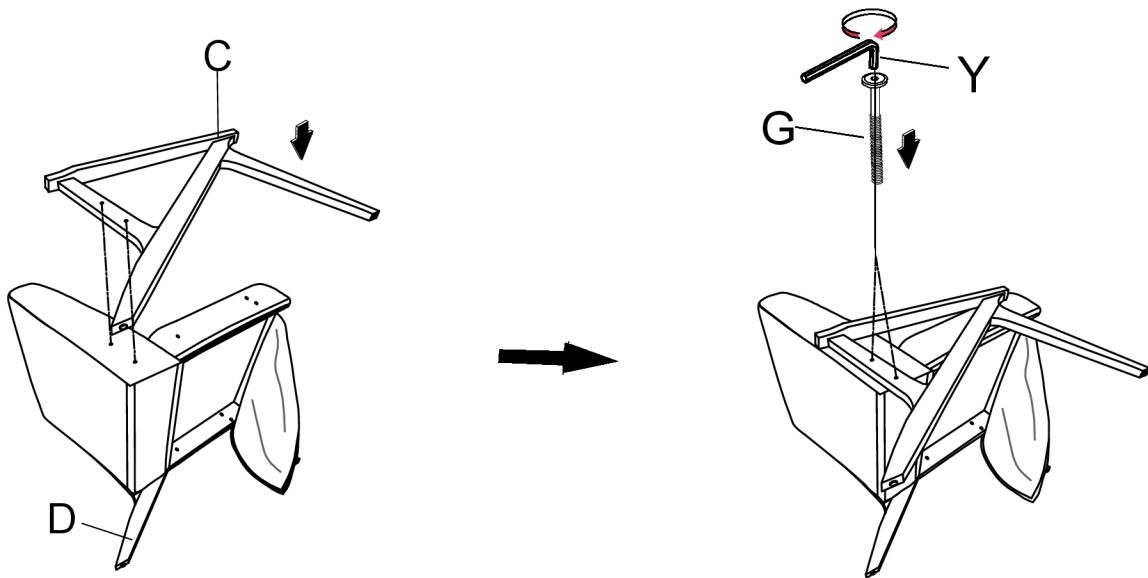
Step #4



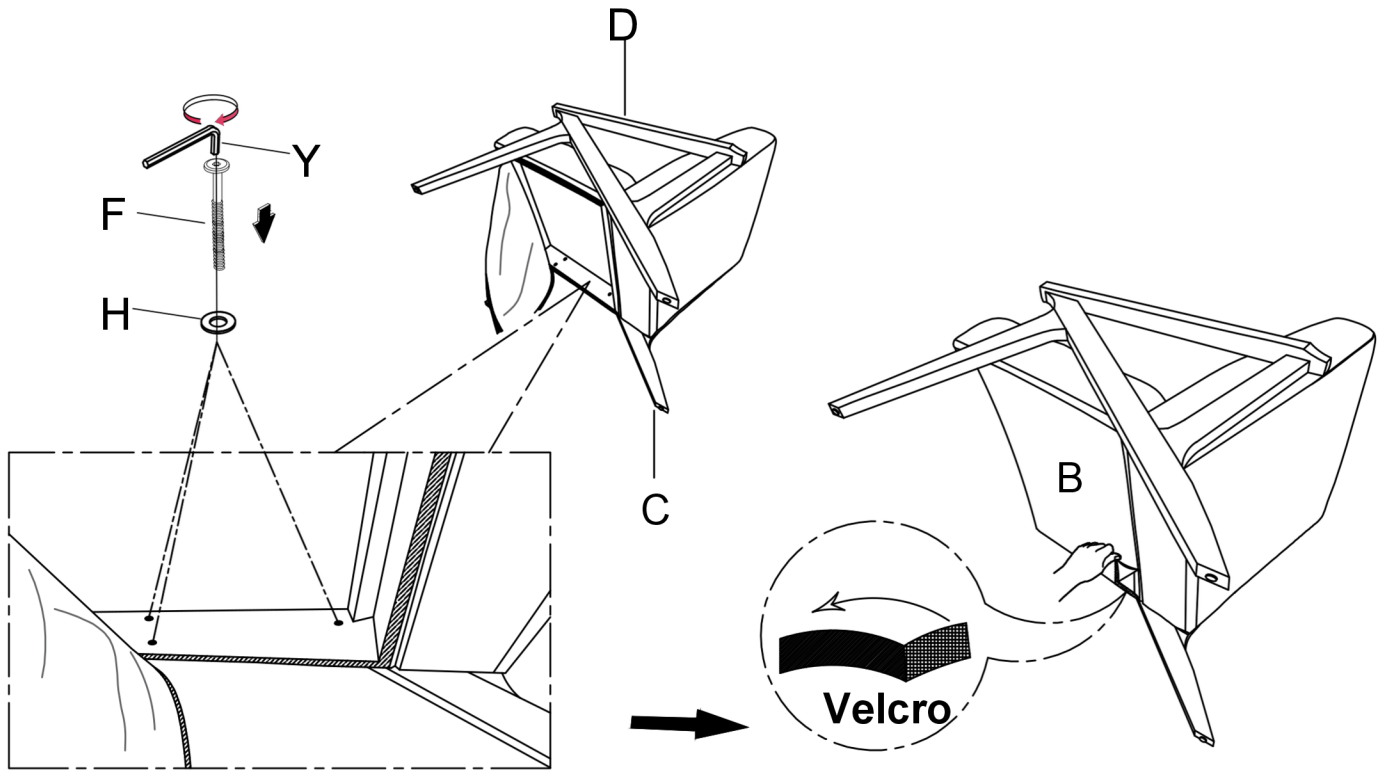
Step #5



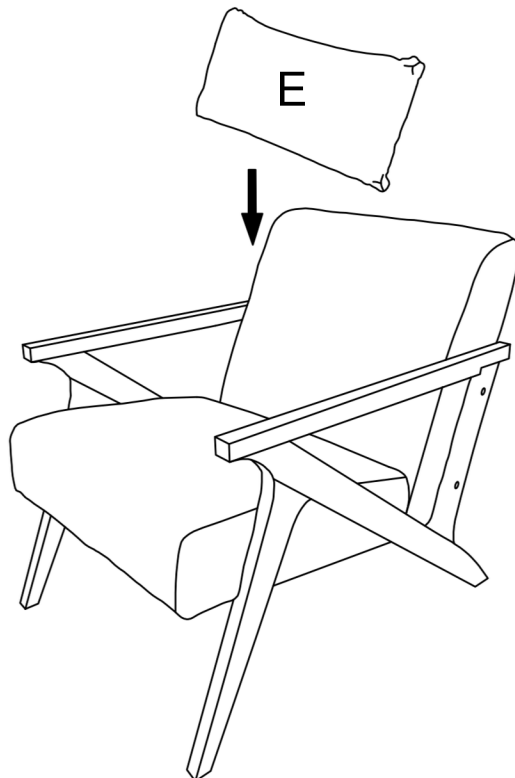
Step #6



Step #7

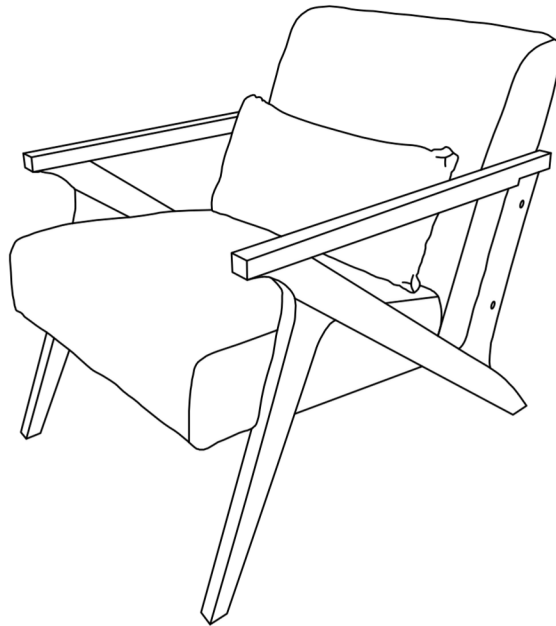


Step #8



Step #9

Completed



Care Instruction for Fabric Furniture:

In order to maintain the original appearance of your fabric furniture, please follow below simple care procedures:

- Avoid exposing furniture directly to sunlight or heating and air conditioning outlets. Sunlight and or exposure to heating and air conditioning outlets will fade/damage Fabric.
- Vacuum or wipe with a soft cloth to remove dust.
- Hardware may loosen over time. Periodically check to make sure all connections are tight, Re-tighten if necessary



For items used on wooden floor, hard surfaces or carpets, it is recommended to install protective pads under all legs and supports to avoid/prevent from damages/scratches and discoloration.