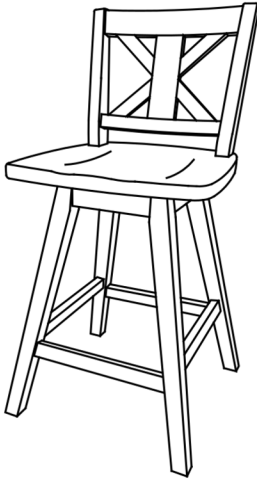


 **WARNING: To avoid serious personal injury:**

- Carefully and strictly follow assembly instructions. Improper assembly of furniture can result in structural failure, instability of the product, or tip-over.
- Monitor and carefully control the assembly components. These include small parts and hardware that may present a choking hazard to small children. Bob's furniture should be assembled only by responsible adults and children should not be involved in the assembly process.
- Where provided, wall mounting hardware should always be used as prescribed in these instructions to anchor furniture to wall. Proper use of the wall mounting hardware can significantly reduce the potential for furniture tip-over and crushing injuries.

ASSEMBLY INSTRUCTION INSTRUCTIONS D'ASSEMBLAGE

ITEMNO : 5602-24BK/5602-24WT SWIVEL COUNTER HEIGHT CHAIR / TABOURET PIVOTANT HAUTEUR COMPTOIR



Thank you for purchasing the product. Please take time to read and follow the instruction below. Check that you have all parts and hardware before assembly. Parts apparently missing are often found in the packing materials. If you do not have all the parts listed, have your dealer contact us and they will be sent to you immediately.

Merci d'avoir acheté ce produit. Veuillez lire et suivre les instructions ci-dessous.

Vérifiez avant le montage que vous avez toutes les pièces et fixations. Les pièces qui semblent manquer se trouvent souvent dans les matériaux d'emballage. Si vous n'avez pas toutes les pièces de la liste, demandez à votre détaillant et nous vous les enverrons immédiatement.



It is recommended to install protective pads under all legs and support to avoid damage or scratches when placing furniture on a wood floor or other hard surface, and to limit indentation and prevent discoloration if placing on carpet.



Il est recommandé de placer des coussins protecteurs sous tous les pieds et toutes les bases des meubles pour éviter d'endommager ou d'égratigner les planchers en bois ou autres surfaces dures, et pour limiter l'empreinte et empêcher la décoloration quand les meubles reposent sur la moquette.




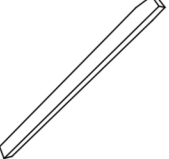
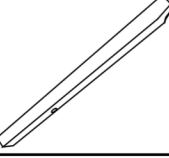
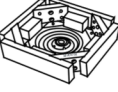
CAUTION!/CAUTION :







(1) DO NOT FULLY-TIGHTEN THE NUTS OR BOLTS INITIALLY UNTIL ALL THE NUTS AND BOLTS ARE IN PLACE.

(TO AVOID CAUSING DAMAGES TO THE THREAD, DO NOT OVER-TIGHTEN THE NUTS OR BOLTS.) /

NE PAS SERRER LES BOULONS JUSQU'À CE QUE LE MONTAGE SOIT COMPLET. ~~PRENNE~~

(2) KEEP ALL HARDWARE PARTS OUT OF REACH OF CHILDREN. / GARDER TOUTES LES PIÈCES HORS DE LA PORTE'E D'ENFANTS

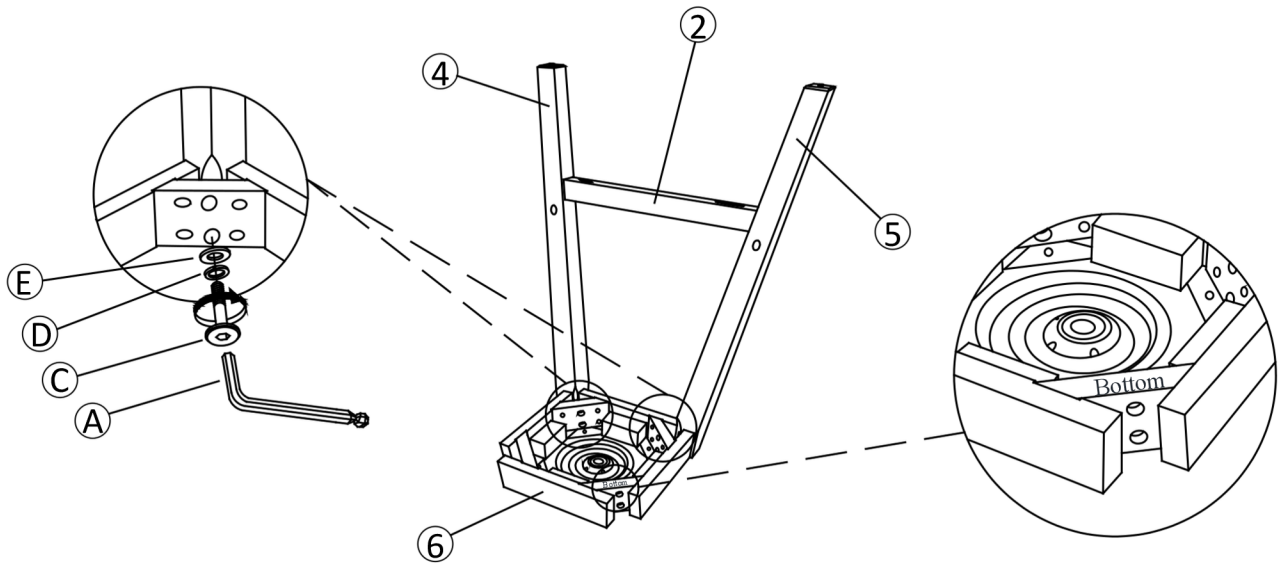
PARTS LIST / LISTE PIÈCES			
No	Sketch	Description	Quantity
1		Chair Back/ Dossier De Chaise	1PC
2		Long Stretcher/ Brancard Longue	2PCS
3		Short Stretcher/ Brancard Court	2PCS
4		LSF Leg/ Pied Gauche	2PCS
5		RSF Leg/ Pied Droite	2PCS
6		Swivel Seat Set/ Ensemble Siège Pivotant	1PC

HARDWARE LIST / LISTE DE QUINCAILLERIE				
No	Description	Size	Sketch	Quantity
A	AllenKey			1 PC
B	Clé Allen	M4 x 100mm		1 PC
C	JCBC bolt / JCBC boulon	M6 x 20mm		4 PCS
D	JCBC bolt / Spring washer	M6 x 70mm		8 PCS
E	Rondelle d'arrêt / Flat washer	M6 x 19 x 2mm M6 x 19 x 2mm		12 PCS
F	Rondelle Plate Wood Screw	M4 x 38mm		8 PCS

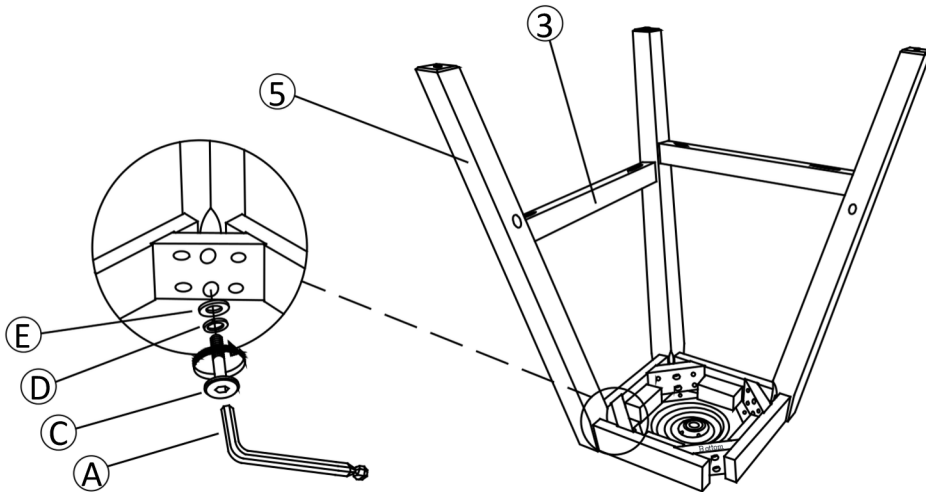
* Above hardware are packed in 5602-24BK/5602-24WT for assembly

* SCREWDRIVER (NOT PROVIDED) 

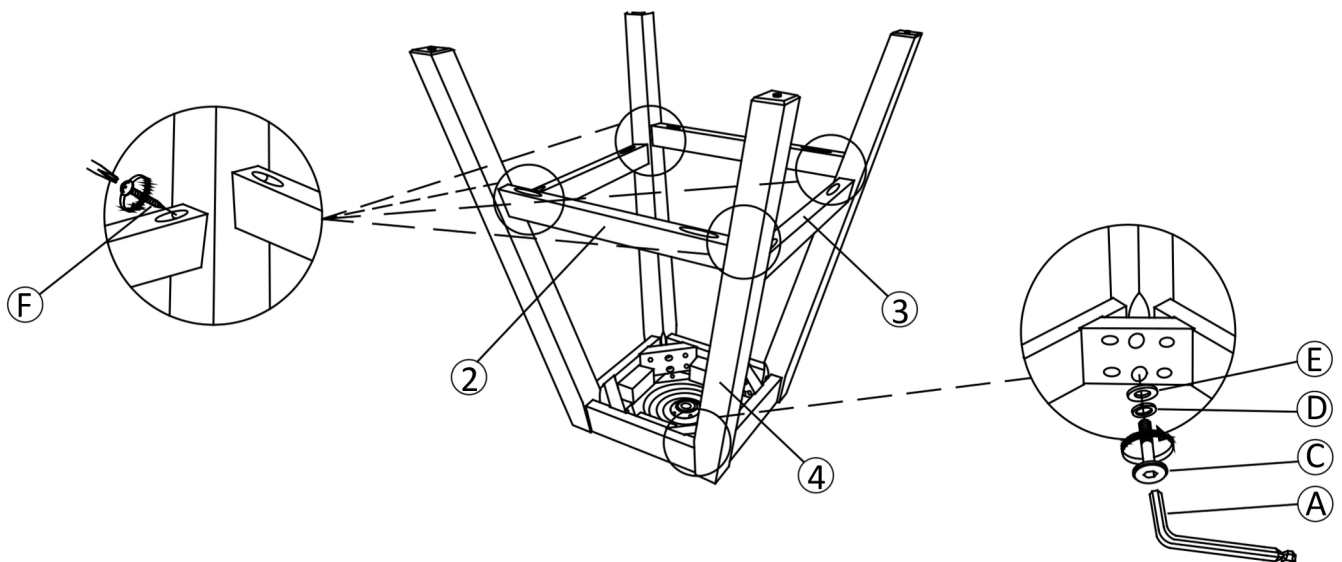
STEP 1 / ÉTAPE 1



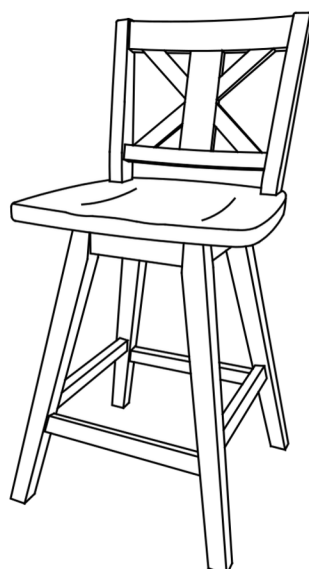
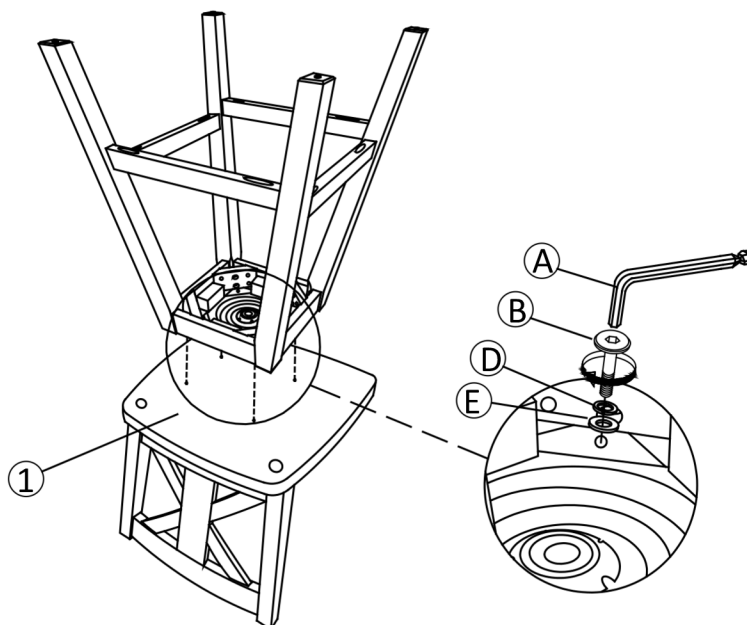
STEP 2 / ÉTAPE 2



STEP 3 / ÉTAPE 3



STEP 4 / ÉTAPE 4



**Completed Assembly/
Assemblee Completee**