

ASSEMBLY INSTRUCTIONS



! WARNING: To avoid serious personal injury:

- Carefully and strictly follow assembly instructions. Improper assembly of furniture can result in structural failure, instability of the product, or tip-over.
- Monitor and carefully control the assembly components. These include small parts and hardware that may present a choking hazard to small children. Bob's furniture should be assembled only by responsible adults and children should not be involved in the assembly process.
- Where provided, wall mounting hardware should always be used as prescribed in these instructions to anchor furniture to wall. Proper use of the wall mounting hardware can significantly reduce the potential for furniture tip-over and crushing injuries.

1



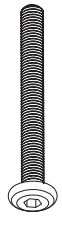
X8

2



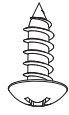
X8

3



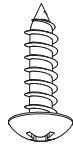
X2

4



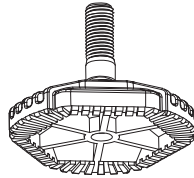
X2

5



X8

6



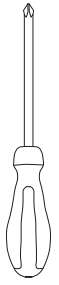
X4

7



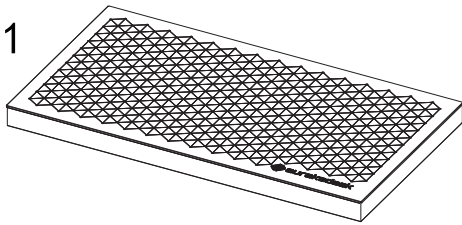
X1

8



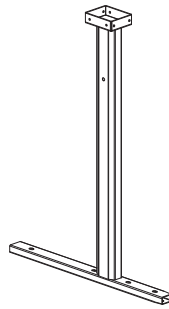
X1

P1



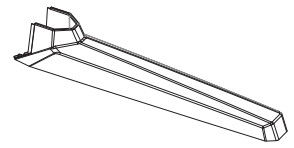
X1

P2



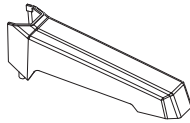
X2

P3



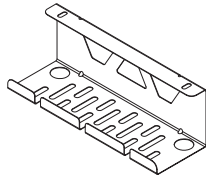
X2

P4



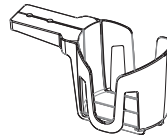
X2

P5



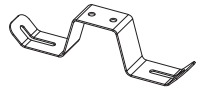
X1

P6



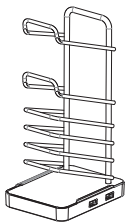
X1

P7



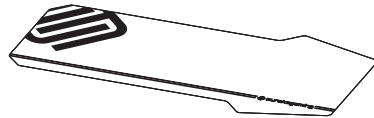
X1

P8



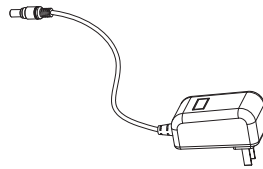
X1

P9



X1

P10



X1

P11



X2

P12



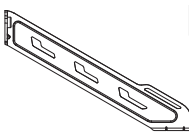
X1

P13



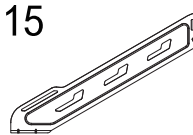
X4

P14



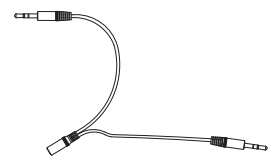
X1

P15



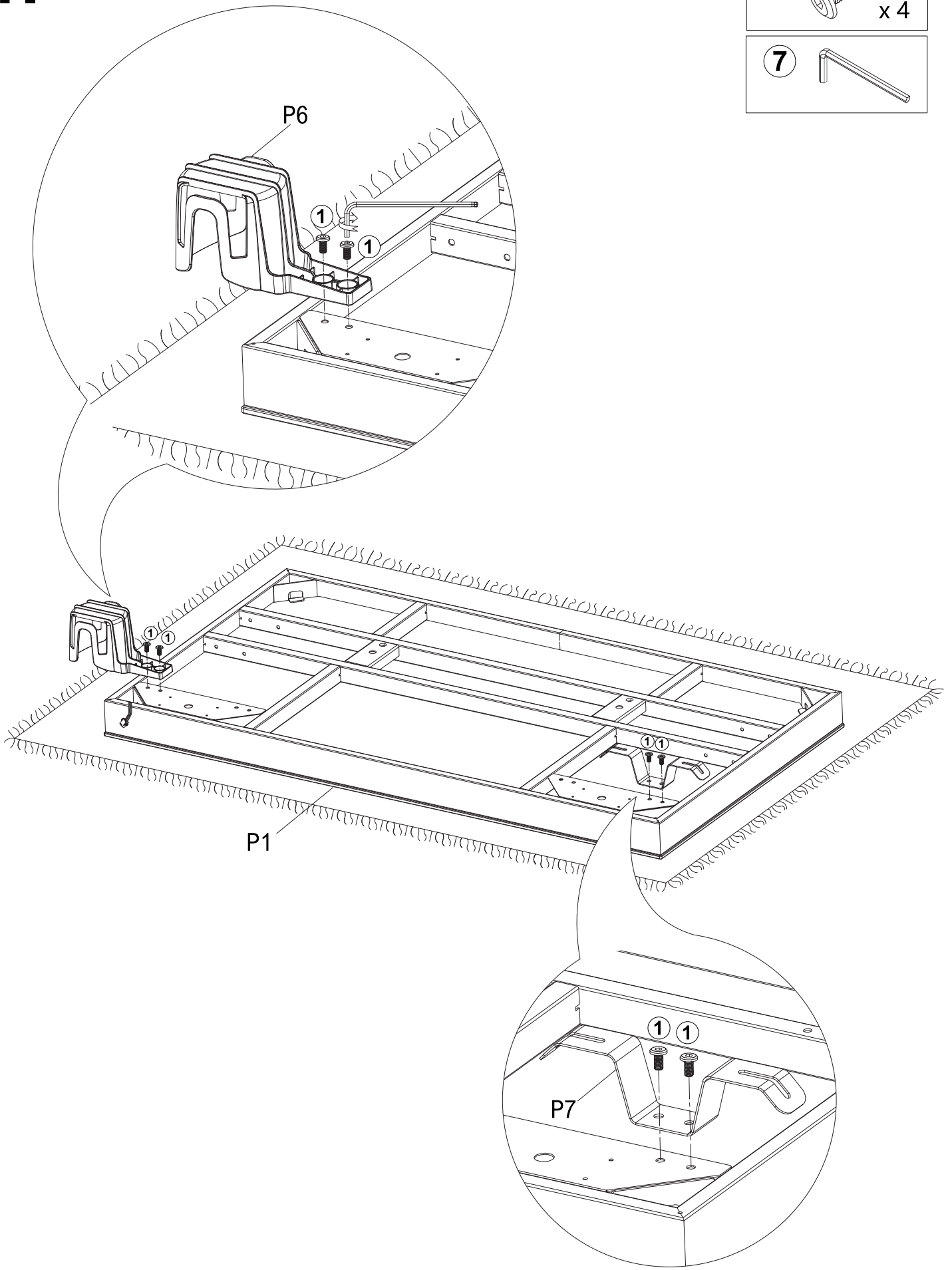
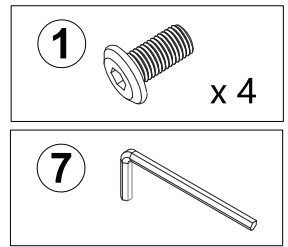
X1

P16

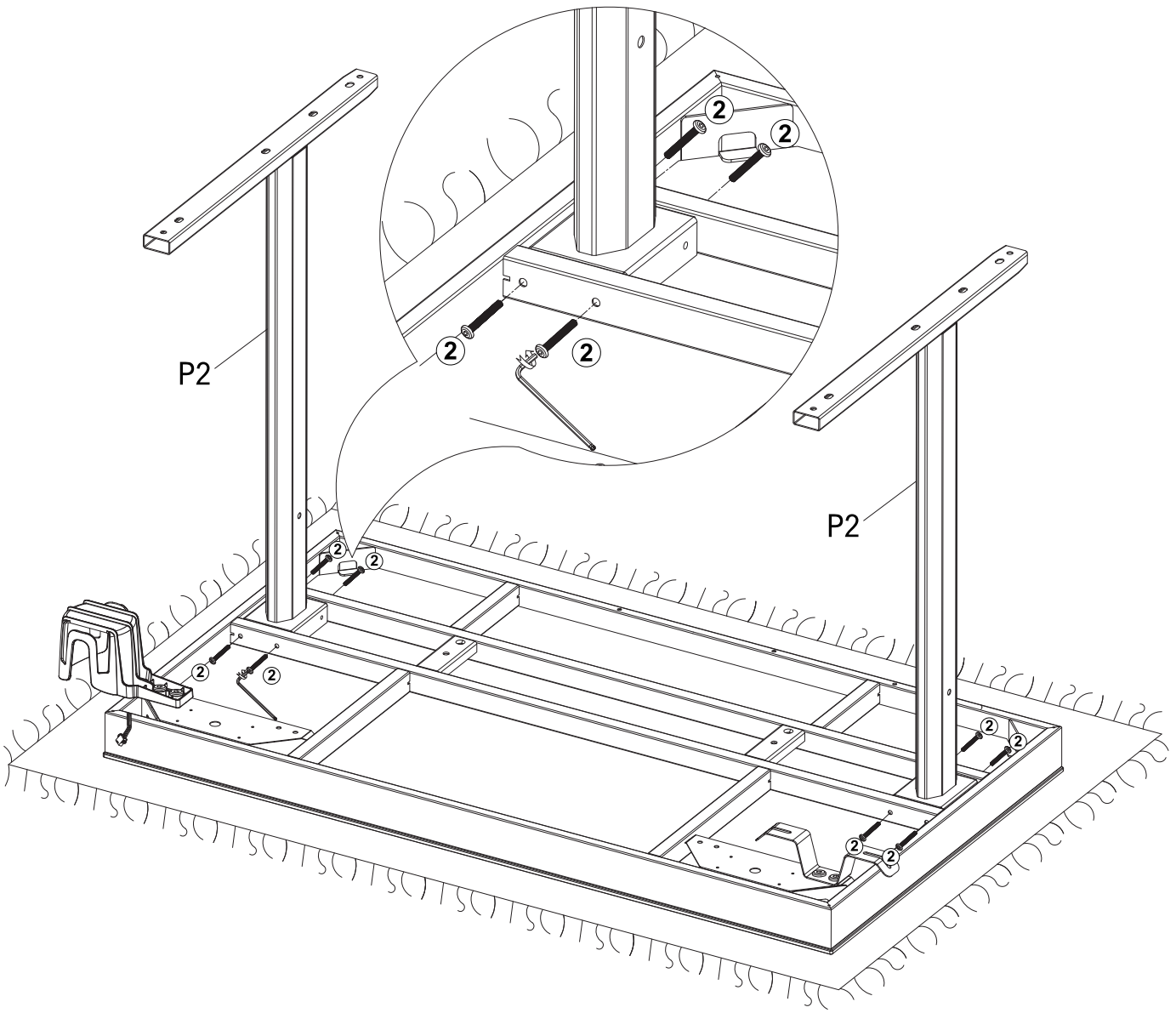
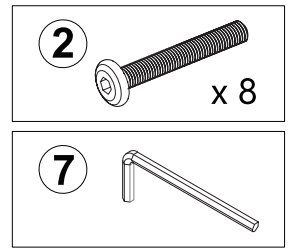


X1

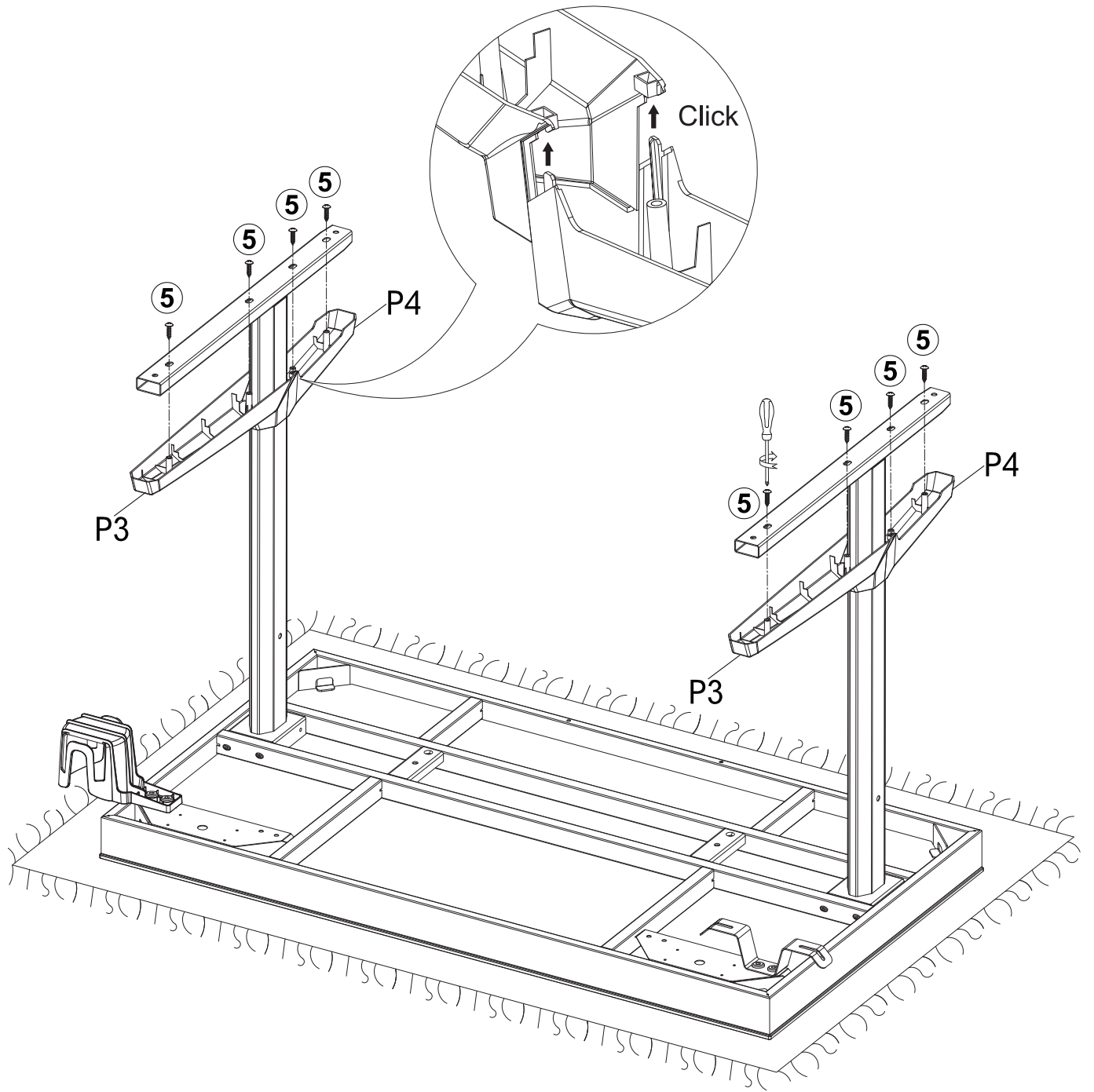
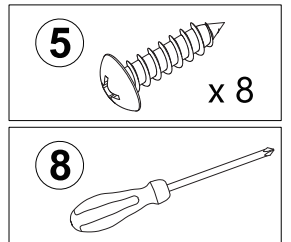
1.





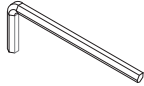
2.

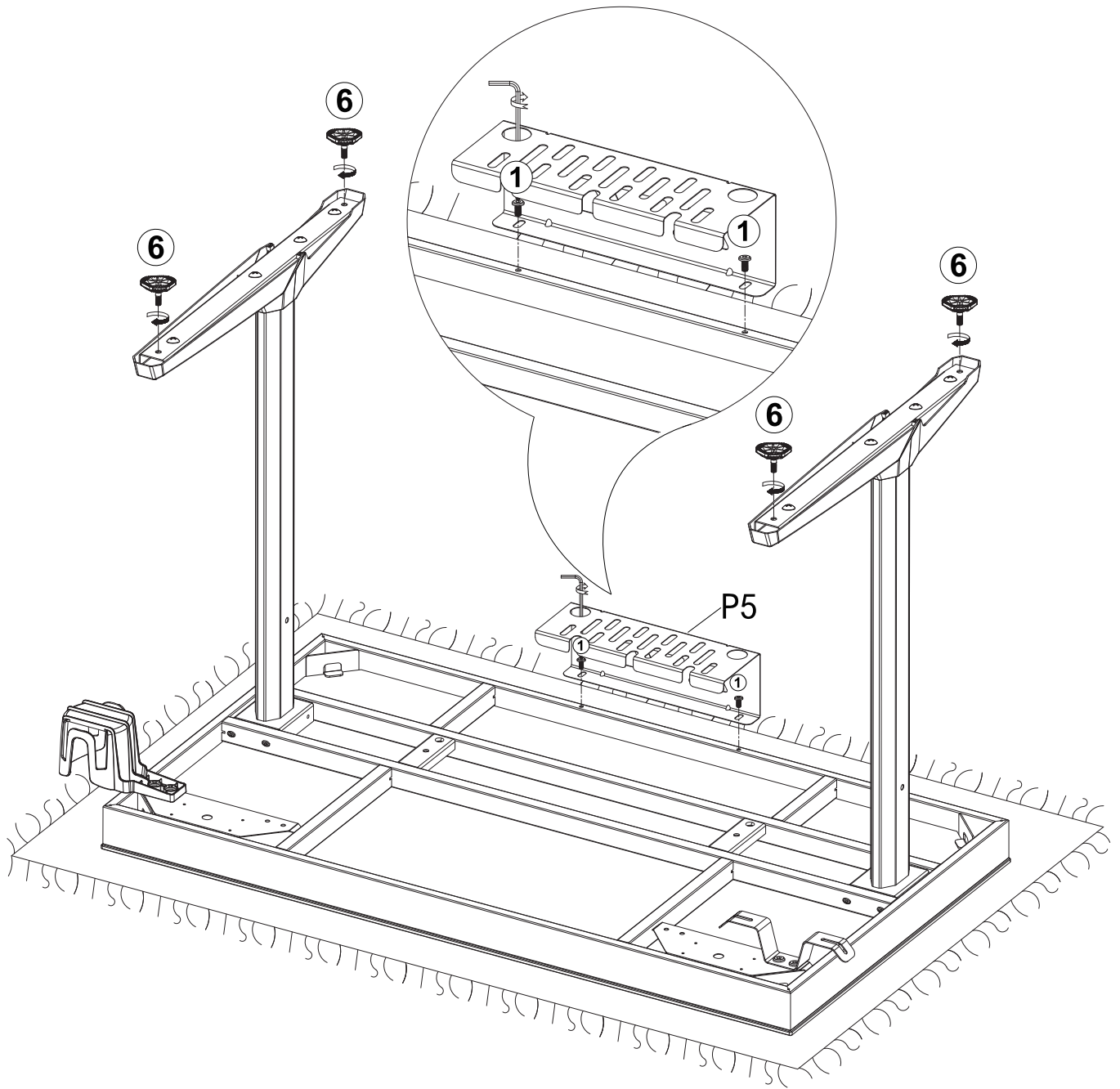


3.

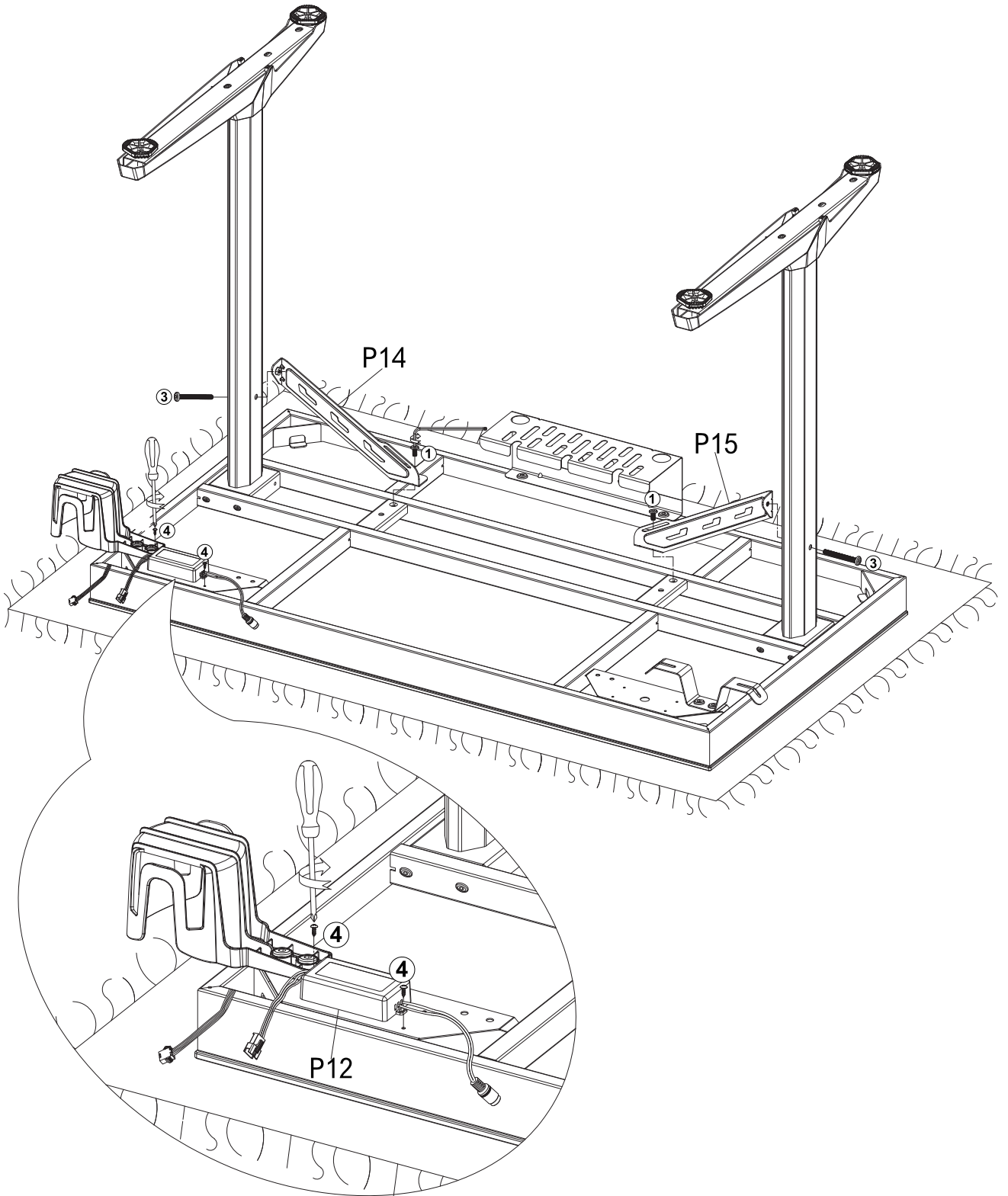
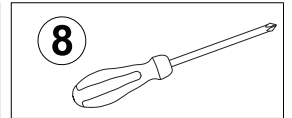
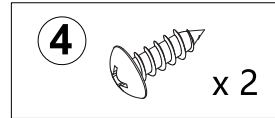
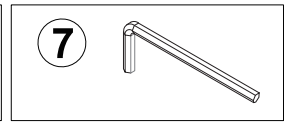
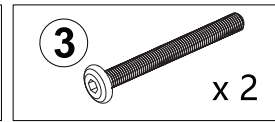
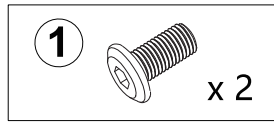


4.

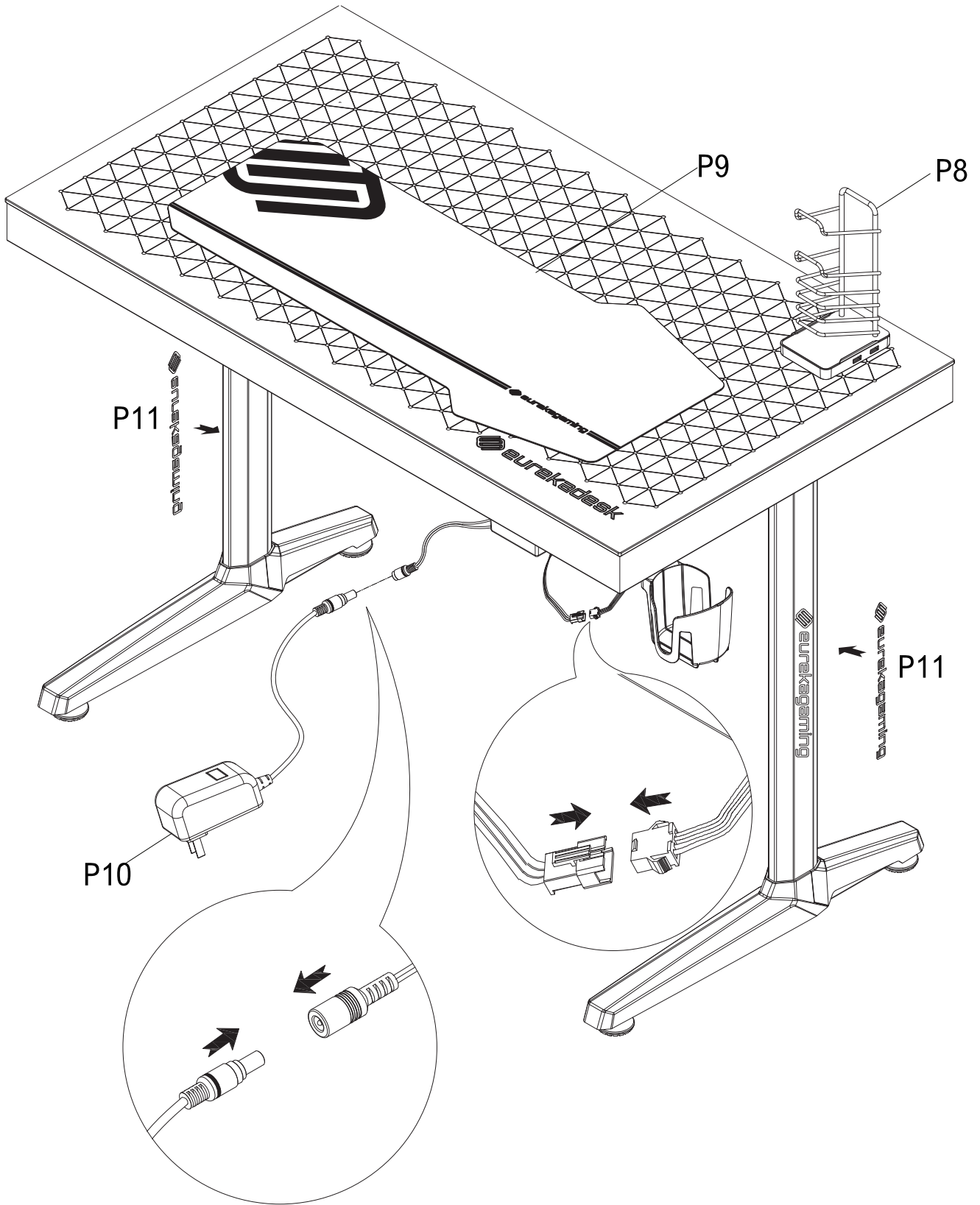
- | | | |
|---|---|-----|
| 1 |  | x 2 |
| 6 |  | x 4 |
| 7 |  | |



5.



6.



INTRODUCTION

The design of our e-sports product is particular about both style and comfort. In order to make our customer to enjoy the coolest light effect during the game, and to release the stress after the intensive gaming experience. we here represent to you the interactive effects of light and music. It breaks the barrier between sound and light, and reshapes music and light according to intelligent algorithms, showing 18 kinds of light strip music effects, 30 music following spectrum modes, and 180 kinds of conventional non-music pattern effect, let the customer immerse in it, and feel extreme relaxed!

FEATURES:

- User-friendly operation system: Remote control on the gaming desk by mobile App.
- There are 18 kinds of music effects, 30 kinds of music effects and 180 kinds of conventional non-music effects.
- Used setting saving.

DOWNLOAD AND INSTALL MOBILE APP:

- The controller, controlled by mobile app, is supported by both Android and IOS system.
- Iphones require IOS 10.0 or higher, Android phones require Android 4.4 or higher.
- You can find the App by searching “ LED Chord” in App Store, Google Play and application treasure. The download will also be available by scanning the QR Code on the controller (P11).

STEPS OF CONNECTING THE APP:

1. Turn on the Bluetooth on your phone or tablet, and open your targeting permission.
2. Open the app, drop down the list, you will find a device called “SP107E” and then click connection. You can long press the name of the device in the list and change it if necessary.
3. Set the RGB channel order and SK6812 model of the lamps according to the actual situation.
4. Set the number of pixel points of the lamp used to: segment number 1, number/segment 46, total number 46.
5. Click “Enter” to finish the setup.

SWITCHING THE AUDIO MODE:

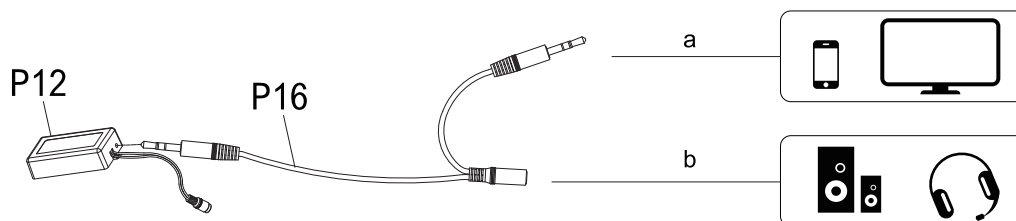
(Note: Y Adapter is the AUX line that has 1 Female Stereo TRS Plug to 2 Male Stereo Splitter Cable.)

a. Use the AUX Mode:

While you plug in the Y Adapter , It will automatically switch to the AUX mode.

b. Use the Microphone Mode:

While the Y Adapter is not plug in, it will automatically switch to the Microphone Mode.



TECHNOLOGY PARAMETERS:

Operating Temperature	Operating Voltage	Working Current	Remote -Controlling Distance
-20°C~60°C	DC5V	18MA~45MA	20M