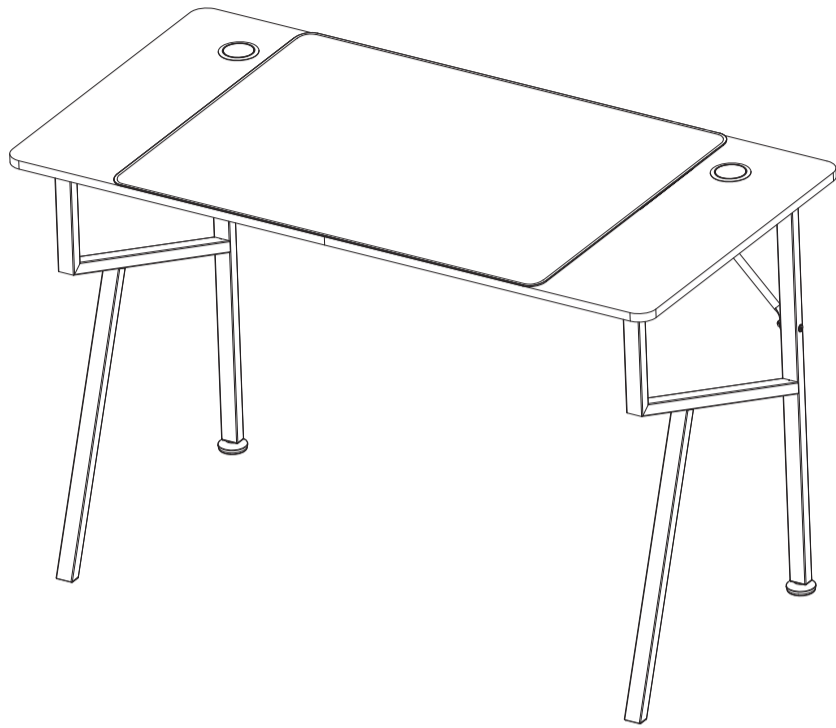


ASSEMBLY INSTRUCTIONS



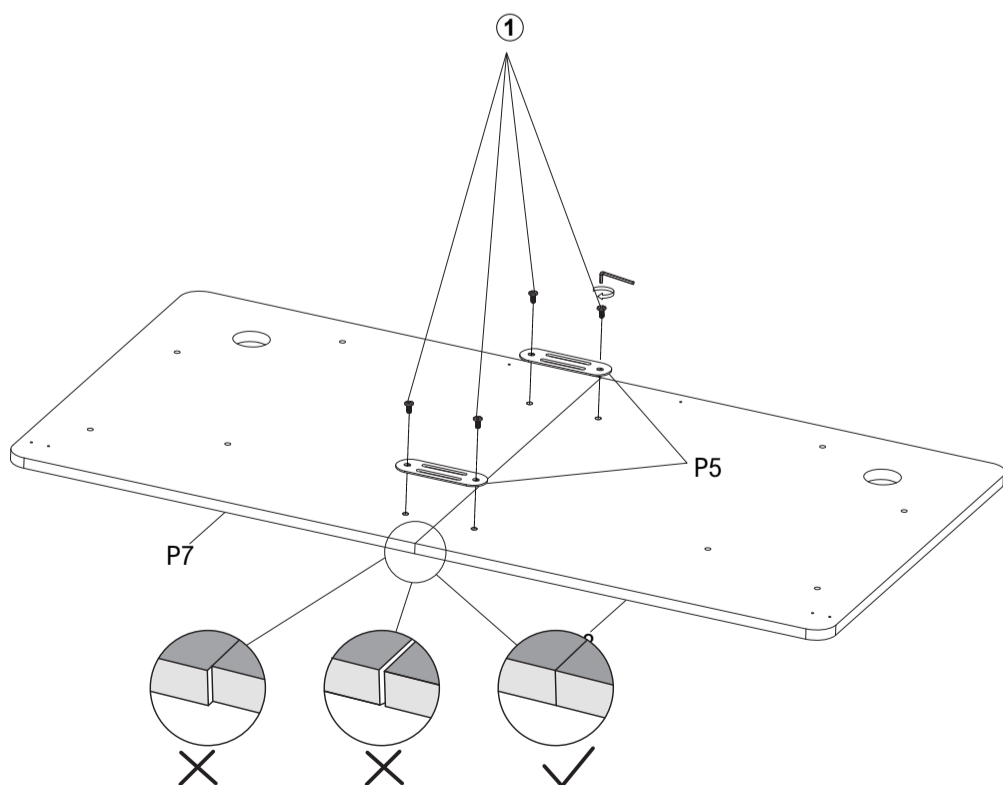
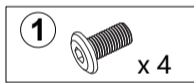
⚠ WARNING: To avoid serious personal injury:

- Carefully and strictly follow assembly instructions. Improper assembly of furniture can result in structural failure, instability of the product, or tip-over.
- Monitor and carefully control the assembly components. These include small parts and hardware that may present a choking hazard to small children. Bob's furniture should be assembled only by responsible adults and children should not be involved in the assembly process.
- Where provided, wall mounting hardware should always be used as prescribed in these instructions to anchor furniture to wall. Proper use of the wall mounting hardware can significantly reduce the potential for furniture tip-over and crushing injuries.

COMPONENT

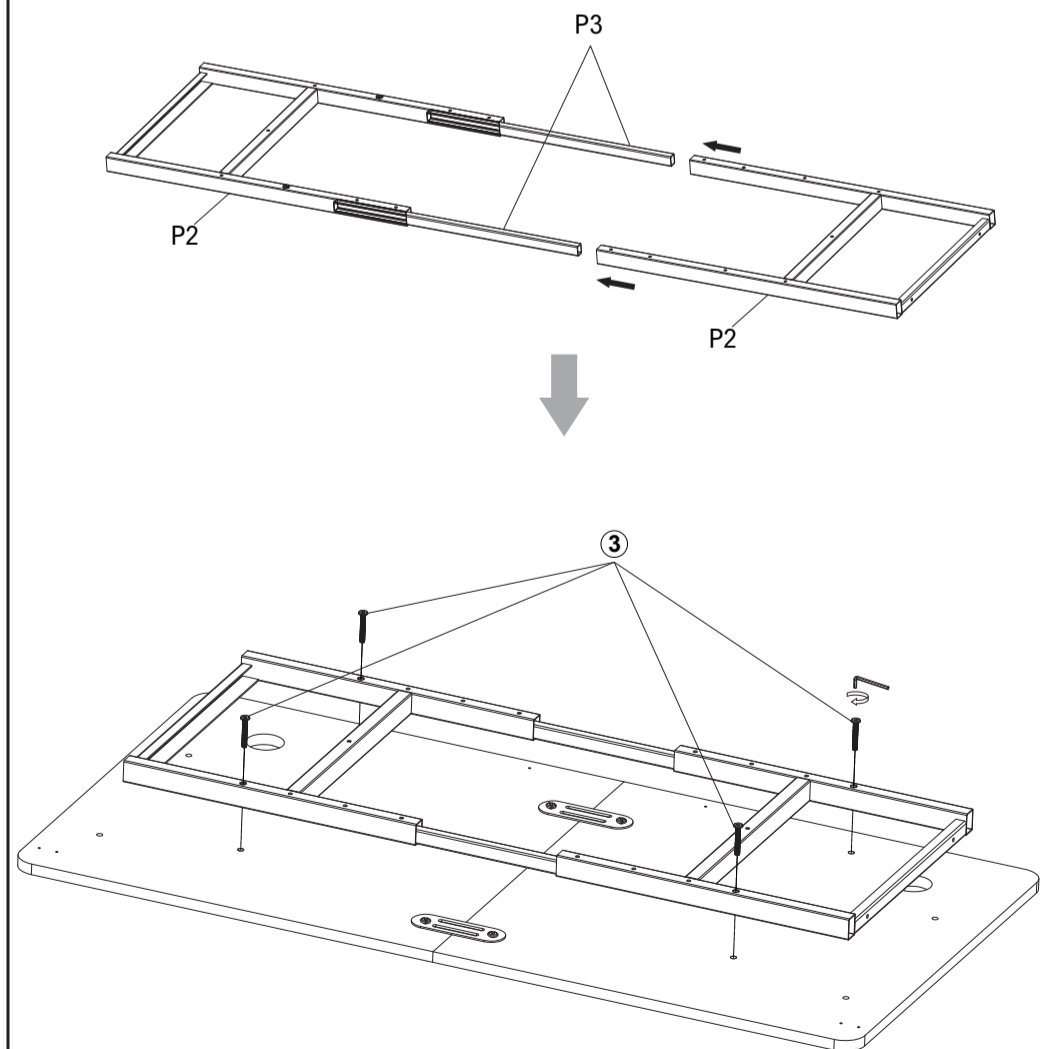
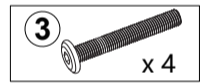
①	②	③	④	⑤	⑥	⑦	⑧	⑨
X14	X4	X10	X2	X2	X2	X1	X1	X1
P1	P2	P3	P4	P5	P6	P7	P8	P9
X2	X2	X2	X1	X2	X2	X1	X1	(Mousepad) X1
P10	P11	P12	P13					
X4	X2	X2	(Stickers) X1					

1



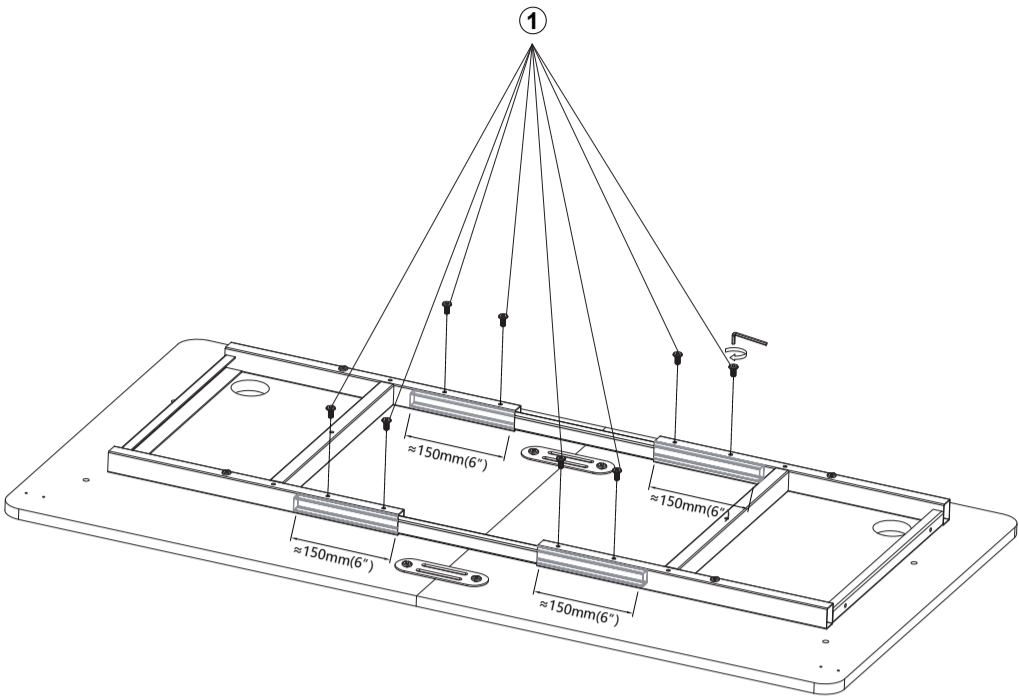
⚠ Before tightening the screws, you must ensure that the two desktop pieces are aligned and flush against each other.

2



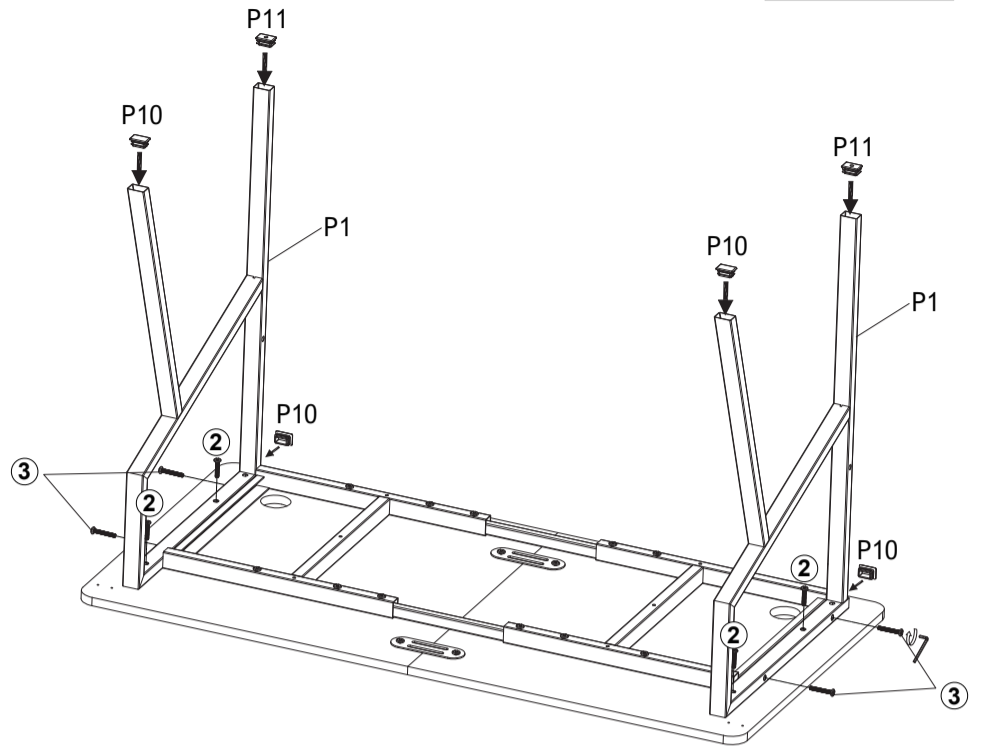
3

- ① x 8



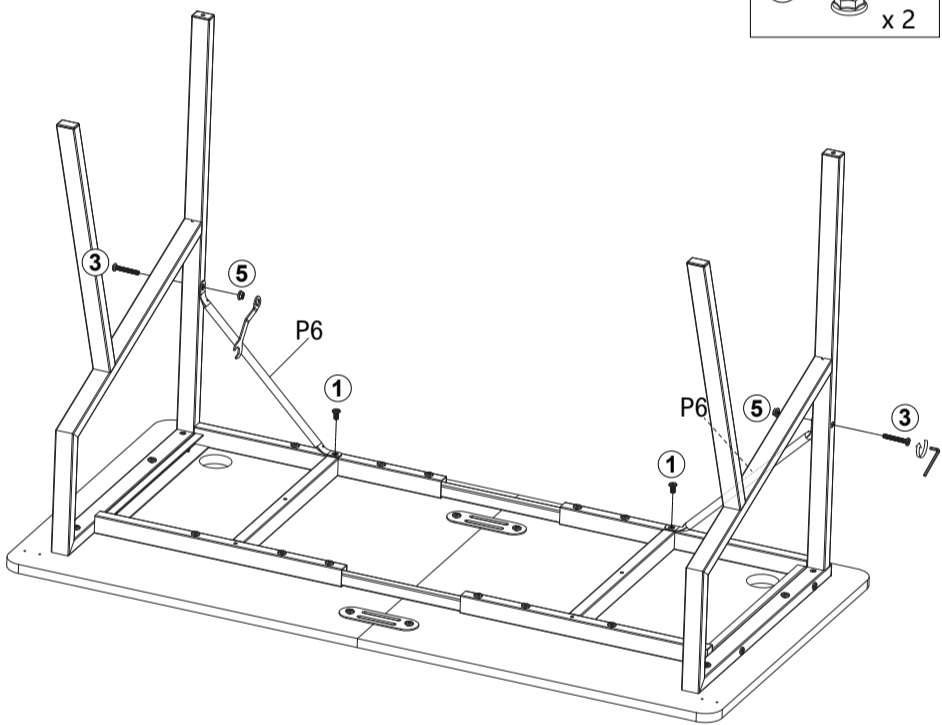
4

- ② x 4
- ③ x 4



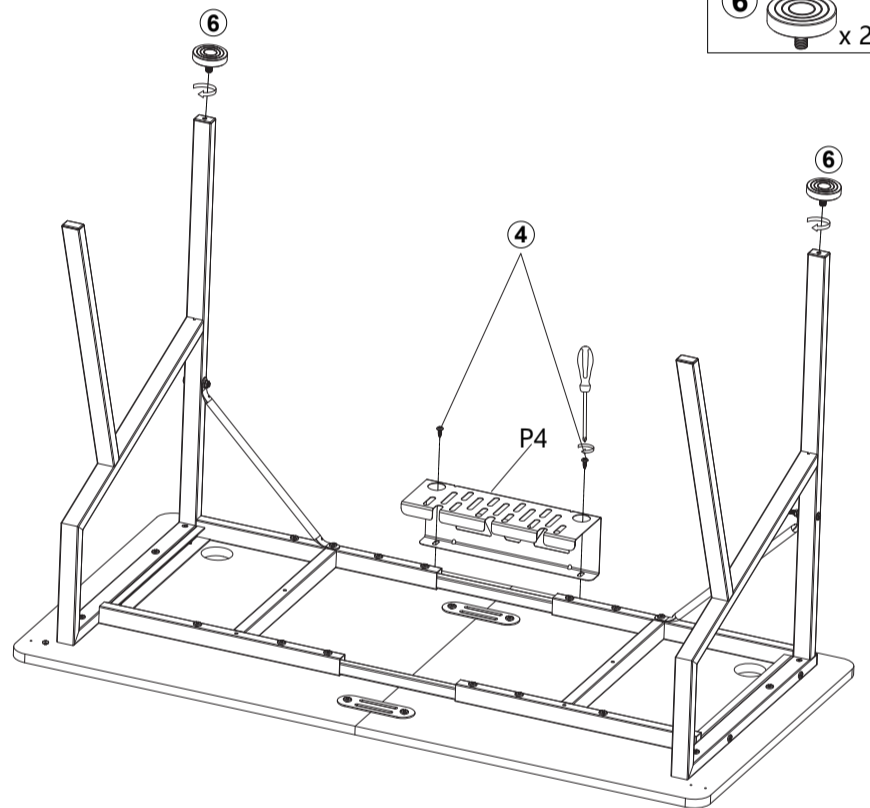
5

- ① x 2
- ③ x 2
- ⑤ x 2

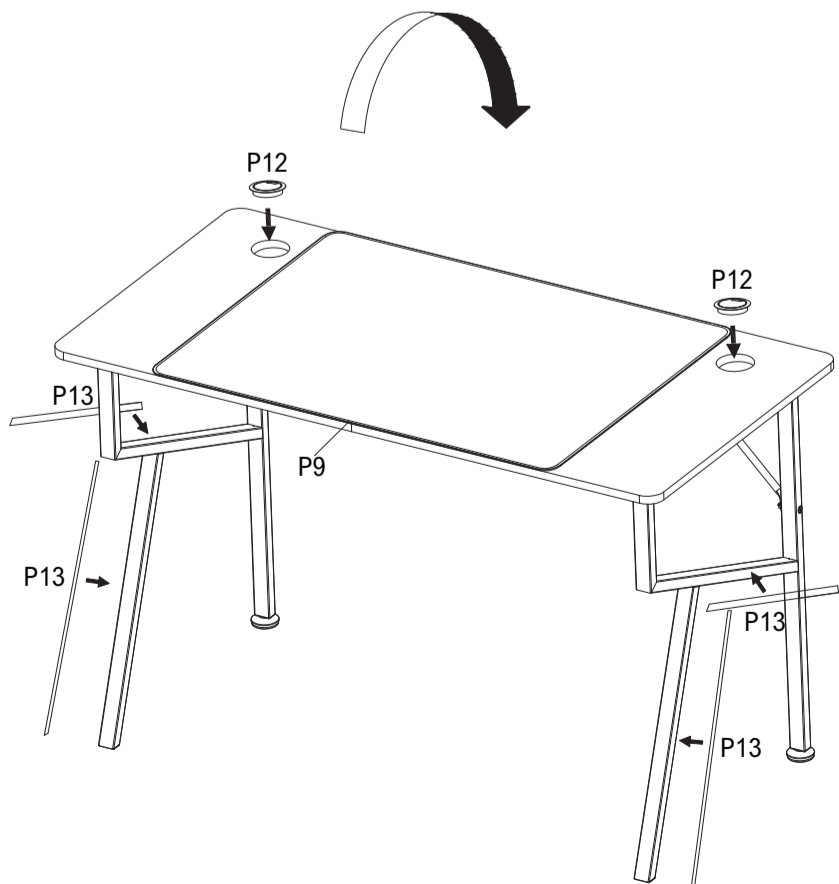


6

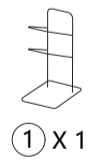
- ④ x 2
- ⑥ x 2



7



ACCESSORY



① X 1



② X 1



③ X 1



④ X 4

