


ASSEMBLY INSTRUCTIONS



Fine Furniture for every stage of life

101920
Bar Stool

REVISION 0 : 08/19/2010
REVISION 1 : 11/18/2011
REVISION 2 : 11/09/2016
REVISION 3 : 09/26/2018
REVISION 4 : 01/31/2019
REVISION 5 : 05/31/2019

 **WARNING: To avoid serious personal injury:**

- Carefully and strictly follow assembly instructions. Improper assembly of furniture can result in structural failure, instability of the product, or tip-over.
- Monitor and carefully control the assembly components. These include small parts and hardware that may present a choking hazard to small children. Bob's furniture should be assembled only by responsible adults and children should not be involved in the assembly process.
- Where provided, wall mounting hardware should always be used as prescribed in these instructions to anchor furniture to wall. Proper use of the wall mounting hardware can significantly reduce the potential for furniture tip-over and crushing injuries.

ITEM:101920

ASSEMBLY INSTRUCTIONS

ASSEMBLY TIPS:

1. Remove hardware from box and sort by size.
2. Please check to see that all hardware and parts are present prior to start of assembly.
3. Please follow attached instructions in the same sequence as numbered to assure fast & easy assembly.



WARNING!






1. Don't attempt to repair or modify parts that are broken or defective. Please contact the store immediately.
2. This product is for home use only and not intended for commercial establishments.








ASSEMBLY TIME

10 MINUTES

PARTS IDENTIFICATION

AF	LEG		4PCS
B	FOOTREST		1PC
C	SWIVEL PLATE WITH FRAME		1PC
D	SEAT CUSHION WITH FRAME		1PC
E	BACKREST		1PC

HARDWARE IDENTIFICATION

1	SHORT BOLT ($\Phi 1/4$ " x 1" - BLK)		4PCS
2	LONG BOLT ($\Phi 1/4$ " x 1-4.5/8" - BLK)		14PCS
3	LOCK WASHER ($\Phi 1/4$ " - BLK)		14PCS
4	FLAT WASHER ($\Phi 1/4$ " - BLK)		14PCS
5	ALLEN WRENCH (4MM - BLK)		1PC

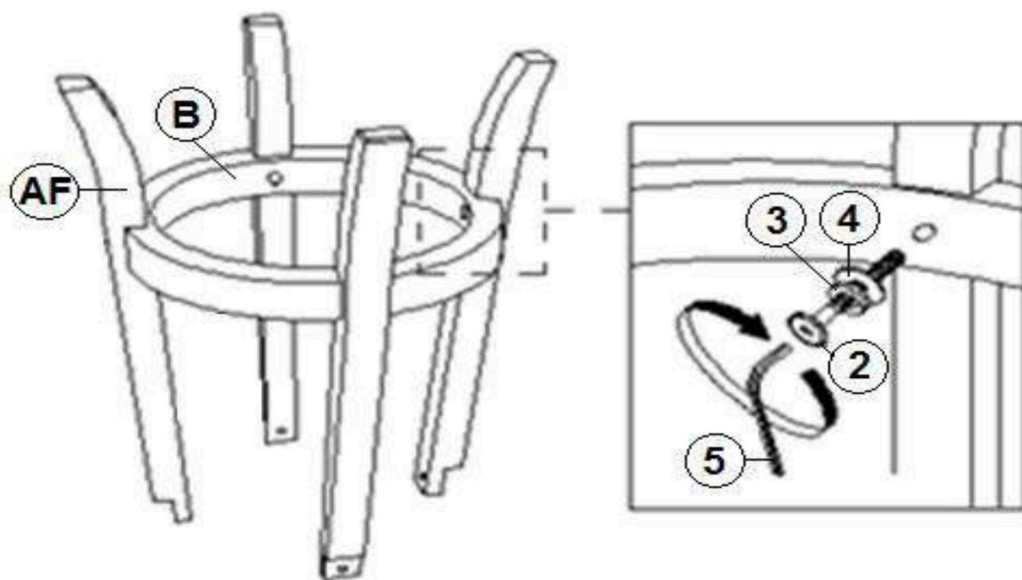
NOTE:

Quantities shown are for one stool.

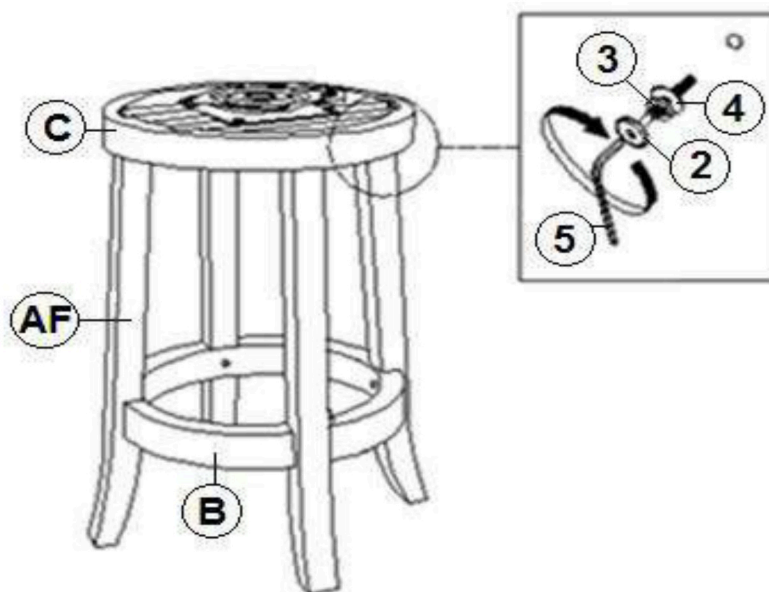
ITEM: **101920**

ASSEMBLY INSTRUCTIONS

STEP 1



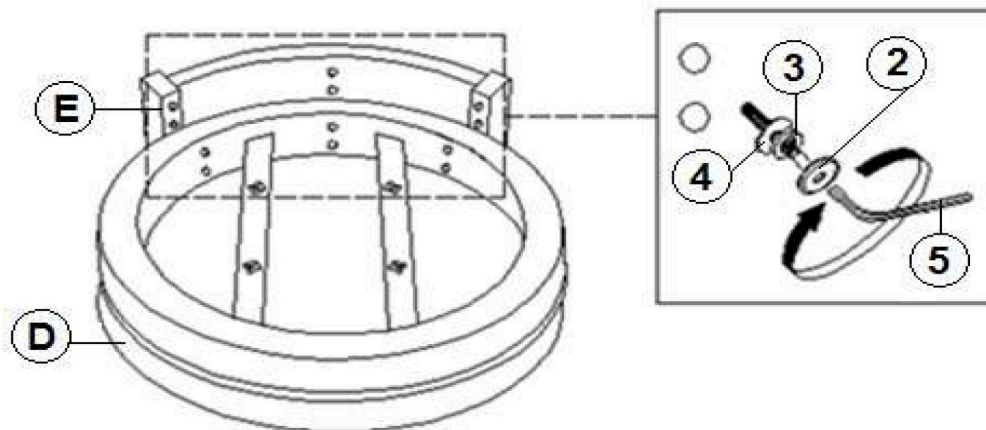
STEP 2



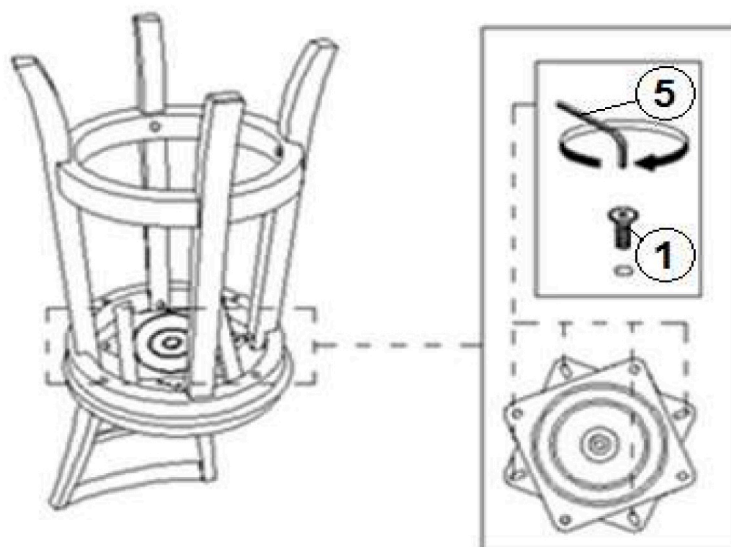
ITEM: **101920**

ASSEMBLY INSTRUCTIONS

STEP 3



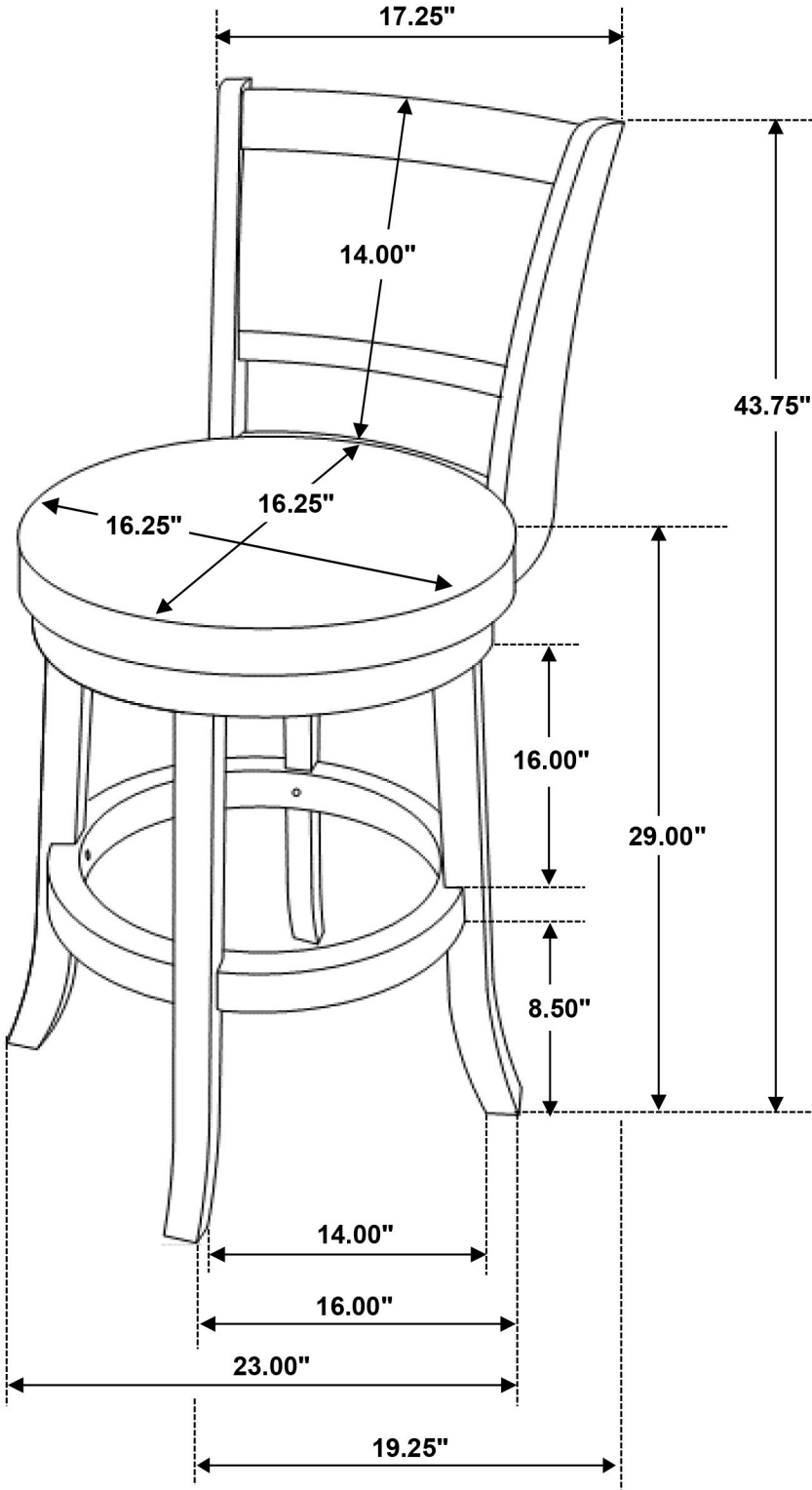
STEP 4



STEP 5
COMPLETE



ITEM: **101920**



Note: Dimension tolerance $\pm 5\%$