

ASSEMBLY INSTRUCTIONS



Fine Furniture for every stage of life

910321
STORAGE BENCH

 **WARNING: To avoid serious personal injury:**

- Carefully and strictly follow assembly instructions. Improper assembly of furniture can result in structural failure, instability of the product, or tip-over.
- Monitor and carefully control the assembly components. These include small parts and hardware that may present a choking hazard to small children. Bob's furniture should be assembled only by responsible adults and children should not be involved in the assembly process.
- Where provided, wall mounting hardware should always be used as prescribed in these instructions to anchor furniture to wall. Proper use of the wall mounting hardware can significantly reduce the potential for furniture tip-over and crushing injuries.

ITEM: 910321

ASSEMBLY INSTRUCTIONS

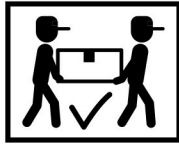
ASSEMBLY TIPS:

1. Remove hardware from box and sort by size.
2. Please check to see that all hardware and parts are present prior to start of assembly.
3. Please follow attached instructions in the same sequence as numbered to assure fast & easy assembly.



WARNING!

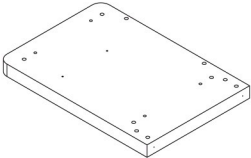
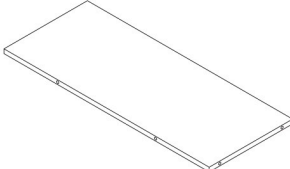
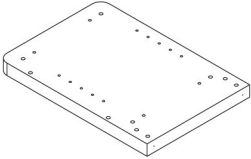
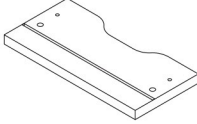
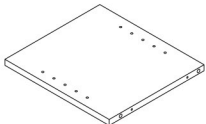
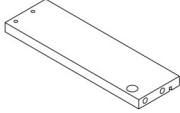
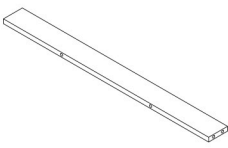
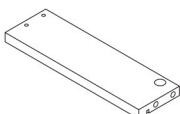
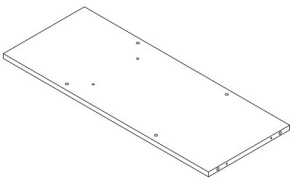
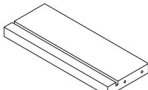
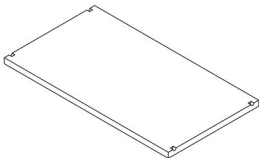
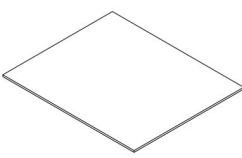
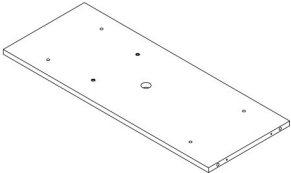
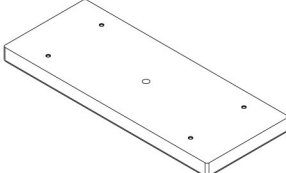
1. Don't attempt to repair or modify parts that are broken or defective. Please contact the store immediately.
2. This product is for home use only and not intended for commercial establishments.



ASSEMBLY TIME

60 MINUTES

PARTS IDENTIFICATION

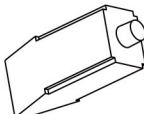
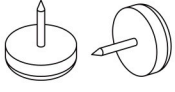
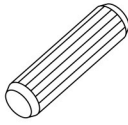

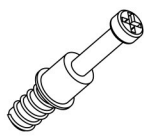
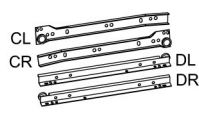




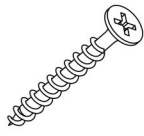
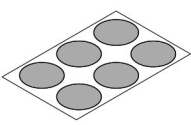
A	LEFT SIDE PANEL		1 PC	H	BACK PANEL		1 PC
B	RIGHT SIDE PANEL		1 PC	I	DRAWER FRONT PANEL		1 PC
C	MIDDLE DIVIDER PANEL		1 PC	J	DRAWER BACK PANEL		1 PC
D	CROSS BRACE		2 PCS	K	DRAWER LEFT SIDE PANEL		1 PC
E	BOTTOM PANEL		1 PC	L	DRAWER RIGHT SIDE PANEL		1 PC
F	ADJUSTABLE SHELF		1 PC	M	DRAWER BOTTOM PANEL		1 PC
G	TOP PANEL		1 PC	N	SEAT CUSHION		1 PC

NOTE:

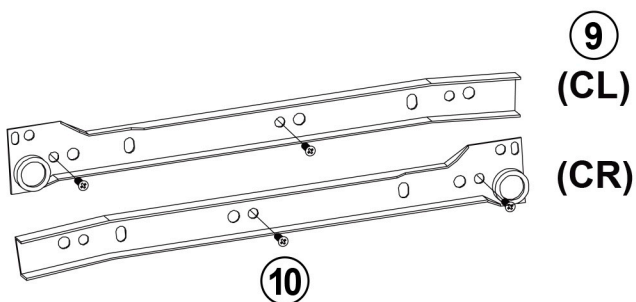
Phillips head screw driver is required in the assembly process; however, manufacturer does not provide this item.

ITEM: 910321

HARDWARE IDENTIFICATION

Z							
NO	DESCRIPTION	FIGURE	Q'TY	NO	DESCRIPTION	FIGURE	Q'TY
1	GLUE 40g		1 PC	7	PLASTIC FEET Ø15m		4 PCS
2	WOODEN DOWEL Ø8x30mm		34 PCS	8	PIN FOR ADJUSTABLE SHELF Ø4.9 x 15mm SR		4 PCS
3	CAM BOLT Ø7x35.5mm SR		2 PCS	9	GLIDES L = 250mm		1 SET
4	CAM LOCK Ø15x12mm SR		2 PCS	10	SCREW FOR HINGE Ø 3x12mm BLK		10 PCS
5	LONG SCREW Ø 4.5x42mm SR		12 PCS	11	BOLT M6x25mm BLK		4 PCS
6	SCREW Ø 4.3x35mm SR		4 PCS	12	STICKER Ø20mm		1 PC

Z9 not included in blister packaging.

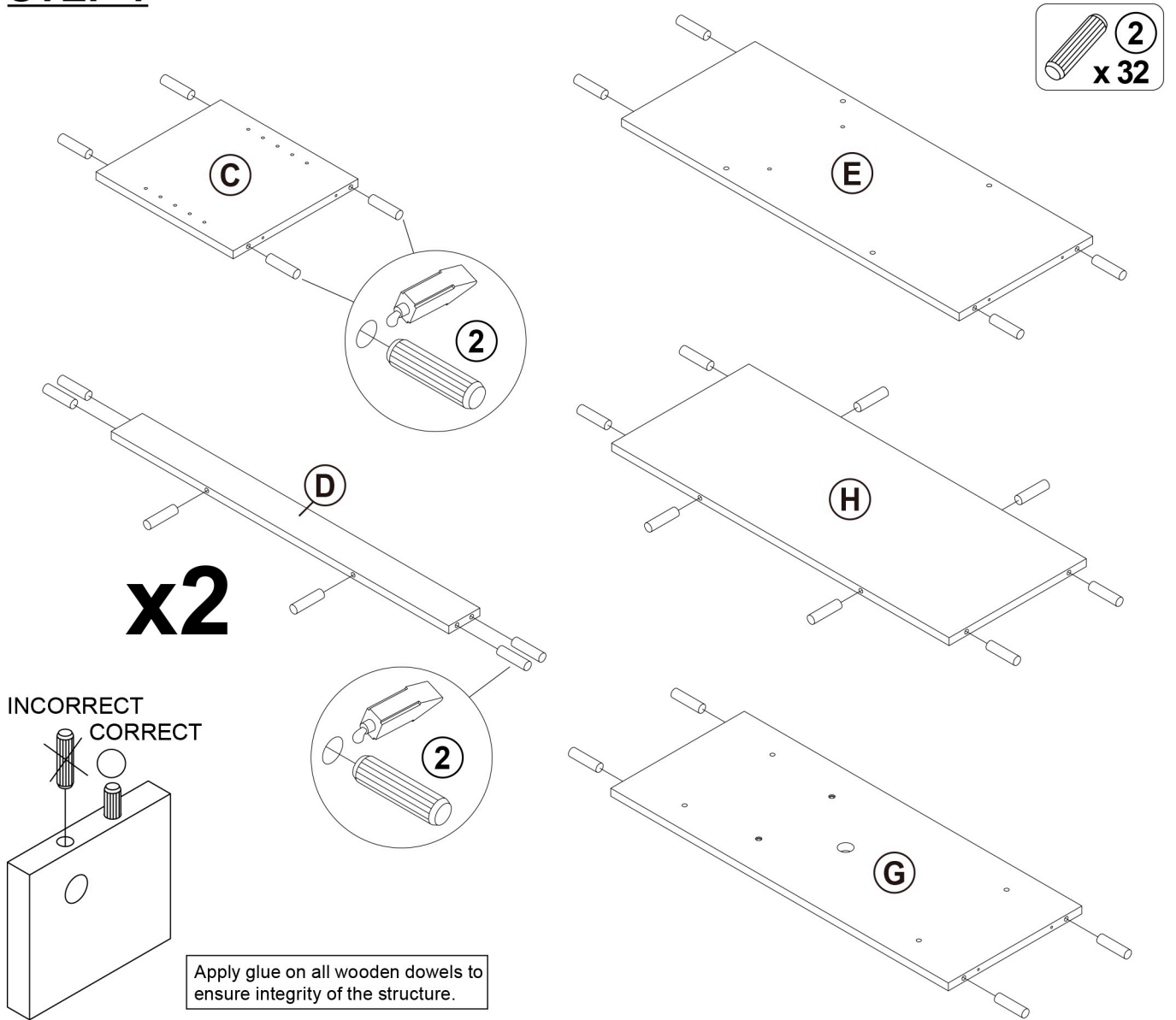


NOTE:

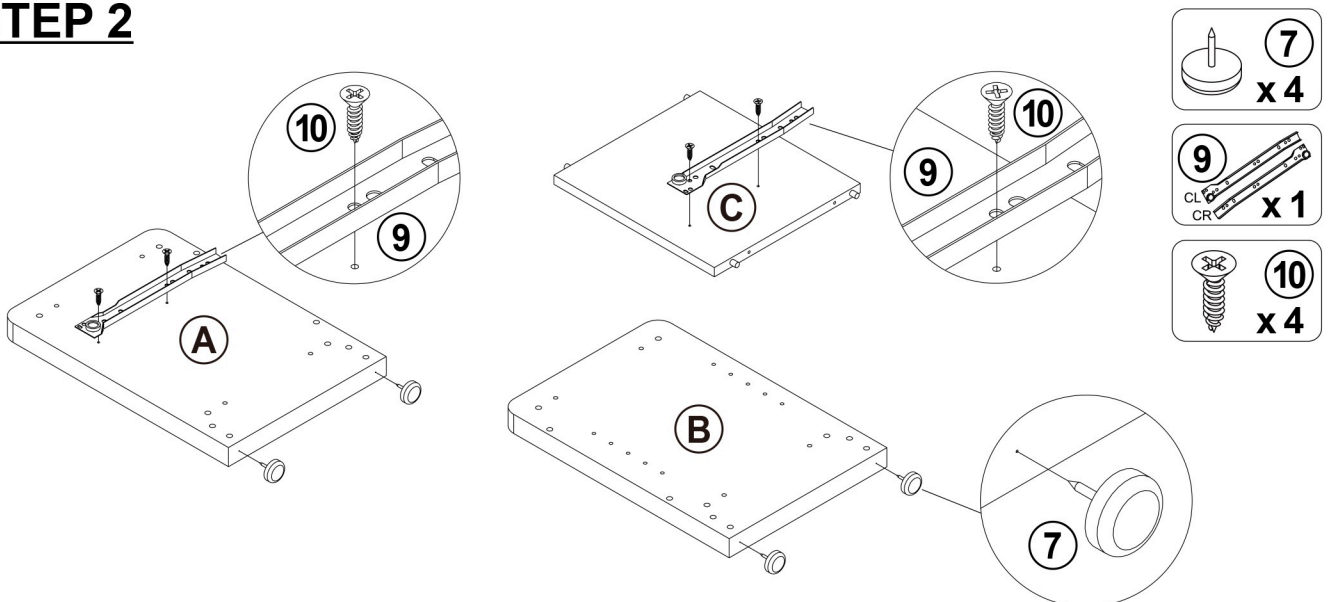
Phillips head screw driver is required in the assembly process; however, manufacturer does not provide this item.

ITEM: 910321

STEP 1

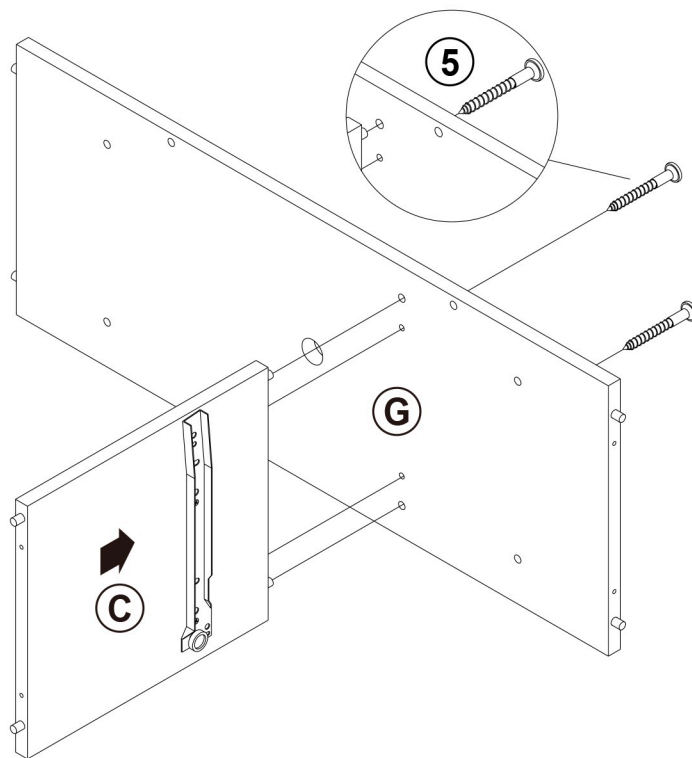


STEP 2

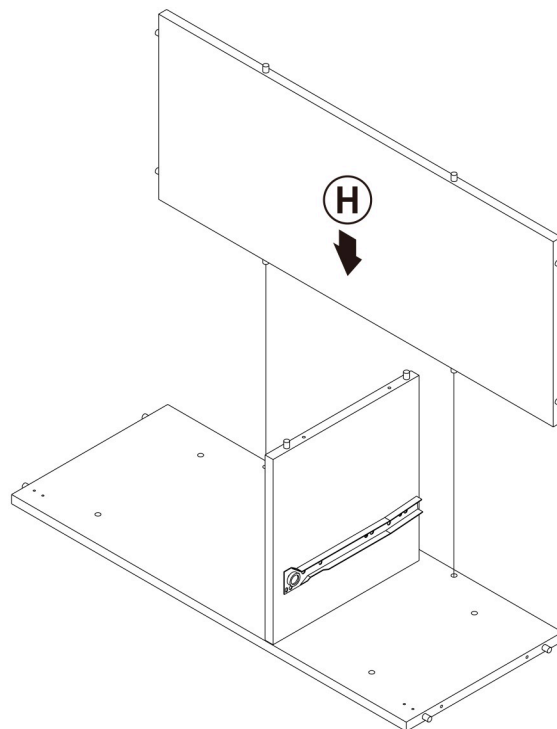


ITEM: **910321**

STEP 3

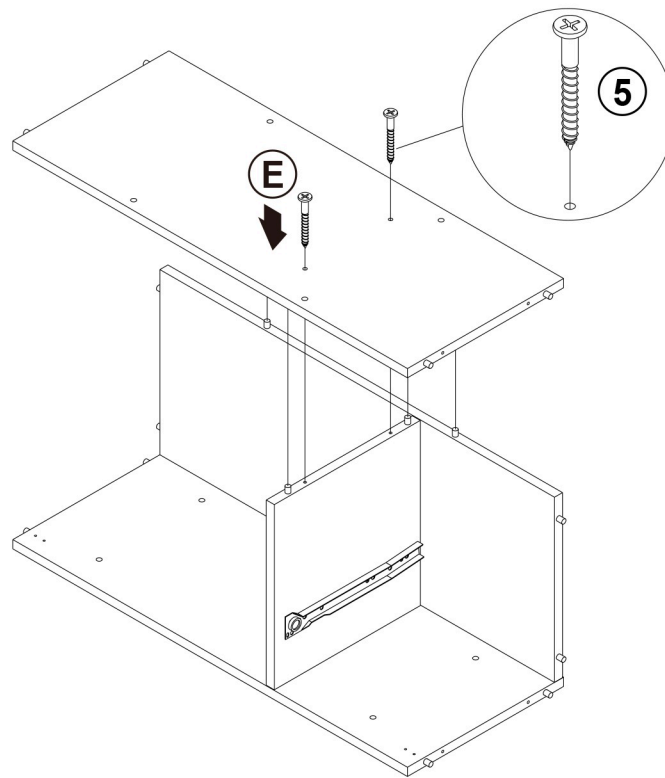
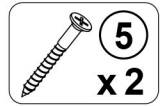


STEP 4

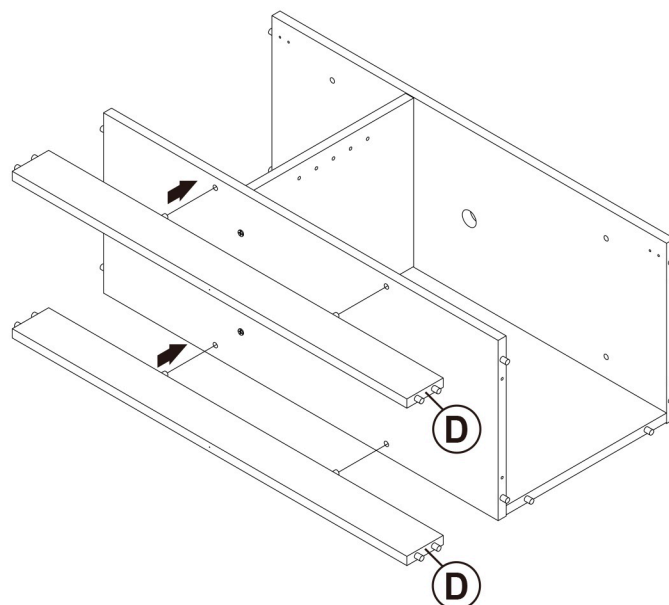


ITEM: **910321**

STEP 5

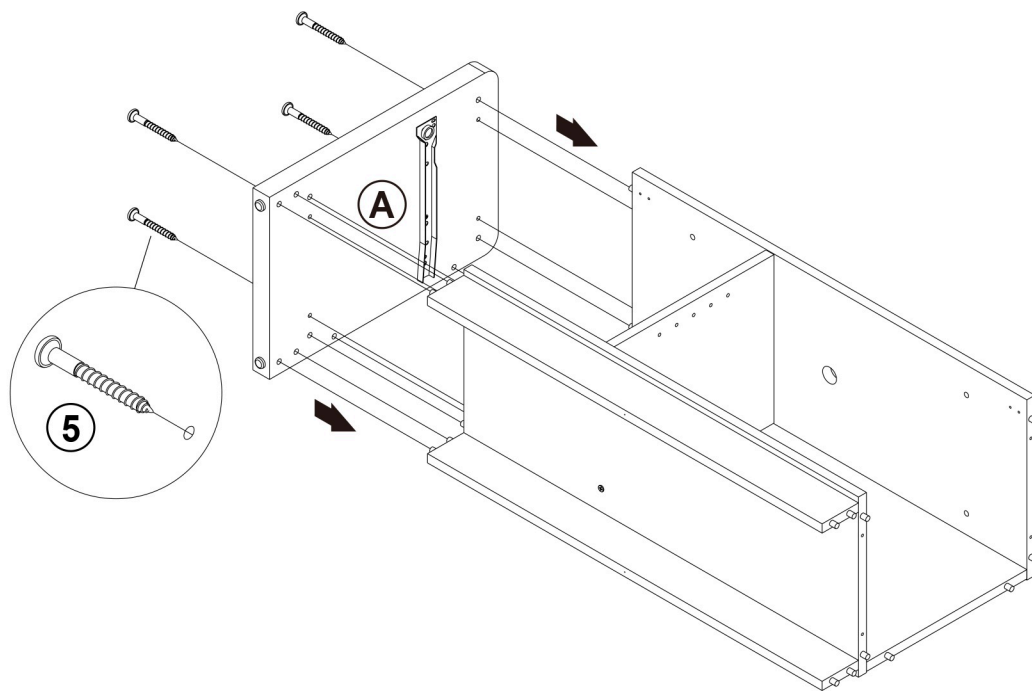


STEP 6

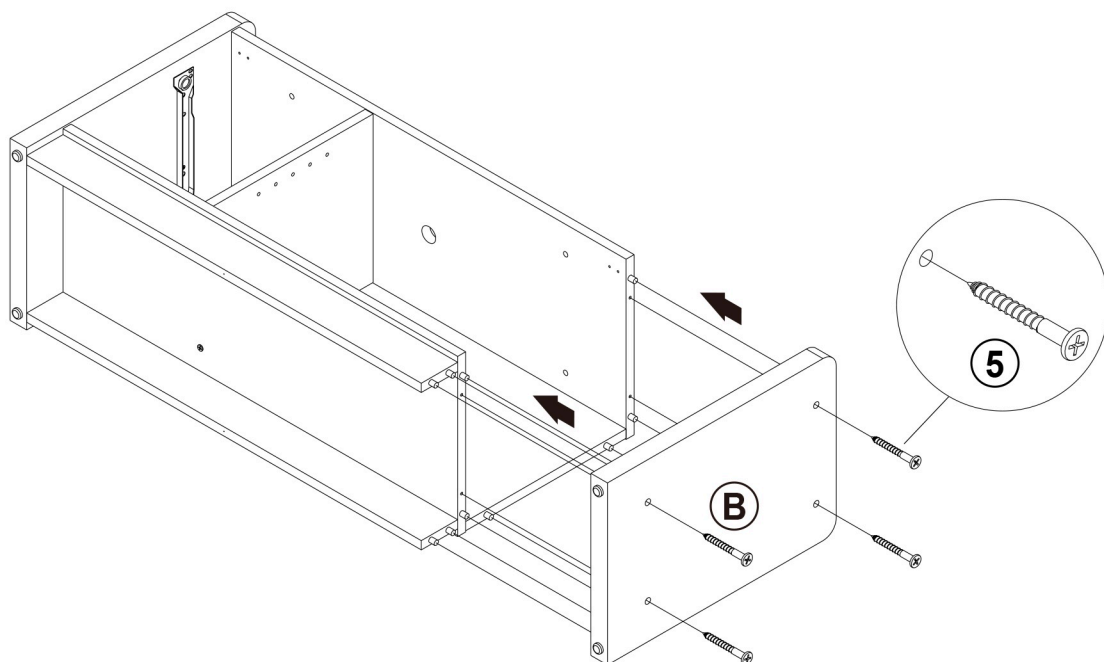
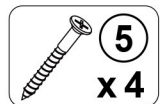


ITEM: **910321**

STEP 7

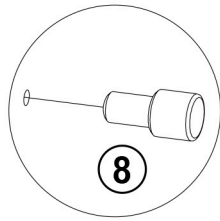
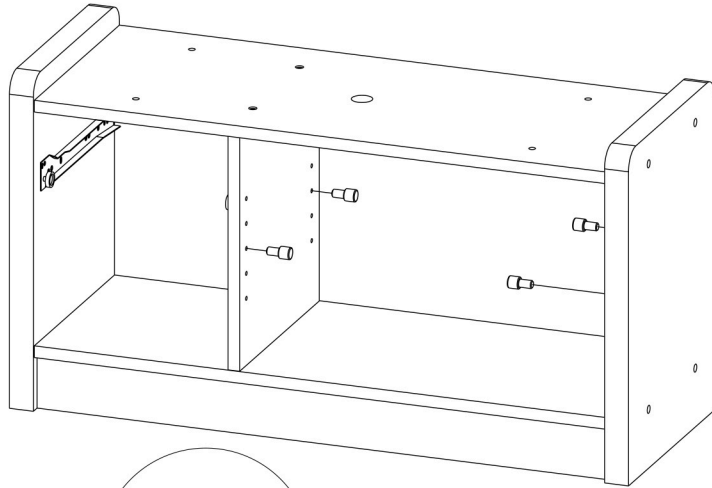
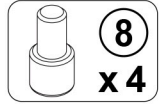


STEP 8

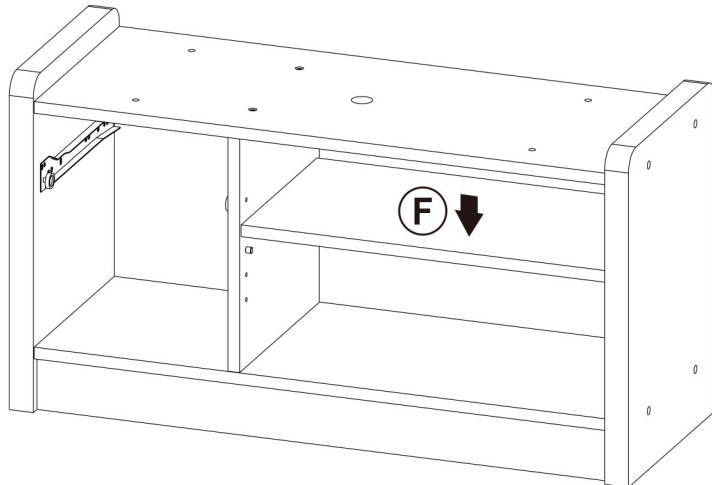


ITEM: **910321**

STEP 9

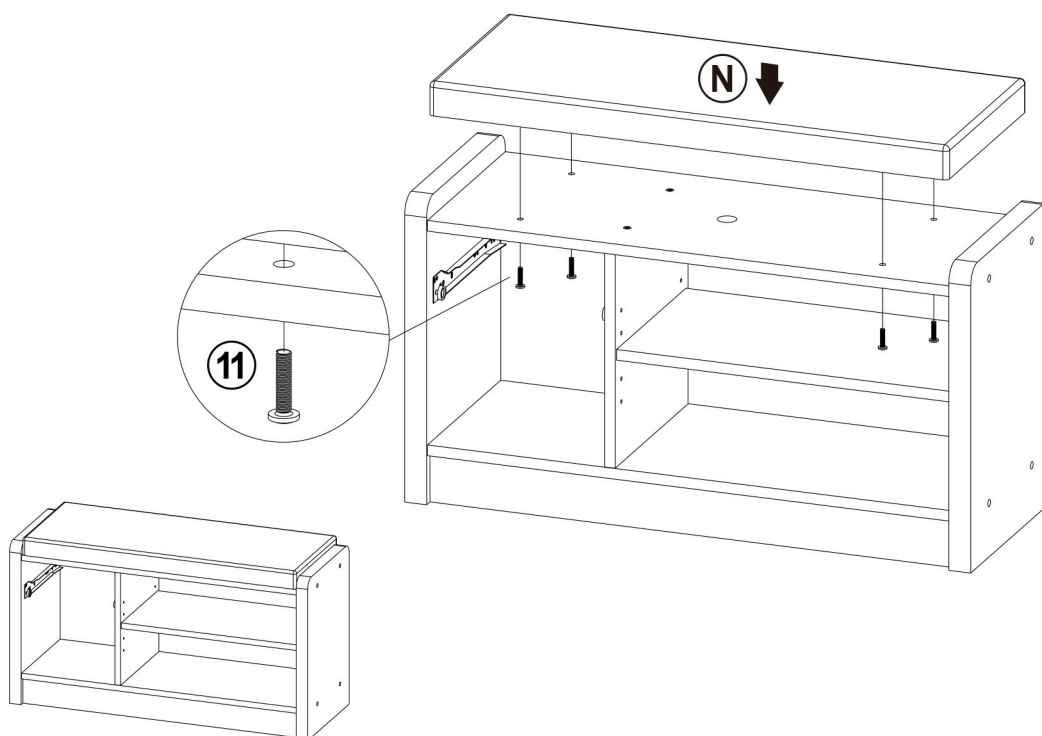


STEP 10

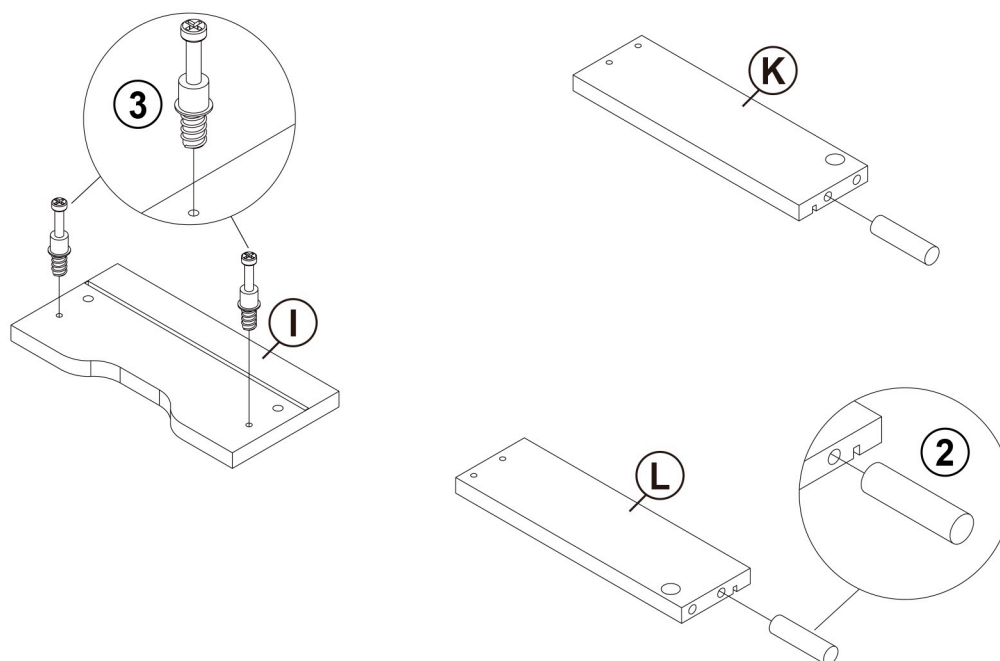
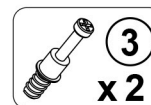
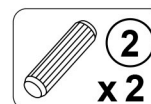


ITEM: **910321**

STEP 11

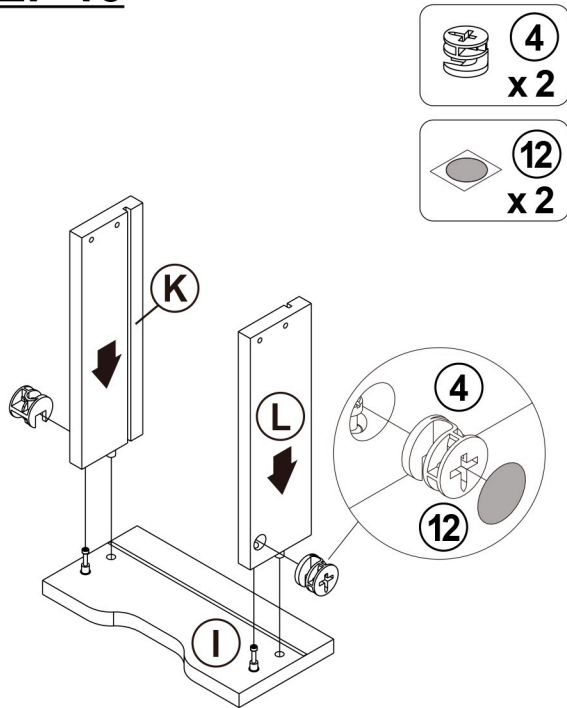


STEP 12



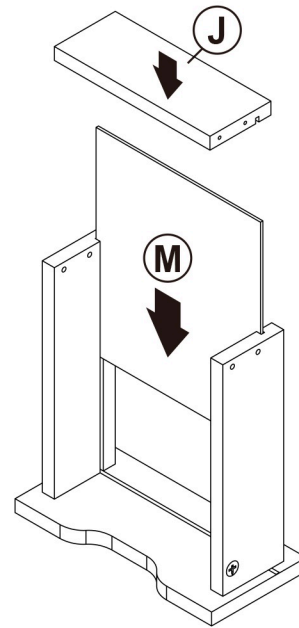
ITEM: 910321

STEP 13

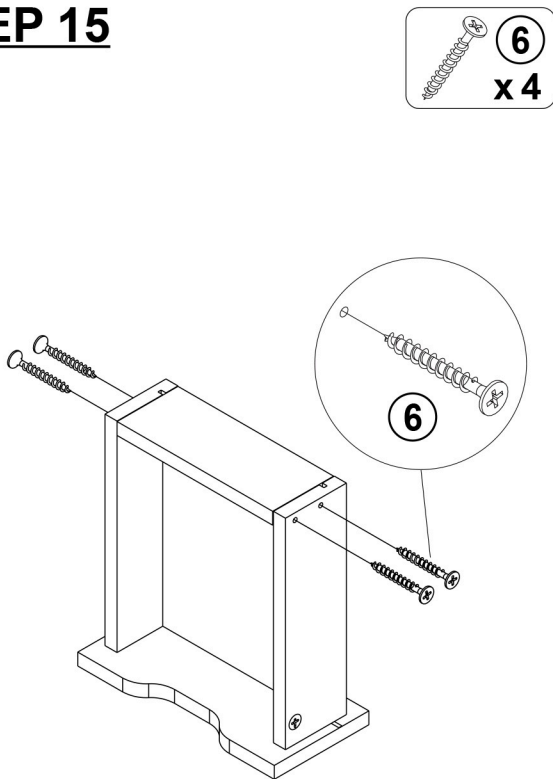


Apply glue on all wooden dowels to ensure integrity of the structure.

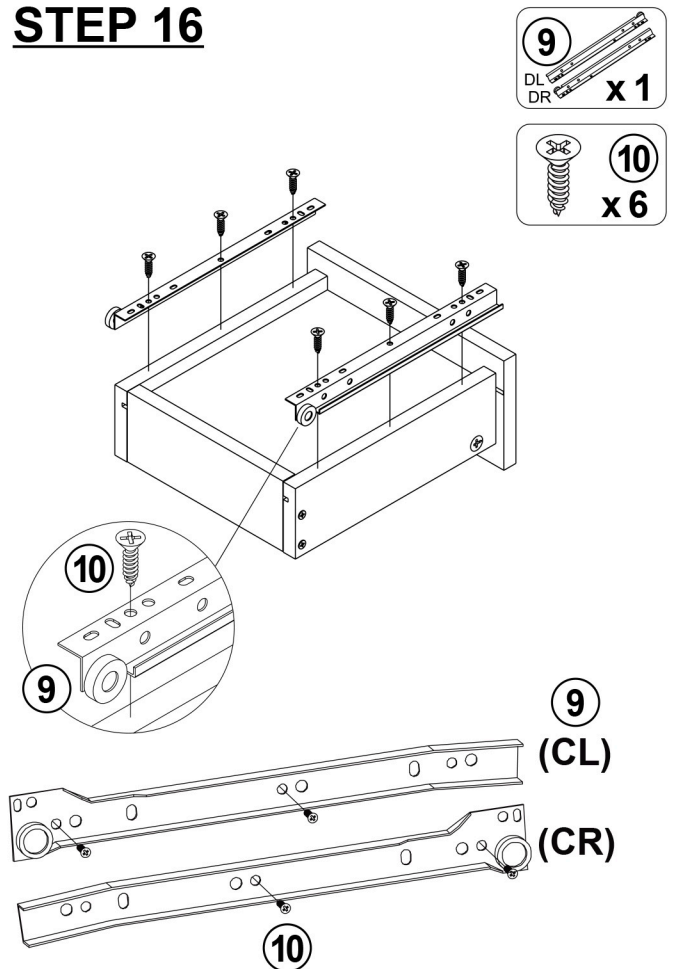
STEP 14



STEP 15

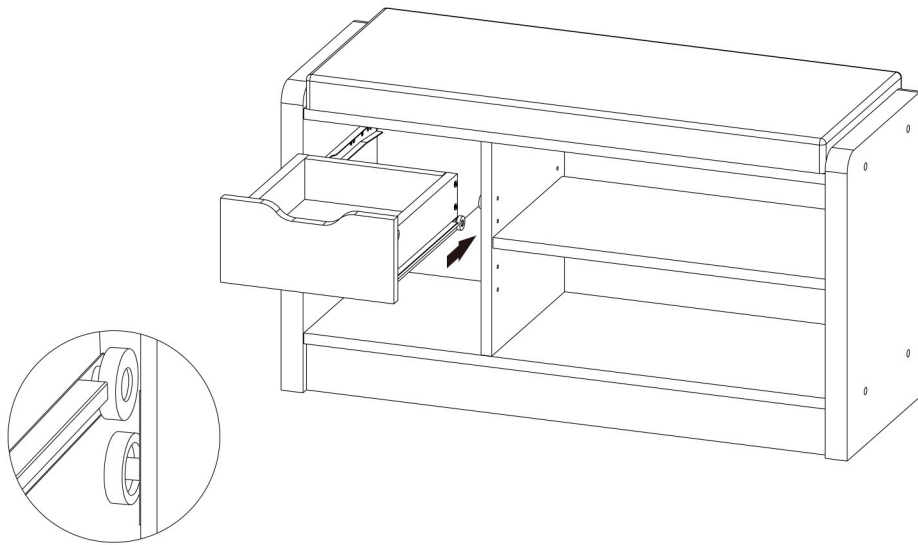


STEP 16



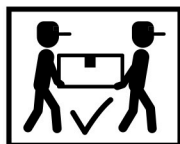
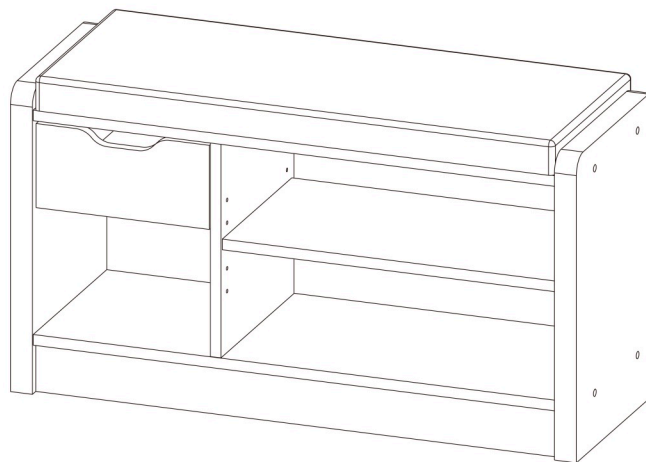
ITEM: **910321**

STEP 17

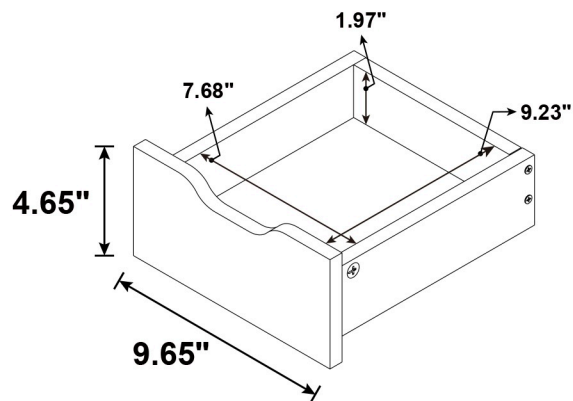
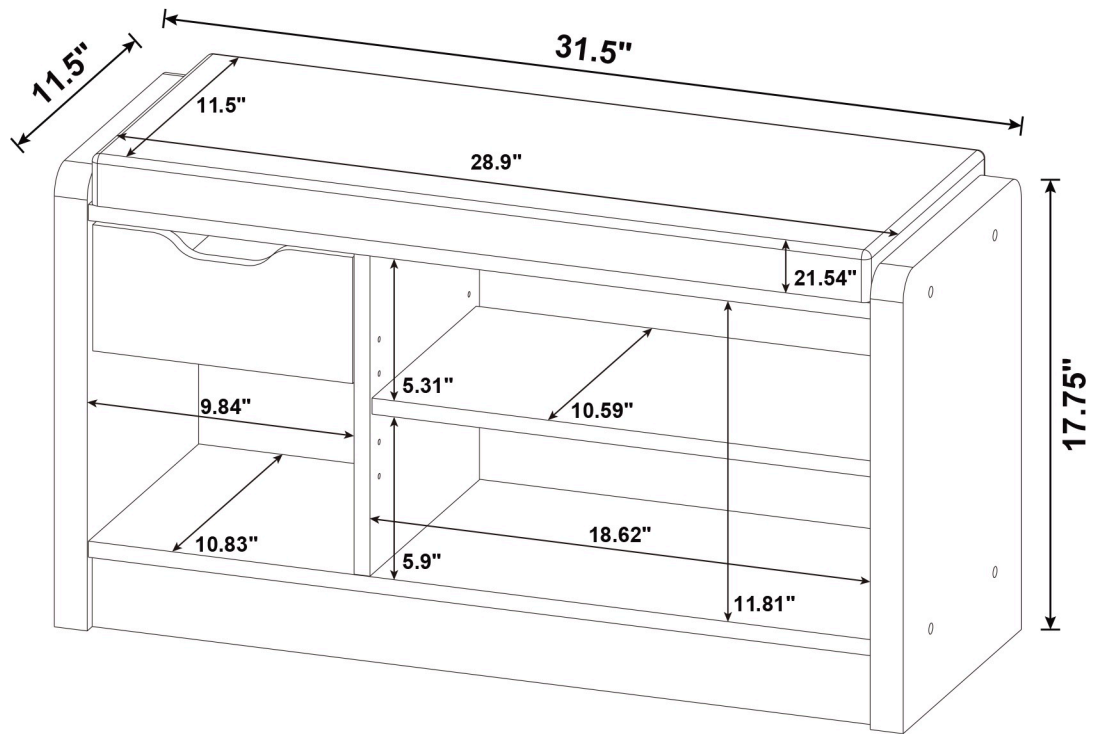


STEP 18

COMPLETE



ITEM: 910321



Note : Dimension tolerance $\pm 5\%$