

Assembly Instructions

DISCOUNT BOB'S FURNITURE






ITEM:988-VTY-MR
ITEM:988-VTY-BS


CONTEMPO-VANITY FOLDING MIRROR
CONTEMPO - LEFT & RIGHT VANITY BASE

SKU# 20082095012
SKU# 20082095011





WARNING: To avoid serious personal injury:

- Carefully and strictly follow assembly instructions. Improper assembly of furniture can result in structural failure, instability of the product, or tip-over.
- Monitor and carefully control the assembly components. These include small parts and hardware that may present a choking hazard to small children. Bob's furniture should be assembled only by responsible adults and children should not be involved in the assembly process.
- Where provided, wall mounting hardware should always be used as prescribed in these instructions to anchor furniture to walls. Proper use of the wall mounting hardware can significantly reduce the potential for furniture tip-over and crushing injuries.

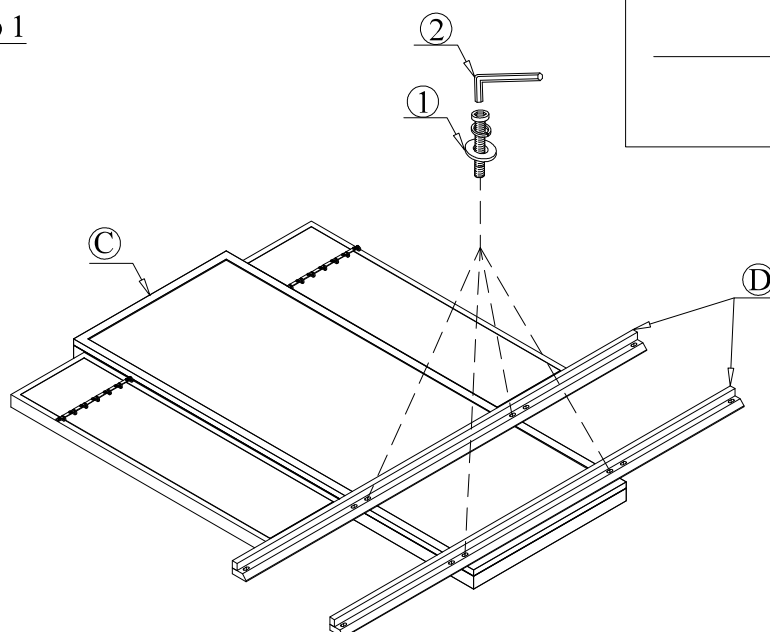
CODE	PARTS LIST:		QTY
A	Left Vanity Base		1 pc
B	Right Vanity Base		1 pc
C	Vanity Folding Mirror		1 pc
D	Mirror Supports		2 pcs
E	Glass Shelf		1 pc

HARDWARE LIST (PACKED IN BASE CARTON)			
NO.	SKETCH	DESCRIPTION	QTY
1		Tipping Restraint	2 Sets

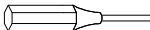
REMARK: Above hardware quantities are for one hardware pack. Each Vanity Base (A&B) contains one hardware pack.

HARDWARE LIST (PACKED IN MIRROR CARTON)			
NO.	SKETCH	DESCRIPTION	QTY
1		Flat Washer $\text{Ø}1/4" \times 3/4" \times 1/16"$	12pcs
		Spring Washer $\text{Ø}1/4"$	12pcs
		Bolt $\text{Ø}1/4" \times 1-1/2"$	12pcs
2		Allen Wrench M4*2-1/4"	1pc
3		Glass clamp	4pcs
4		Bolt $\text{Ø}5/32" \times 9/16"$	4pcs

Step 1



TOOLS REQUIRED (NOT PROVIDED)

Phillips Screwdriver 

Hardware Pack Location (s):

ITEM:988-VTY-BS
ITEM:988-VTY-MR

CONTEMPO - LEFT & RIGHT VANITY BASE
CONTEMPO - VANITY FOLDING MIRROR

SKU# 20082095011
SKU# 20082095012

Assembly Instructions

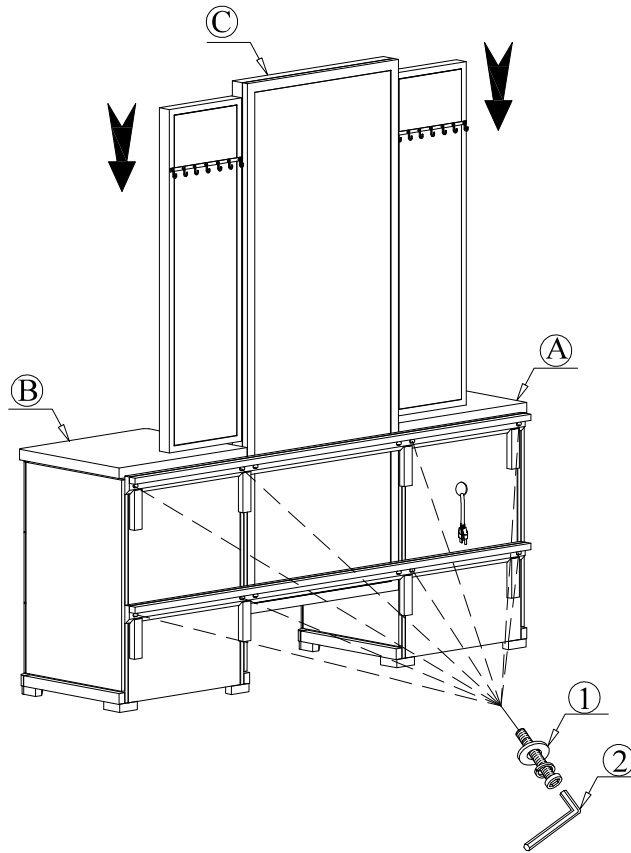
DISCOUNT
BOB'S FURNITURE

ITEM:988-VTY-MR
ITEM:988-VTY-BS

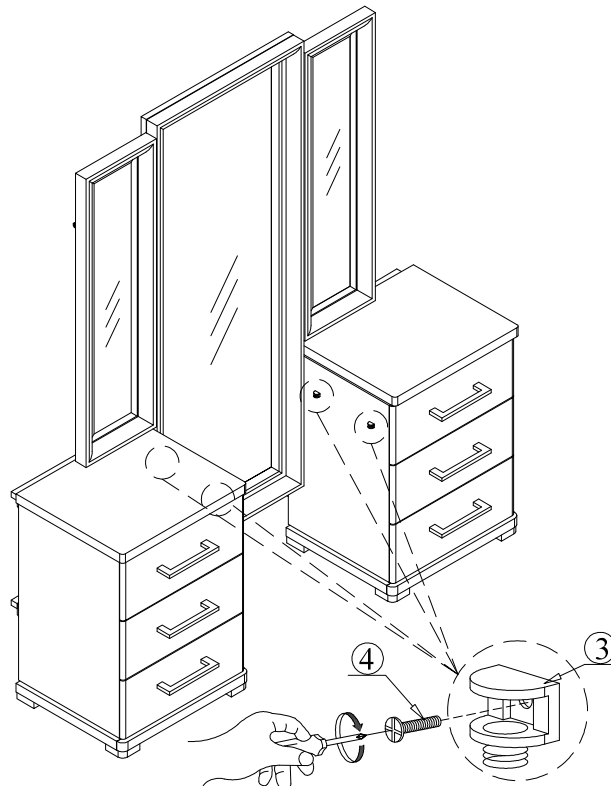
CONTEMPO-VANITY FOLDING MIRROR
CONTEMPO - LEFT & RIGHT VANITY BASE

SKU# 20082095012
SKU# 20082095011

Step 2



Step 3



Hardware Pack Location (s):

ITEM:988-VTY-BS
ITEM:988-VTY-MR

CONTEMPO - LEFT & RIGHT VANITY BASE
CONTEMPO - VANITY FOLDING MIRROR

SKU# 20082095011
SKU# 20082095012

Assembly Instructions

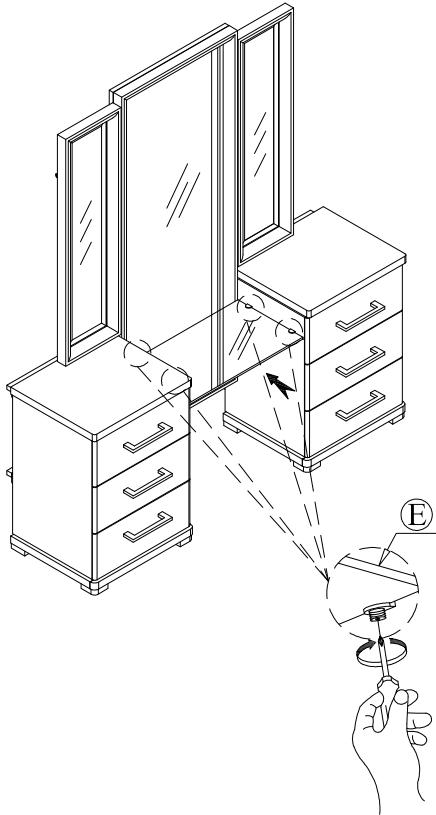
DISCOUNT
BOB'S FURNITURE

ITEM:988-VTY-MR
ITEM:988-VTY-BS

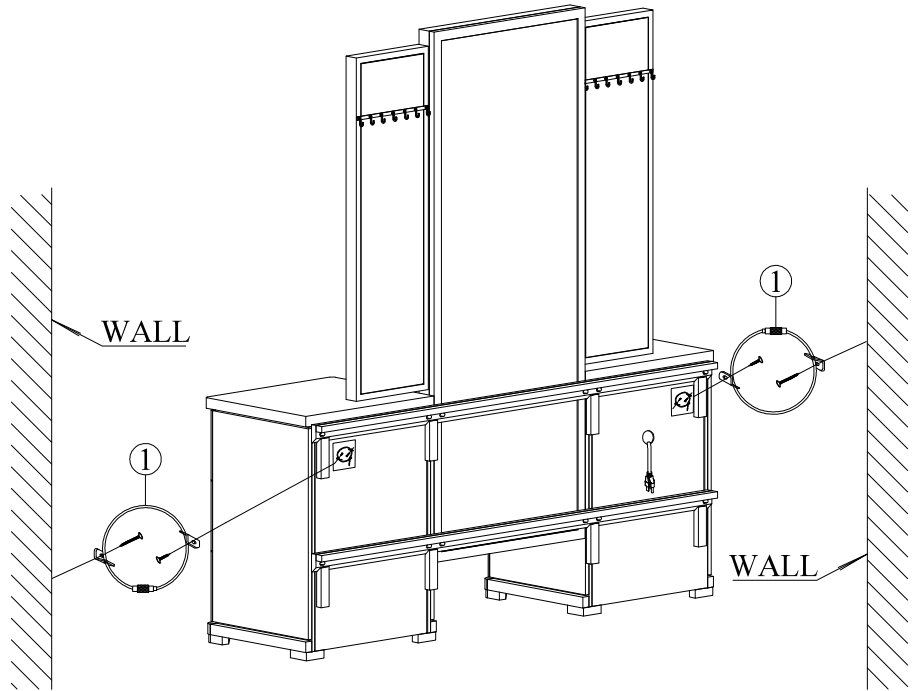
CONTEMPO-VANITY FOLDING MIRROR
CONTEMPO - LEFT & RIGHT VANITY BASE

SKU# 20082095012
SKU# 20082095011

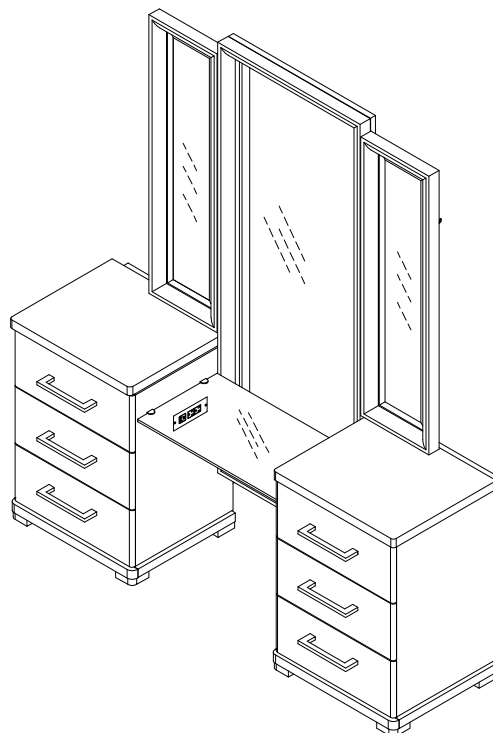
Step 4



WARNING: Serious or fatal crushing injuries can occur from furniture tip-over. Please review the instructions for the Tipping Restraint (1) that is included with your product.



COMPLETE



Hardware Pack Location (s):

ITEM:988-VTY-BS
ITEM:988-VTY-MR

CONTEMPO - LEFT & RIGHT VANITY BASE
CONTEMPO - VANITY FOLDING MIRROR

SKU# 20082095011
SKU# 20082095012


Assembly Instructions

DISCOUNT
BOB'S FURNITURE

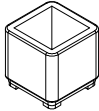

ITEM:988-VTY-STL

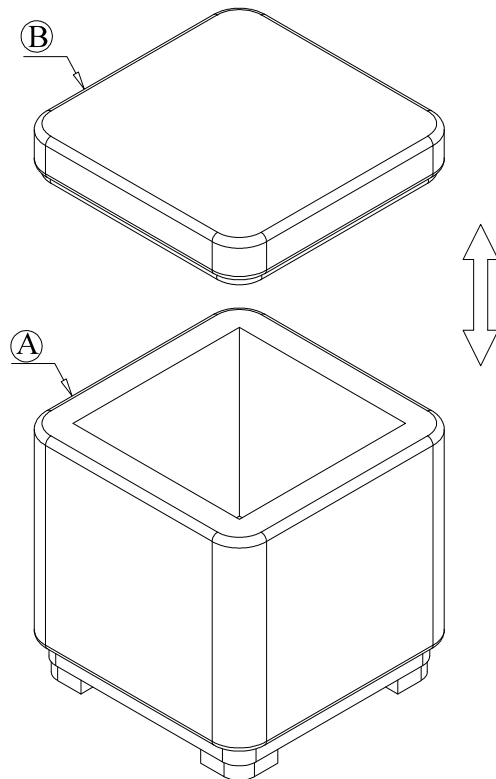
CONTEMPO-VANITY STOOL-SQUARE

SKU# 20082095014

 **WARNING:** To avoid serious personal injury:

- Carefully and strictly follow assembly instructions. Improper assembly of furniture can result in structural failure, instability of the product, or tip-over.
- Monitor and carefully control the assembly components. These include small parts and hardware that may present a choking hazard to small children. Bob's furniture should be assembled only by responsible adults and children should not be involved in the assembly process.
- Where provided, wall mounting hardware should always be used as prescribed in these instructions to anchor furniture to walls. Proper use of the wall mounting hardware can significantly reduce the potential for furniture tip-over and crushing injuries.

CODE	PARTS LIST:		QTY
A	Vanity Base		1 pc
B	Cusion Seat with Frame		1 pc



COMPLETE

