





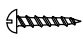


# Assembly Instructions

# BOB'S DISCOUNT FURNITURE

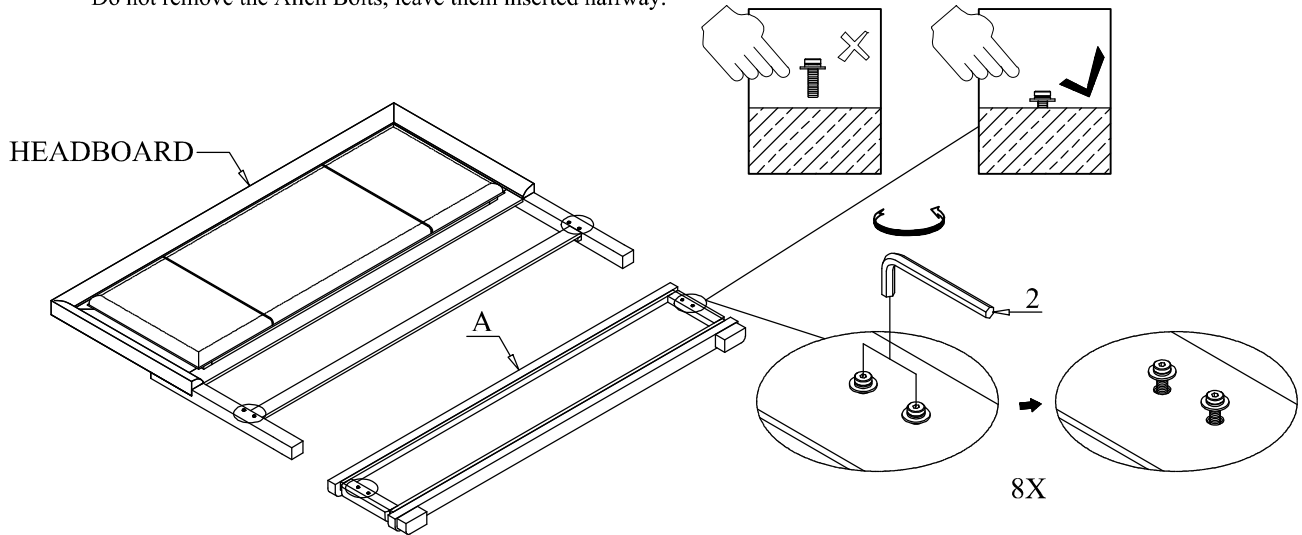
ITEM:988-60H      CONTEMPO - QUEEN UPHOLSTERY HEADBOARD W/COB LIGHT STRIP      SKU# 20082095006  
 ITEM:988-60F      CONTEMPO - QUEEN UPHOLSTERY FOOTBOARD W/SLATS      SKU# 20082095005  
 ITEM:988-60R      CONTEMPO - QUEEN/KING UPHOLSTERY SIDE RAILS      SKU# 20082095009

- ▲ WARNING:** To avoid serious personal injury:
- Carefully and strictly follow assembly instructions. Improper assembly of furniture can result in structural failure, instability of the product, or tip-over.
  - Monitor and carefully control the assembly components. These include small parts and hardware that may present a choking hazard to small children. Bob's furniture should be assembled only by responsible adults and children should not be involved in the assembly process.
  - Where provided, wall mounting hardware should always be used as prescribed in these instructions to anchor furniture to walls. Proper use of the wall mounting hardware can significantly reduce the potential for furniture tip-over and crushing injuries.

CODE	PARTS LIST:		
A	Panel Footboard		1 pc
B	Slats (Packed in Footboard Carton)		5 pcs
C	Support Legs (Packed in Footboard Carton)		5 pcs
D	Side Rail		2 pcs

CODE	FOOTBOARD HARDWARE LIST ( PACKED IN FB CARTON )		
1	Wood Screw #8 x 30mm		10 pcs
2	Allen Wrench M4 x 2-1/4"		1 pc
<b>TOOLS REQUIRED ( NOT PROVIDED )</b> <hr/> Phillips Screwdriver 			

**Step 1** Loosen the Allen Bolts in the Headboard Legs and Footboard (A) with Allen Wrench.  
 Do not remove the Allen Bolts, leave them inserted halfway.



**Step 2** Intsall Support Legs (C) into the insert nut on Slats (B).



**Hardware Pack Location (s):**

# Assembly Instructions

# BOB'S DISCOUNT FURNITURE

ITEM:988-60H

CONTEMPO - QUEEN UPHOLSTERY HEADBOARD W/COB LIGHT STRIP

SKU# 20082095006

ITEM:988-60F

CONTEMPO - QUEEN UPHOLSTERY FOOTBOARD W/SLATS

SKU# 20082095005

ITEM:988-60R

CONTEMPO - QUEEN/KING UPHOLSTERY SIDE RAILS

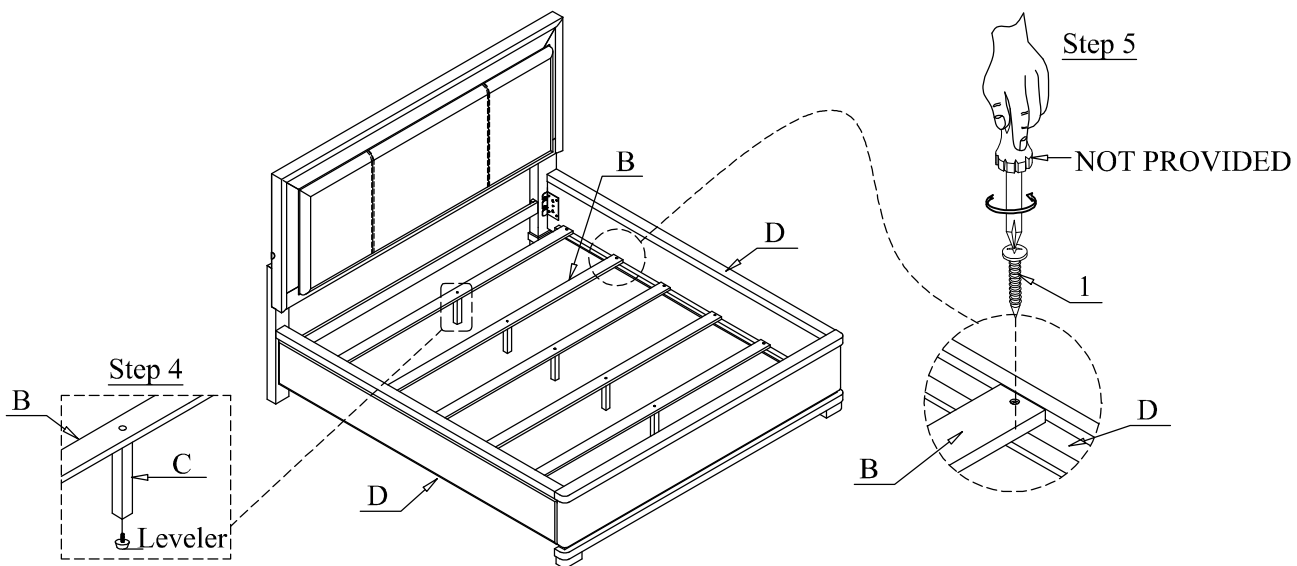
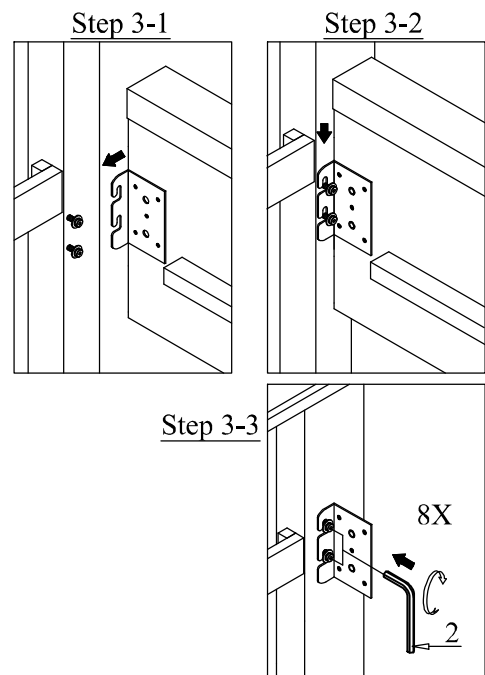
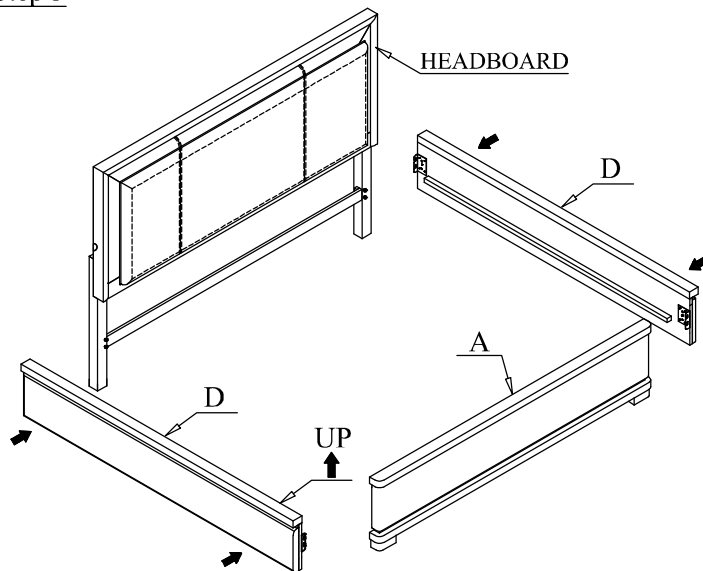
SKU# 20082095009

**▲ WARNING:** To avoid serious personal injury:

- Carefully and strictly follow assembly instructions. Improper assembly of furniture can result in structural failure, instability of the product, or tip-over.
- Monitor and carefully control the assembly components. These include small parts and hardware that may present a choking hazard to small children. Bob's furniture should be assembled only by responsible adults and children should not be involved in the assembly process.
- Where provided, wall mounting hardware should always be used as prescribed in these instructions to anchor furniture to walls. Proper use of the wall mounting hardware can significantly reduce the potential for furniture tip-over and crushing injuries.

Attach Side Rail (D) to Headboard Legs and Footboard (A). Place the Side Rail bracket hooks onto the Allen Bolts loosened in Step 1. Apply downward force until they are fully in place. Tighten Allen Bolts with Allen Wrench .

## Step 3

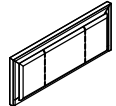
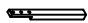






# Assembly Instructions

# BOB'S DISCOUNT FURNITURE

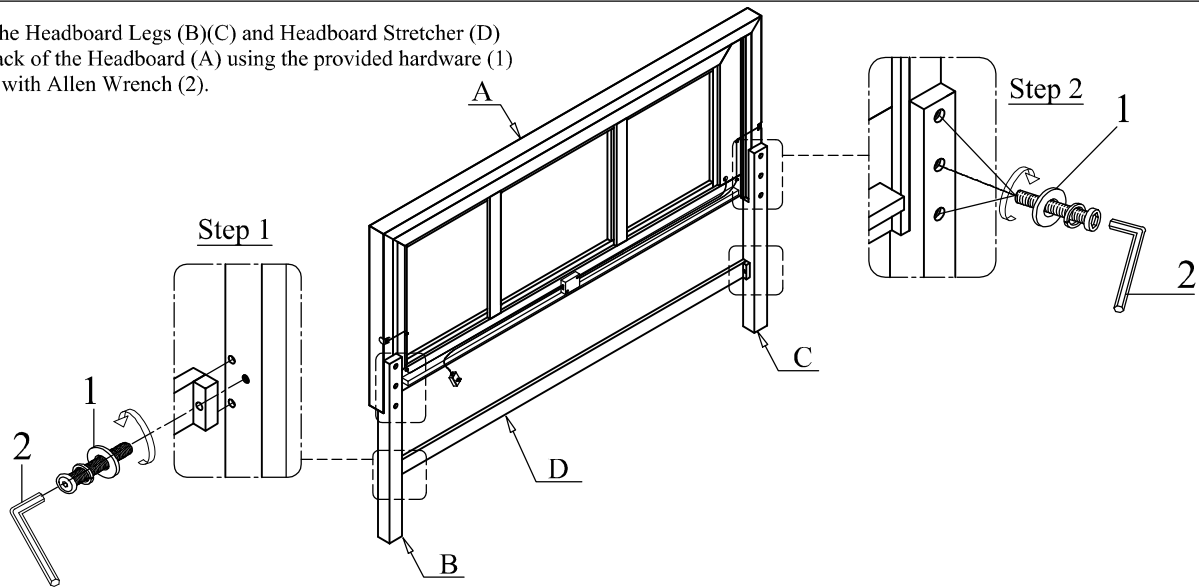
ITEM:988-60H CONTEMPO - QUEEN UPHOLSTERY HEADBOARD W/COB LIGHT STRIP SKU# 20082095006  
 ITEM:988-65H CONTEMPO - KING UPHOLSTERY HEADBOARD W/COB LIGHT STRIP SKU# 20082095002

- ▲ WARNING:** To avoid serious personal injury:
- Carefully and strictly follow assembly instructions. Improper assembly of furniture can result in structural failure, instability of the product, or tip-over.
  - Monitor and carefully control the assembly components. These include small parts and hardware that may present a choking hazard to small children. Bob's furniture should be assembled only by responsible adults and children should not be involved in the assembly process.
  - Where provided, wall mounting hardware should always be used as prescribed in these instructions to anchor furniture to walls. Proper use of the wall mounting hardware can significantly reduce the potential for furniture tip-over and crushing injuries.

CODE	PARTS LIST		
A	Headboard		1 pc
B	Left Headboard Leg		1 pc
C	Right Headboard Leg		1 pc
D	Headboard Stretcher		1 pc

HEADBOARD HARDWARE LIST ( PACKED IN HB CARTON )			
NO.	SKETCH	DESCRIPTION	QTY
1		Flat Washer Ø5/16"*19mm*2mm	8
		Spring Washer Ø5/16"	8
		Bolt Ø5/16"*45mm	8
2		Allen Wrench M4*2-1/4"	1

Attach the Headboard Legs (B)(C) and Headboard Stretcher (D) to the back of the Headboard (A) using the provided hardware (1) Tighten with Allen Wrench (2).

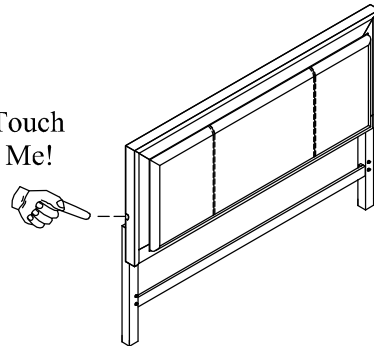


## COMPLETE

### Your Touch is the Switch

- Touch 1-Night light
- Touch 2-Energy saver light
- Touch 3-Bright reading light
- Touch 4-Off

Touch Me!



### Hardware Pack Location (s):

ITEM:988-60H  
ITEM:988-65H

CONTEMPO - QUEEN UPHOLSTERY HEADBOARD W/COB LIGHT STRIP  
CONTEMPO - KING UPHOLSTERY HEADBOARD W/COB LIGHT STRIP

SKU# 20082095006  
SKU# 20082095002

1 of 1