

# Assembly Instructions

# BOB'S DISCOUNT FURNITURE

ITEM:988-20


CONTEMPO - NIGHTSTAND



SKU# 20082095008



**WARNING:** To avoid serious personal injury:

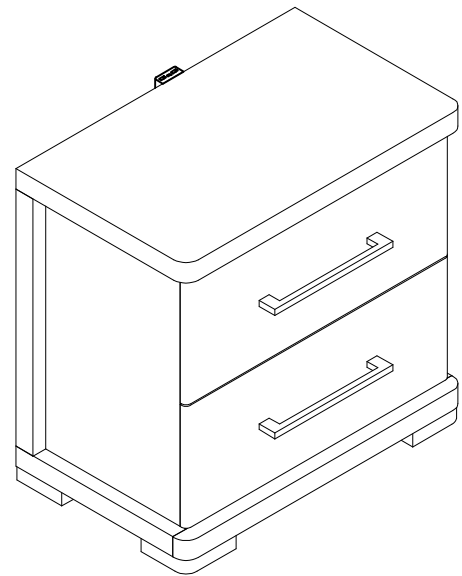
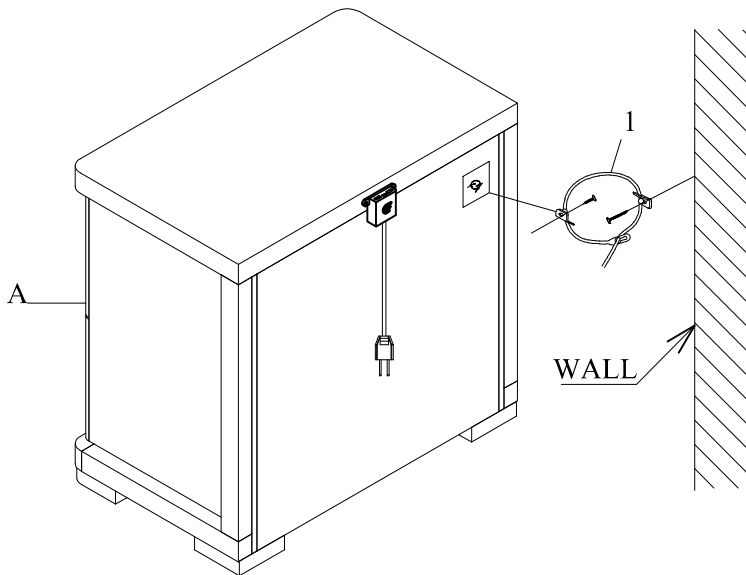
- Carefully and strictly follow assembly instructions. Improper assembly of furniture can result in structural failure, instability of the product, or tip-over.
- Monitor and carefully control the assembly components. These include small parts and hardware that may present a choking hazard to small children. Bob's furniture should be assembled only by responsible adults and children should not be involved in the assembly process.
- Where provided, wall mounting hardware should always be used as prescribed in these instructions to anchor furniture to walls. Proper use of the wall mounting hardware can significantly reduce the potential for furniture tip-over and crushing injuries.

CODE	PARTS LIST		
A	Nightstand		1 pc

CODE	HARDWARE LIST		
1	Tipping Restraint		1 Set
TOOLS REQUIRED ( NOT PROVIDED )			
Phillips Screwdriver 			

**WARNING:** Serious or fatal crushing injuries can occur from furniture tip-over. Please review the instructions for the Tipping Restraint (1) that is included with your product.

COMPLETE



**Hardware Pack Location (s):**

ITEM:988-20

CONTEMPO - NIGHTSTAND

SKU# 20082095008

1 of 1

MADE IN VIETNAM