

Assembly Instructions

BOB'S DISCOUNT FURNITURE

ITEM:988-01
ITEM:988-10



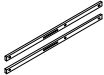
CONTEMPO - MIRROR W/COB LIGHT STRIP
CONTEMPO - DRESSER



SKU# 20082095007
SKU# 20082095004



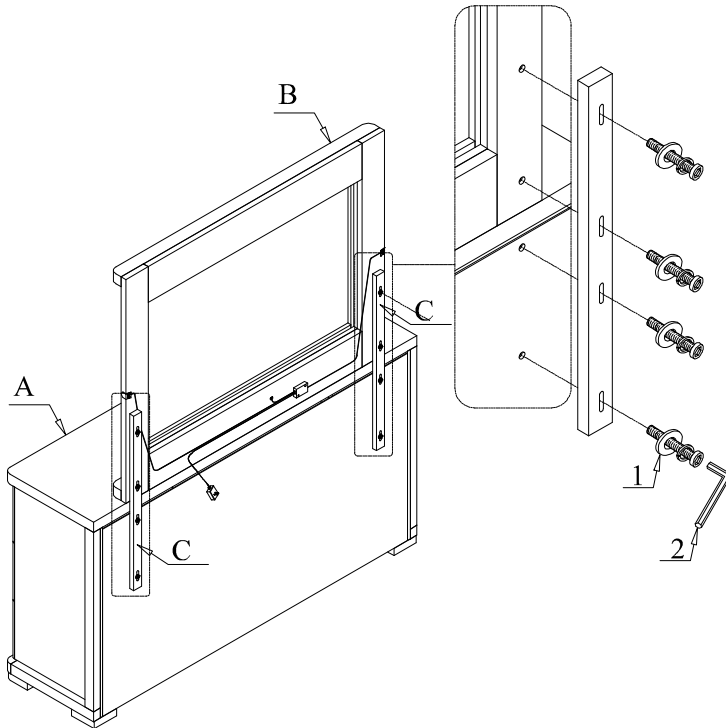
WARNING: To avoid serious personal injury:

- Carefully and strictly follow assembly instructions. Improper assembly of furniture can result in structural failure, instability of the product, or tip-over.
- Monitor and carefully control the assembly components. These include small parts and hardware that may present a choking hazard to small children. Bob's furniture should be assembled only by responsible adults and children should not be involved in the assembly process.
- Where provided, wall mounting hardware should always be used as prescribed in these instructions to anchor furniture to walls. Proper use of the wall mounting hardware can significantly reduce the potential for furniture tip-over and crushing injuries.

CODE	PARTS LIST:		
A	Dresser		1 pc
B	Mirror		1 pc
C	Mirror Supports (Packed in Mirror Carton)		2 pcs

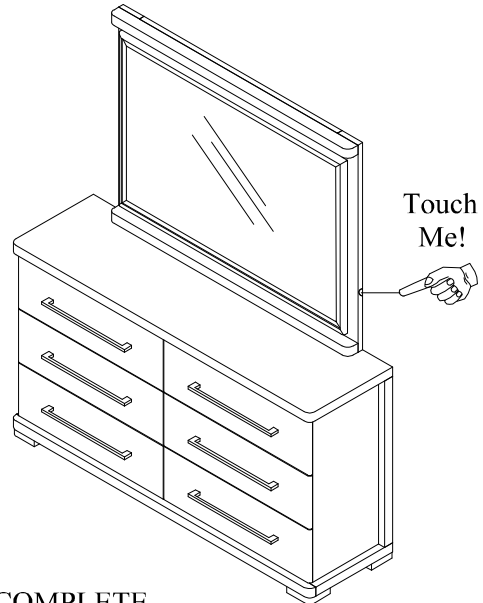
MIRROR HARDWARE LIST (PACKED IN MIRROR CARTON)			
NO.	SKETCH	DESCRIPTION	QTY
1		Flat Washer Ø5/16"*19mm*2mm	8
		Spring Washer Ø5/16"	8
		Bolt Ø5/16"*45mm	8
2		Allen Wrench M4*2-1/4"	1

Attach the Mirror Supports (C) to the Dresser (A) and Mirror (B) using the provided hardware (1) as shown. Tighten with Allen Key (2).



Your Touch is the Switch

- Touch 1-Night light
- Touch 2-Energy saver light
- Touch 3-Bright reading light
- Touch 4-Off



Hardware Pack Location (s):

ITEM:988-01

CONTEMPO - MIRROR W/COB LIGHT STRIP

SKU# 20082095007

1 of 1

MADE IN VIETNAM

Assembly Instructions

BOB'S DISCOUNT FURNITURE

ITEM:988-10


CONTEMPO - DRESSER



SKU# 20082095004



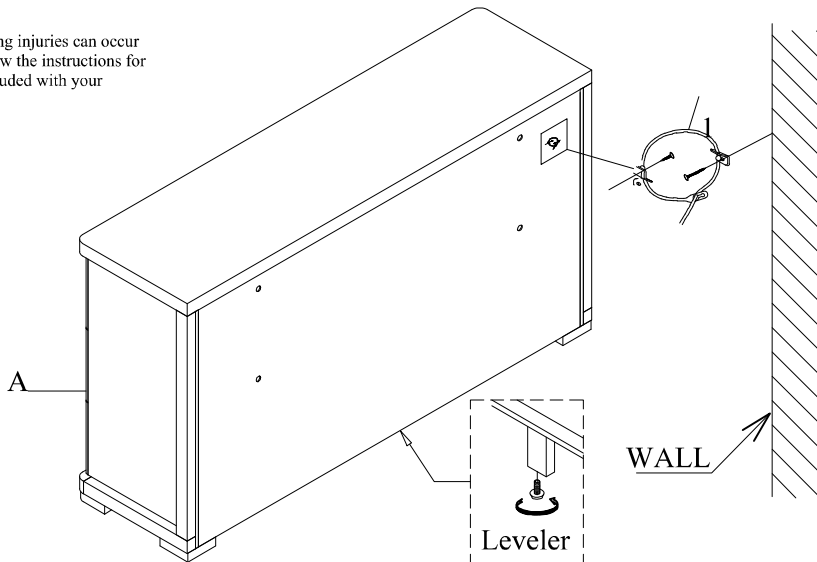
WARNING: To avoid serious personal injury:

- Carefully and strictly follow assembly instructions. Improper assembly of furniture can result in structural failure, instability of the product, or tip-over.
- Monitor and carefully control the assembly components. These include small parts and hardware that may present a choking hazard to small children. Bob's furniture should be assembled only by responsible adults and children should not be involved in the assembly process.
- Where provided, wall mounting hardware should always be used as prescribed in these instructions to anchor furniture to walls. Proper use of the wall mounting hardware can significantly reduce the potential for furniture tip-over and crushing injuries.

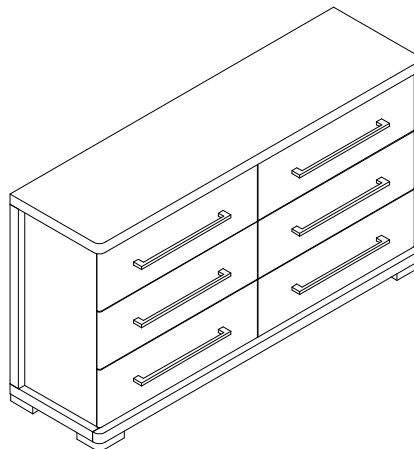
CODE		PARTS LIST	
A	Dresser		1 pc

CODE		HARDWARE LIST	
1	Tipping Restraint		1 Set
TOOLS REQUIRED (NOT PROVIDED)			
Phillips Screwdriver 			

WARNING: Serious or fatal crushing injuries can occur from furniture tip-over. Please review the instructions for the Tipping Restraint (1) that is included with your product.



COMPLETE



Hardware Pack Location (s):

ITEM:988-10

CONTEMPO - DRESSER

SKU# 20082095004

1 of 1

MADE IN VIETNAM