

# Assembly Instruction For QUEEN UPHOLSTERED BED WITH LED

B-14820-6-QUHF / B-14820-6-QKUR / B-14820-8-QUHF / B-14820-8-QKUR

**⚠ WARNING: To avoid serious personal injury:**

- Carefully and strictly follow assembly instructions. Improper assembly of furniture can result in structural failure, instability of the product, or tip-over.
- Monitor and carefully control the assembly components. These include small parts and hardware that may present a choking hazard to small children. Bob's furniture should be assembled only by responsible adults and children should not be involved in the assembly process.
- Where provided, wall mounting hardware should always be used as prescribed in these instructions to anchor furniture to walls. Proper use of the wall mounting hardware can significantly reduce the potential for furniture tip-over and crushing injuries.

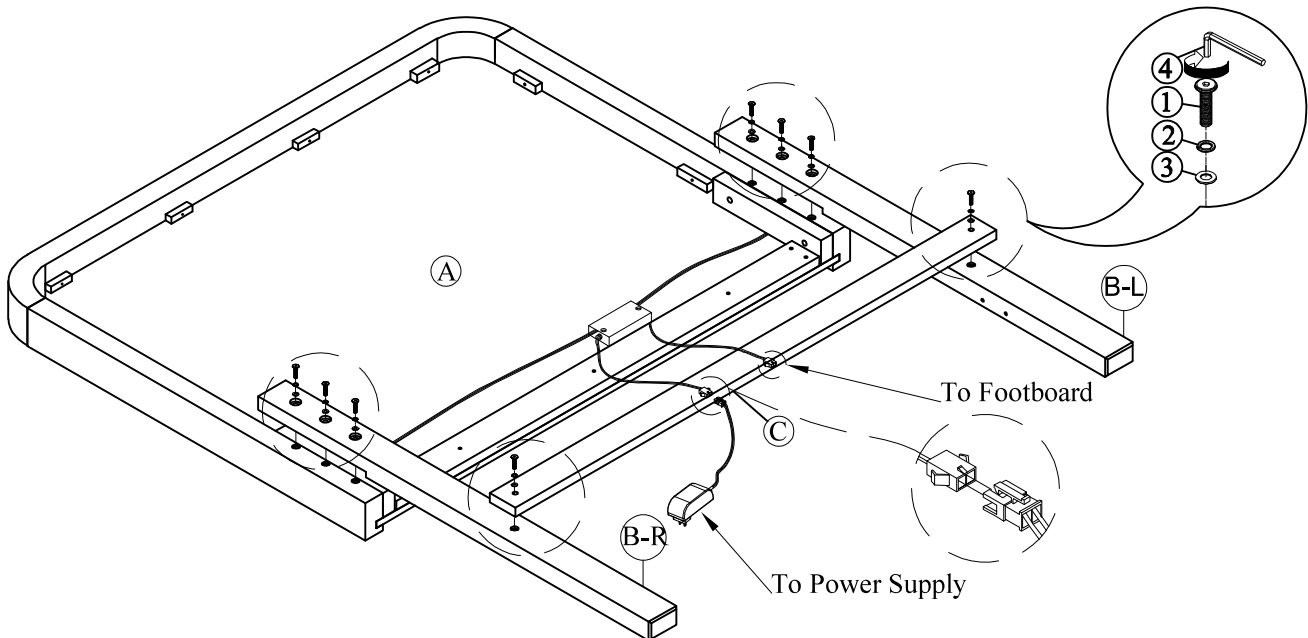
PART LIST			
NO.	PART DESC	CODE.	Q'TY
A	HEADBOARD		1
B/L	LEFT HEADBOARD LEG	PB-14820-6-HBLEG1 PB-14820-8-HBLEG1	1
B/R	RIGHT HEADBOARD LEG	PB-14820-6-HBLEG2 PB-14820-8-HBLEG2	1
C	HEADBOARD BOTTOM STRETCHER	PB-14820-QHSTR	1
D	FOOTBOARD		1
E	SLAT	PB-14820-QBSLT	4
F	SLAT SUPPORT LEG	PB-14820-BDSPL	4
G	SIDE RAIL		2

HARDWARE LIST			
NO.	HARDWARE DESC	CODE.	Q'TY
1	JCBB BOLT (1/4" x 1" 5/8)	PB-14820-KBHW	8
2	SPRING WASHER (1/4")		8
3	FLAT WASHER (1/4" x 5/8")		8
4	ALLEN KEY(5/32")		1
5	CSK SCREW (#4 x 1"1/8)		8
	SCREW-DRIVER(NOT PROVIDED)		

\*HARDWARE LOCATED IN LEG BOX

⚠ Only tighten all bolts when all bolts aligned with bolt inserts

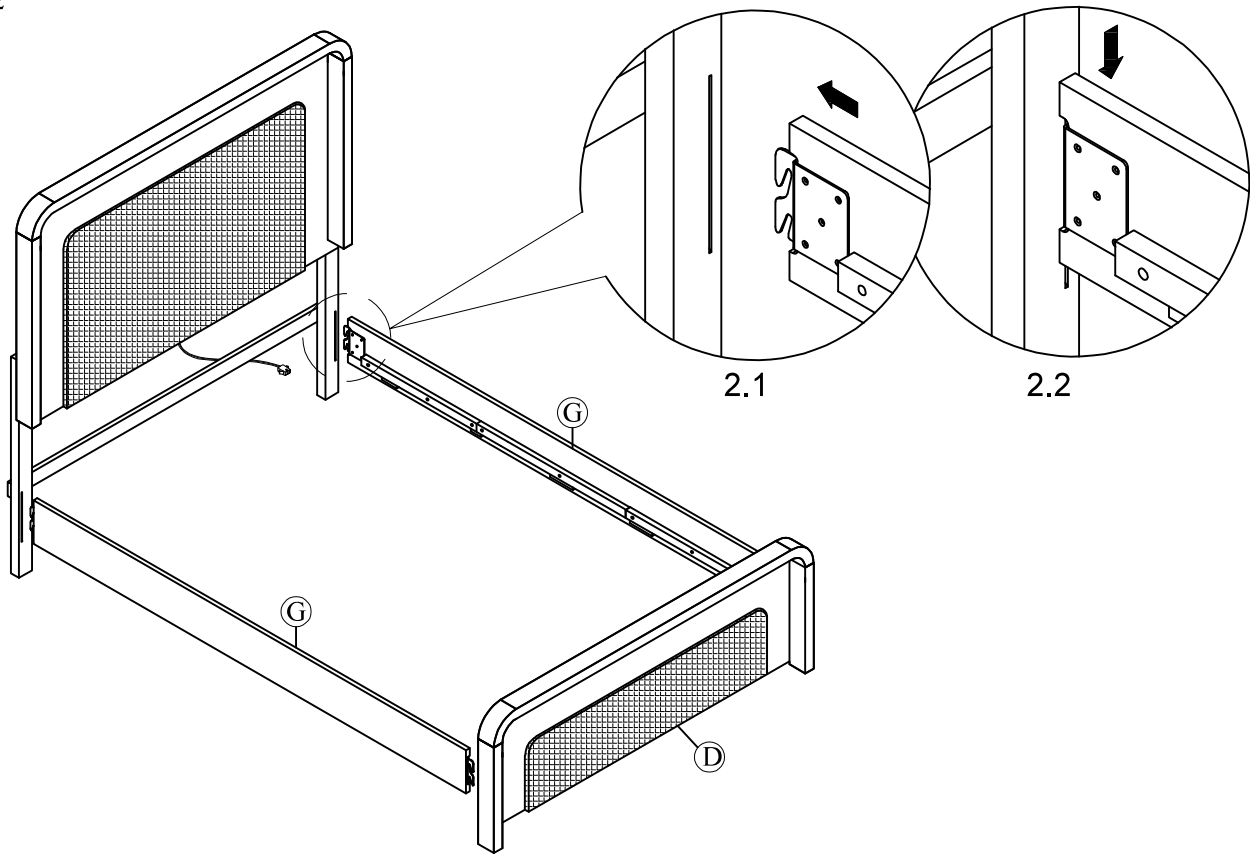
**STEP 1**



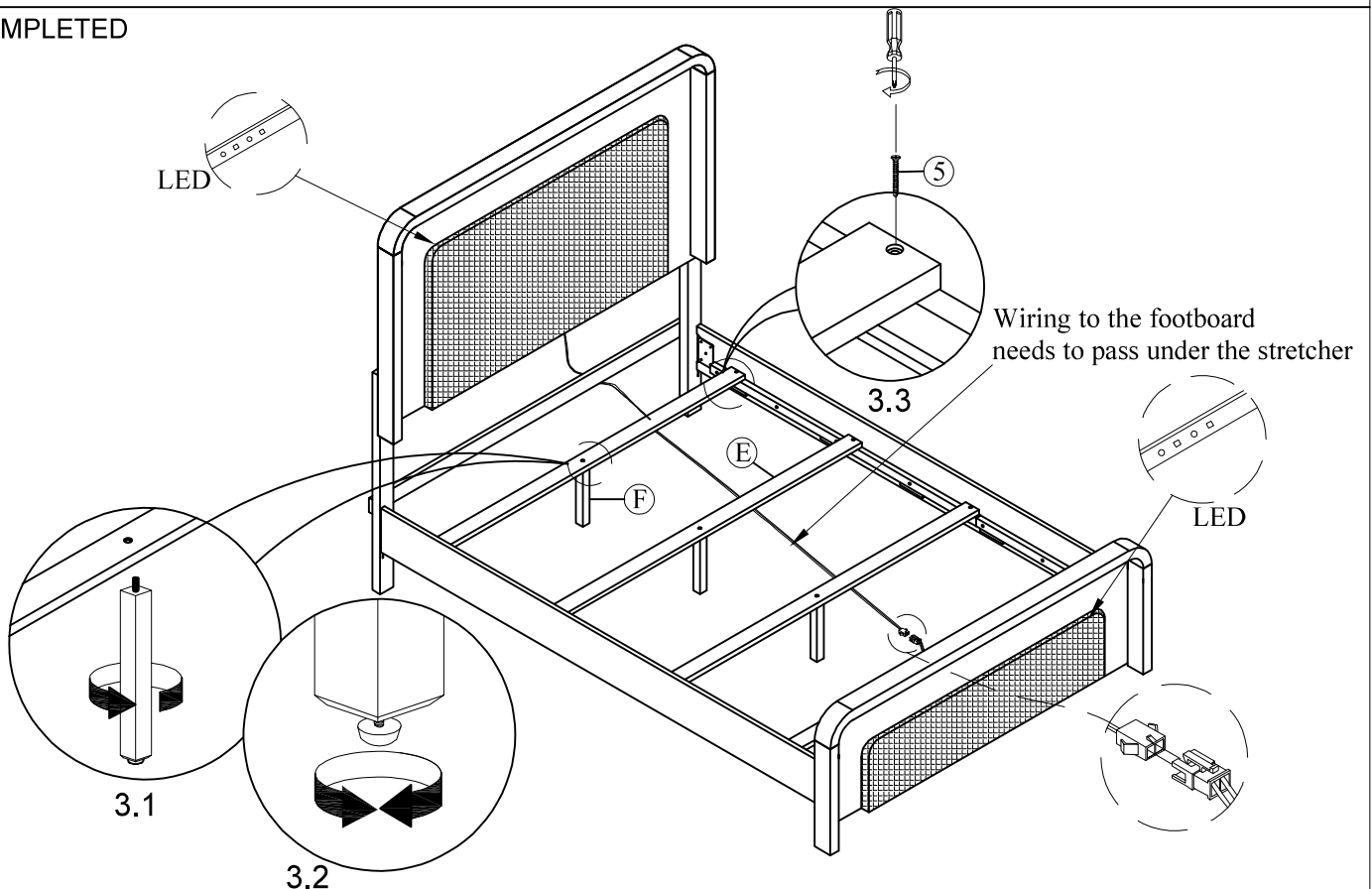
# Assembly Instruction For QUEEN UPHOLSTERED BED WITH LED

B-14820-6-QUHF / B-14820-6-QKUR / B-14820-8-QUHF / B-14820-8-QKUR

## STEP 2



## COMPLETED



# FCC Compliance Information

**Product Name :** Power Adapter

**Model Number:** FX24U-120200C

This device complies with part 15 of the FCC Rules. Operation is subject to the following two conditions: (1) This device may not cause harmful interference, and (2) this device must accept any interference received, including interference that may cause undesired operation.

**CAUTION:** Changes or modifications not expressly approved by the party responsible for compliance could void the user's authority to operate the equipment.

**NOTE:** This equipment has been tested and found to comply with the limits for a Class B digital device, pursuant to part 15 of the FCC Rules. These limits are designed to provide reasonable protection against harmful interference in a residential installation. This equipment generates, uses and can radiate radio frequency energy and, if not installed and used in accordance with the instructions, may cause harmful interference to radio communications. However, there is no guarantee that interference will not occur in a particular installation. If this equipment does cause harmful interference to radio or television reception, which can be determined by turning the equipment off and on, the user is encouraged to try to correct the interference by one or more of the following measures:

- Reorient or relocate the receiving antenna.
- Increase the separation between the equipment and receiver.
- Connect the equipment into an outlet on a circuit different from that to which the receiver is connected.
- Consult the dealer or an experienced radio/TV technician for help.

## FCC Responsible Party:

### Elements International Group, LLC

2250 Skyline Drive Mesquite, TX 75149, US

T: 877.575.3888