

Assembly Instruction For CASCADE QUEEN PANEL BED 20093395 / 20093400

⚠ WARNING: To avoid serious personal injury:

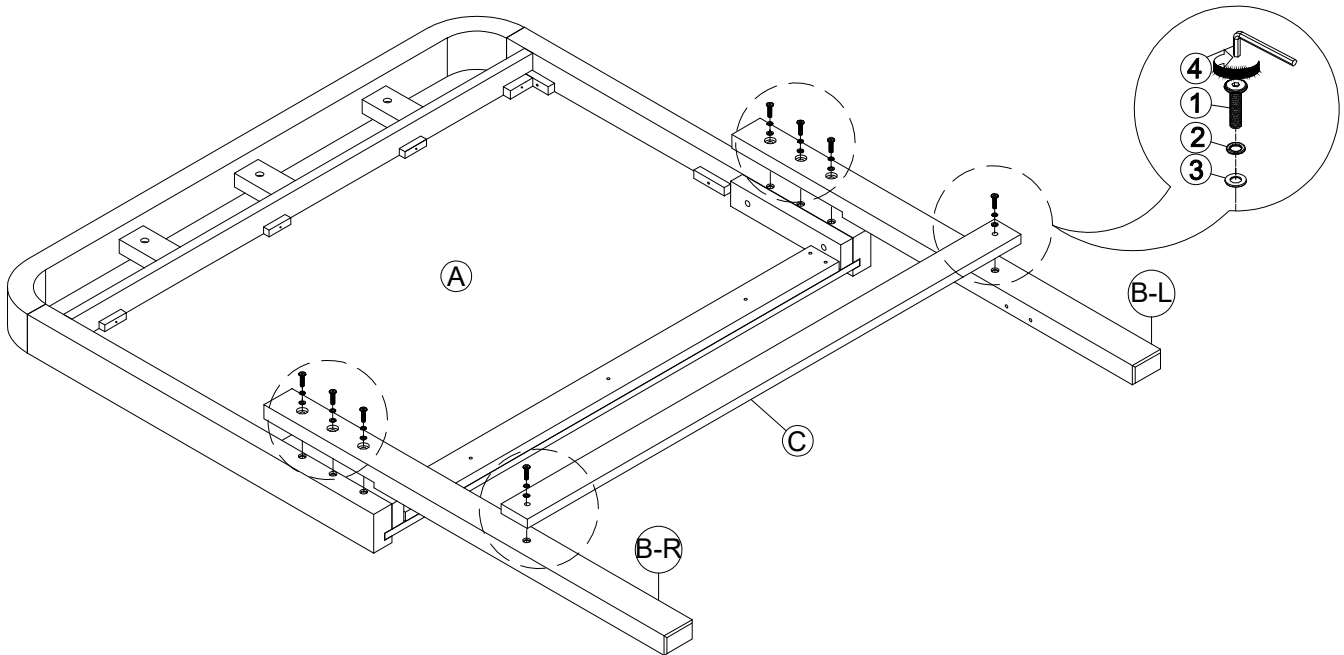
- Carefully and strictly follow assembly instructions. Improper assembly of furniture can result in structural failure, instability of the product, or tip-over.
- Monitor and carefully control the assembly components. These include small parts and hardware that may present a choking hazard to small children. Bob's furniture should be assembled only by responsible adults and children should not be involved in the assembly process.
- Where provided, wall mounting hardware should always be used as prescribed in these instructions to anchor furniture to walls. Proper use of the wall mounting hardware can significantly reduce the potential for furniture tip-over and crushing injuries.

PART LIST			
NO.	PART DESC	CODE	Q'TY
A	HEADBOARD	B-14820-6-QHF B-14820-8-QHF	1
B/L	LEFT HEADBOARD LEG	PB-14820-6-HBLEG1 PB-14820-8-HBLEG1	1
B/R	RIGHT HEADBOARD LEG	PB-14820-6-HBLEG2 PB-14820-8-HBLEG2	1
C	HEADBOARD BOTTOM STRETCHER	PB-14820-QHSTR	1
D	FOOTBOARD	B-14820-6-QHF B-14820-8-QHF	1
E	SLAT	PB-14820-QBSLT	4
F	SLAT SUPPORT LEG	PB-14820-BDSPL	4
G	SIDE RAIL	B-14820-6-QKR B-14820-8-QKR	2

HARDWARE LIST			
NO.	HARDWARE DESC	CODE	Q'TY
1	JCB BOLT (1/4" x 1" 5/8)	PB-14820-KBHW	8
2	SPRING WASHER (1/4")		8
3	FLAT WASHER (1/4" x 5/8")		8
4	ALLEN KEY(5/32")		1
5	CSK SCREW (#4 x 1"1/4)		8
6	SCREW-DRIVER(NOT PROVIDED)		

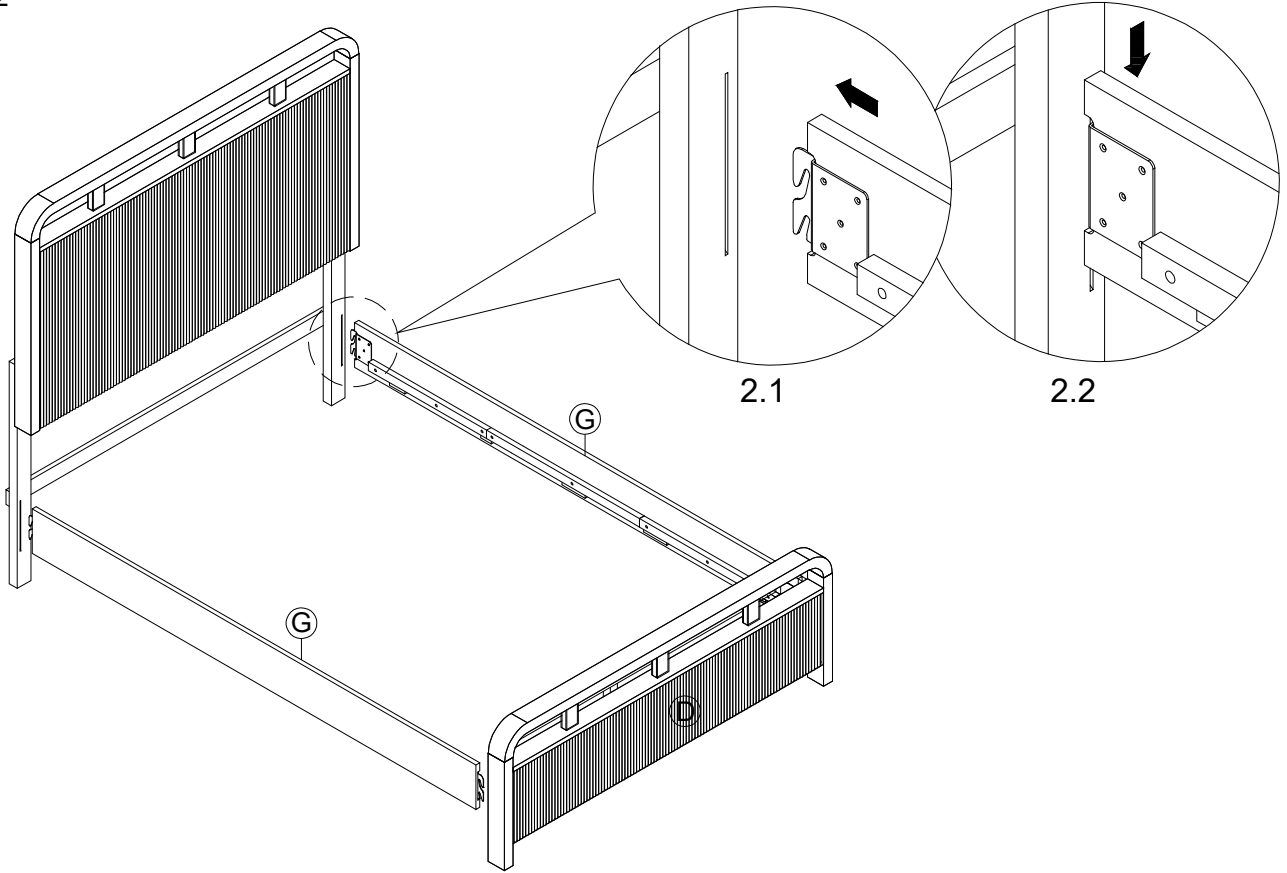
⚠ Only tighten all bolts when all bolts aligned with bolt inserts.

STEP 1

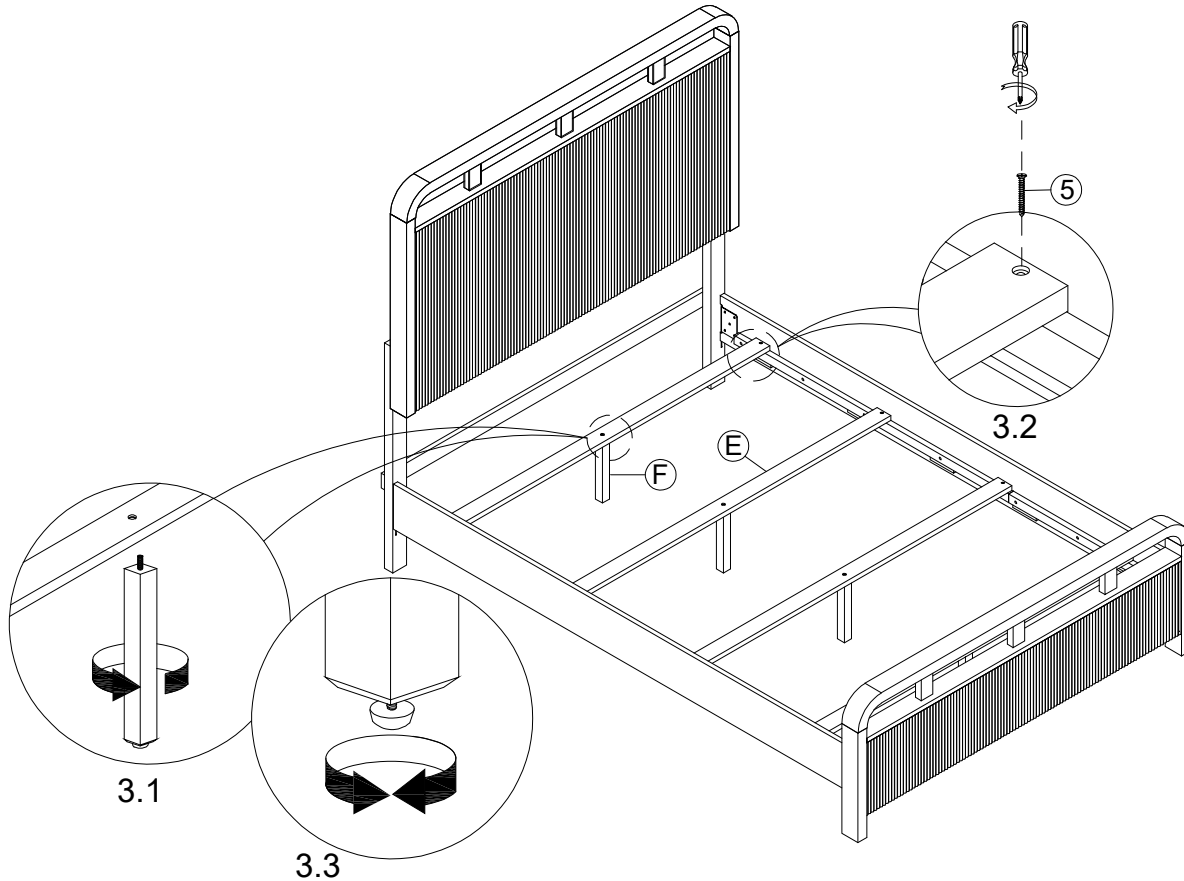


Assembly Instruction For CASCADE QUEEN PANEL BED 20093395 / 20093400

STEP 2



COMPLETED





WARNING: To avoid serious personal injury:

- Carefully and strictly follow assembly instructions. Improper assembly of furniture can result in structural failure, instability of the product, or tip-over.
- Monitor and carefully control the assembly components. These include small parts and hardware that may present a choking hazard to small children. Bob's furniture should be assembled only by responsible adults and children should not be involved in the assembly process.
- Where provided, wall mounting hardware should always be used as prescribed in these instructions to anchor furniture to wall. Proper use of the wall mounting hardware can significantly reduce the potential for furniture tip-over and crushing injuries.