

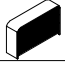
# Assembly Instruction For



## CASCADE DRESSER & MIRROR

20093392 / 20093397

**⚠ WARNING: To avoid serious personal injury:**

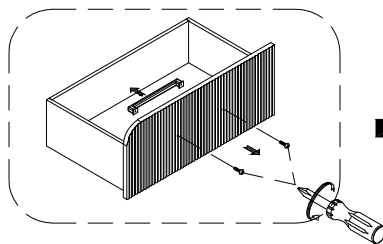
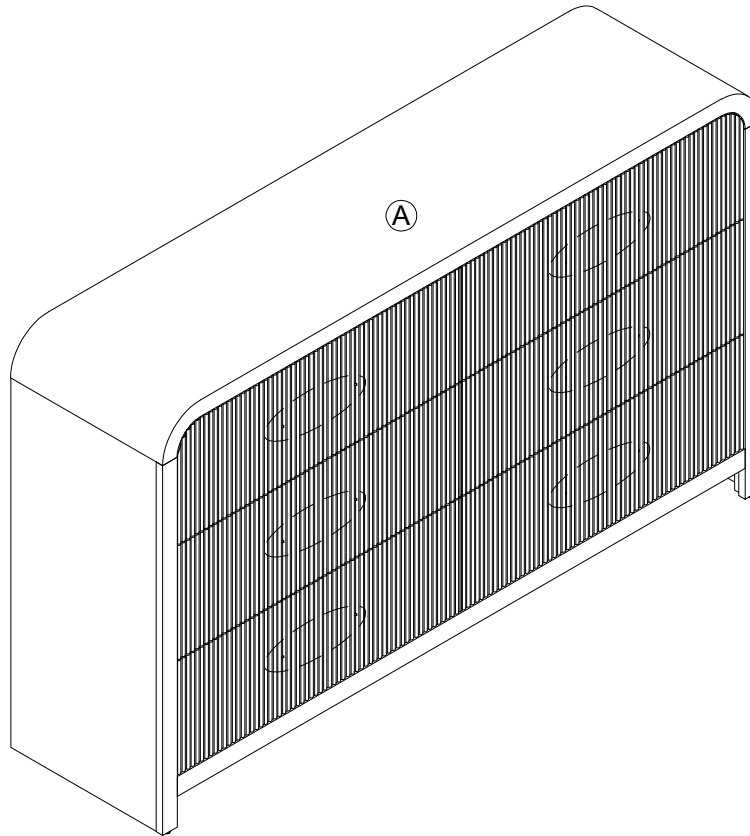
- Carefully and strictly follow assembly instructions. Improper assembly of furniture can result in structural failure, instability of the product, or tip-over.
- Monitor and carefully control the assembly components. These include small parts and hardware that may present a choking hazard to small children.
- Bob's furniture should be assembled only by responsible adults and children should not be involved in the assembly process.
- Where provided, wall mounting hardware should always be used as prescribed in these instructions to anchor furniture to walls. Proper use of the wall mounting hardware can significantly reduce the potential for furniture tip-over and crushing injuries.

| PART LIST |   |                              |      |
|-----------|---|------------------------------|------|
| NO.       | PART DESC   | CODE                         | Q'TY |
| A         |  DRESSER | B-14820-6-DR<br>B-14820-8-DR | 1    |

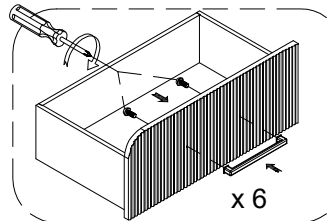
| HARDWARE LIST |   |            |      |
|---------------|---|------------|------|
| NO.           | HARDWARE DESC   | CODE       | Q'TY |
| 1             |  SCREW-DRIVER (NOT PROVIDED) |            |      |
| 2             |  ANTI-TIP KIT - METAL (SET)  | P-ATKNCT-M | 1    |

⚠ Only tighten all bolts when all bolts aligned with bolt inserts.

**STEP 1**



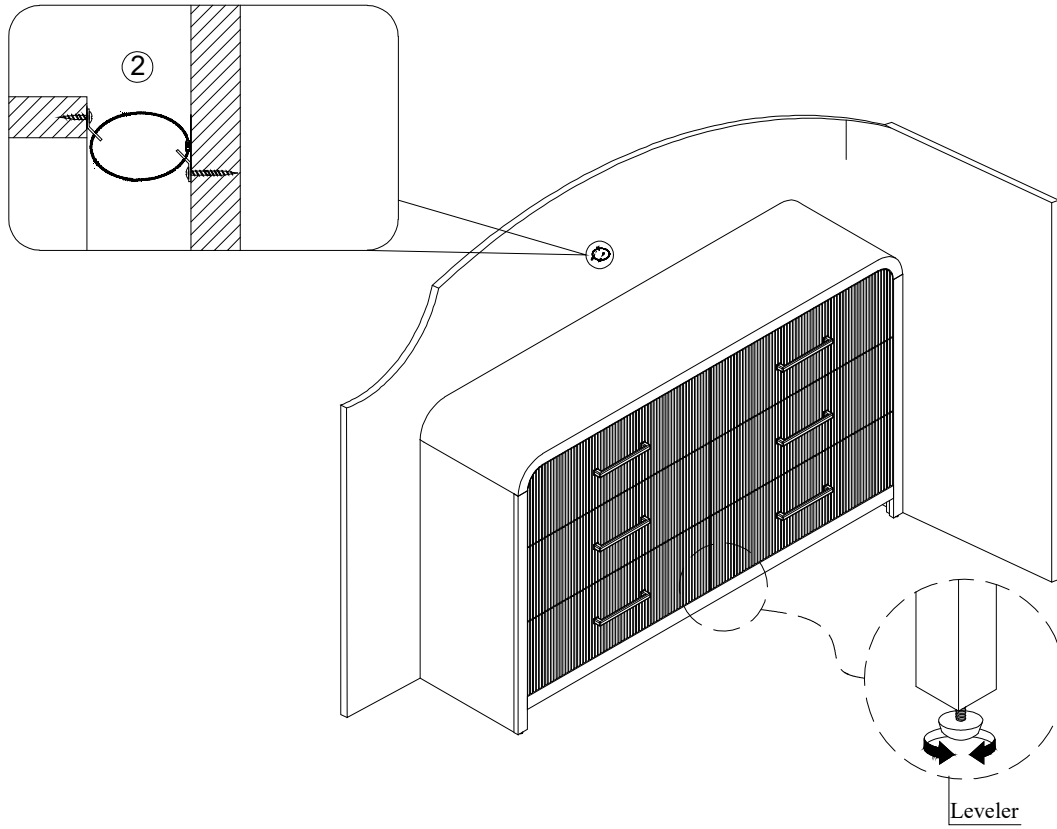
REMOVE HANDLE FROM  
INSIDE DRAWER



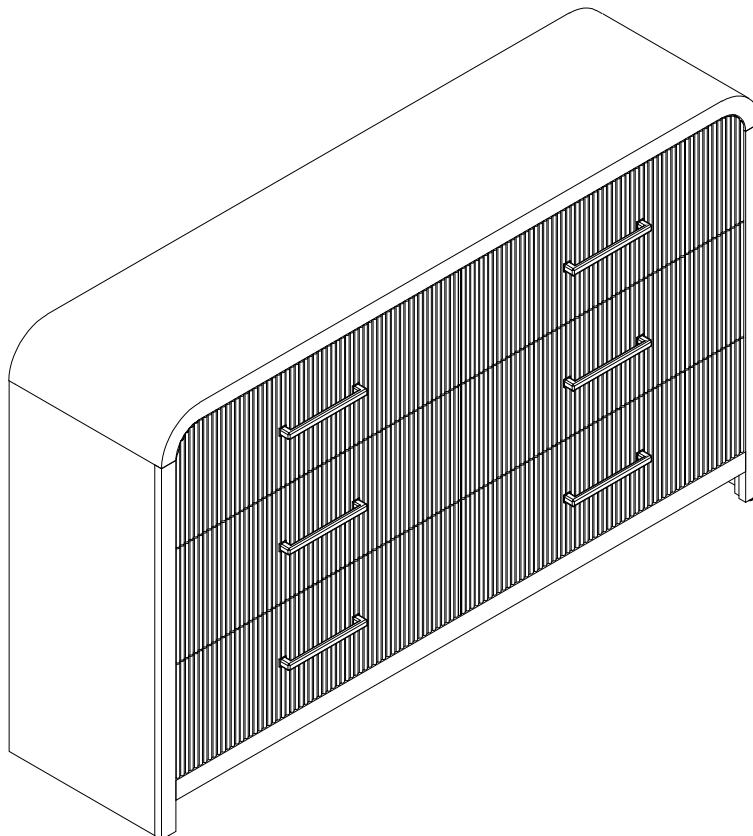
REATTACH HANDLE TO  
OUTSIDE OF DRAWER  
x 6

**Assembly Instruction For**  
**CASCADE DRESSER & MIRROR**  
20093392 / 20093397

STEP 2



COMPLETED

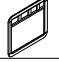









# Assembly Instruction For CASCADE DRESSER & MIRROR

20093392 / 20093397

**⚠ WARNING: To avoid serious personal injury:**

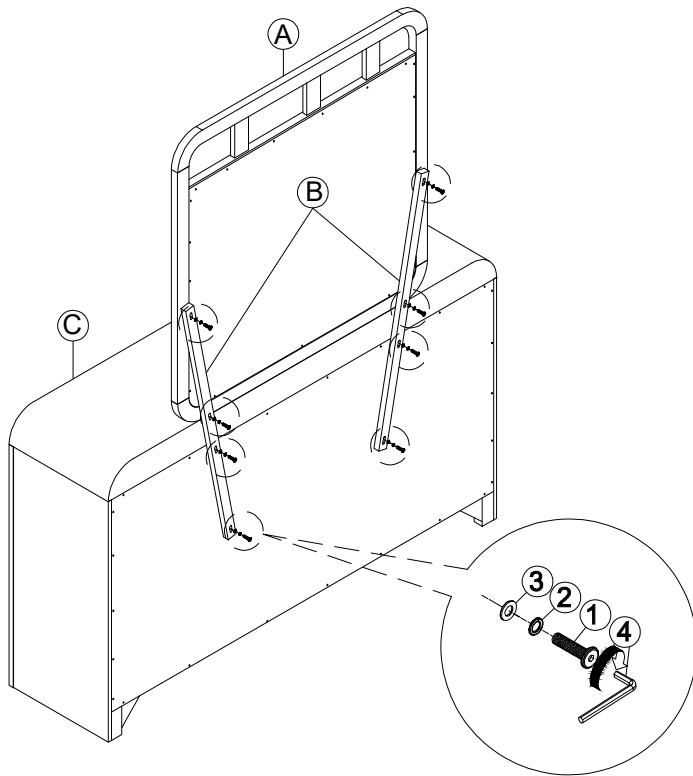
- Carefully and strictly follow assembly instructions. Improper assembly of furniture can result in structural failure, instability of the product, or tip-over.
- Monitor and carefully control the assembly components. These include small parts and hardware that may present a choking hazard to small children. Bob's furniture should be assembled only by responsible adults and children should not be involved in the assembly process.
- Where provided, wall mounting hardware should always be used as prescribed in these instructions to anchor furniture to walls. Proper use of the wall mounting hardware can significantly reduce the potential for furniture tip-over and crushing injuries.

| PART LIST |   |                              |      |
|-----------|---|------------------------------|------|
| NO.       | PART DESC   | CODE                         | Q'TY |
| A         |  MIRROR        | B-14820-6-MR<br>B-14820-8-MR | 1    |
| B         |  SUPPORT SLATS | PB-14820-MRSLT               | 2    |
| C         |  DRESSER       | B-14820-6-DR<br>B-14820-8-DR | 1    |

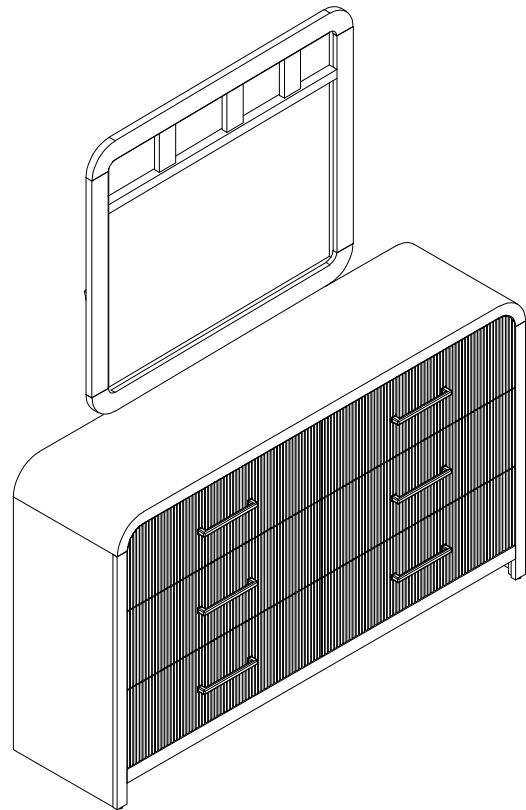
| HARDWARE LIST |  |               |      |
|---------------|--|---------------|------|
| NO.           | HARDWARE DESC  | CODE          | Q'TY |
| 1             |  JCBB BOLT (1/4" x 1" 5/8)  | PB-14820-MRHW | 8    |
| 2             |  SPRING WASHER (1/4")       |               | 8    |
| 3             |  FLAT WASHER (1/4" x 5/8")  |               | 8    |
| 4             |  ALLEN KEY(5/32")           |               | 1    |
| 5             |  SCREW-DRIVER(NOT PROVIDED) |               |      |

**⚠ Only tighten all bolts when all bolts aligned with bolt inserts.**

**STEP 1**



**COMPLETED**





**WARNING: To avoid serious personal injury:**

- Carefully and strictly follow assembly instructions. Improper assembly of furniture can result in structural failure, instability of the product, or tip-over.
- Monitor and carefully control the assembly components. These include small parts and hardware that may present a choking hazard to small children. Bob's furniture should be assembled only by responsible adults and children should not be involved in the assembly process.
- Where provided, wall mounting hardware should always be used as prescribed in these instructions to anchor furniture to wall. Proper use of the wall mounting hardware can significantly reduce the potential for furniture tip-over and crushing injuries.